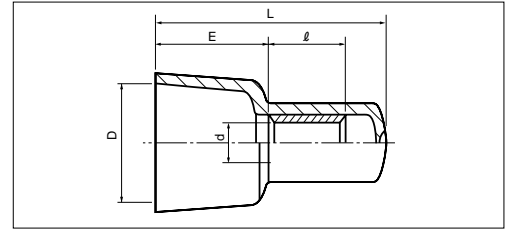


CLOSED END CONNECTORS (CE TYPE)



JIS C 2807



B

PART NUMBER		DIMENSIONS mm					WIRE RANGE		TOOL No.		INS	COLOR	STD QTY/BOX
		d	D	L	l	E	mm ²	AWG	Hand/others	Pneumatic			
CE 1	●	2.4	6.5	18.0	6.2	8.8	0.5 ~ 1.75	22-16	NH 37 NH 63 (For CE-2) NBC 55	N3 34 N3 36 (Body) NA 3 (Dies) N3 14	Nylon	Milky White	1,000 (100 x 10)
CE 2	●	3.1	8.0	20.0	6.9	9.6	1.0 ~ 3.0	16-14					
CE 5	●	3.9	10.5	28.0	7.2	10.8	2.5 ~ 6.0	12-10					
CE 8	●	4.8	12.0	24.5	8.2	11.9	4.0 ~ 9.0	8	NH 36	500 (100 x 5)			

NOTE 1) ● : JIS · UL · CSA

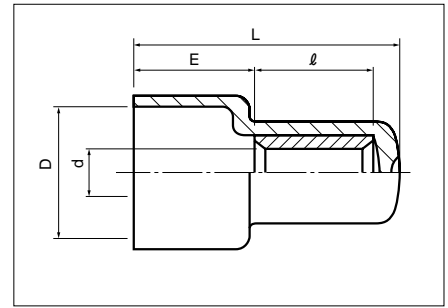
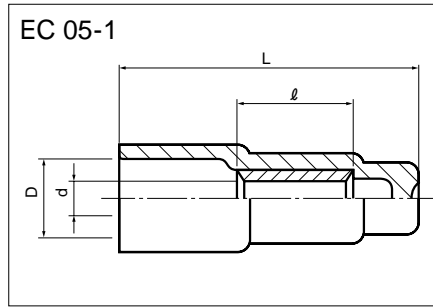
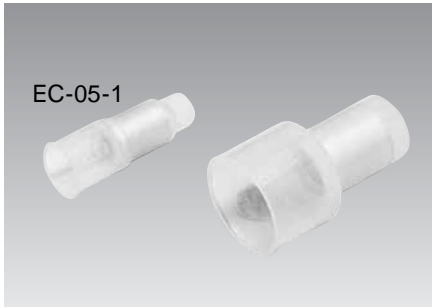
2) For UL/CSA, see tool chart. (Page 127)

WIRE COMBINATIONS CHART

See next page for 'How to use this chart'

PART NUMBER	WIRE RANGE mm ² (AWG)	WIRE A mm ² (AWG)	WIRE B mm ² (AWG)							
			0.3(22)	0.5(20)	0.75(18)	1.25(16)	2.0(14)	3.5(12)	5.5(10)	
CE 1	0.5 ~ 1.75 (22-16)	0.3(22)	1	1-3	1-2	1	1	—	—	—
			2	0-2	1-2	1	—	—	—	—
			3	0-1	1	1	—	—	—	—
		0.5(20)	1	1-3	1-2	1	1	—	—	—
			2	1-2	0-1	—	—	—	—	—
CE 2	1.0 ~ 3.0 (16-14)	0.3(22)	1	3-7	2-4	1-2	1-2	1	—	—
			2	2-6	1-3	1-2	1	1	—	—
			3	1-5	1-3	1-2	1	1	—	—
		0.5(20)	1	2-6	1-4	1-2	1-2	1	—	—
			2	1-5	0-3	1-2	1	1	—	—
CE 5	2.5 ~ 6.0 (12-10)	0.3(22)	1	7-9	5-9	3-6	2-3	2	1	1
			2	6-8	4-8	3-6	2-3	1	1	—
			3	5-7	4-7	3-5	2	1	1	—
		0.5(20)	1	7-8	4-8	3-5	2-3	1-2	1	1
			2	5-7	3-7	2-4	1-2	1-2	1	—
CE 8	4.0 ~ 9.0 (8)	0.75(18)	1	6-8	4-7	3-5	2-3	1-2	1	—
			2	4-6	1-5	2-4	1-2	1-2	1	—
			3	1-5	1-3	1-3	1-2	1	1	—
		1.25(16)	1	5-8	3-4	2-4	1-2	1-2	1	—
			2	1-6	1-3	1-2	0-1	1	—	—

CLOSED END CONNECTORS (EC TYPE)



B

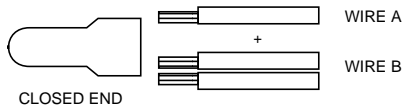


PART NUMBER	DIMENSIONS mm					WIRE RANGE		TOOL No.		INS	COLOR	STD QTY/BOX	
	d	D	L	l	E	mm ²	AWG	Hand/others	Pneumatic				
EC 05-1	1.6	3.5	13.0	5.0	5.1	0.13 ~ 0.9	26-18	NH 5	NA 3	N3 5	Nylon	Milky White	
EC 1-1	2.2	6.2	15.2	7.8	5.7	0.5 ~ 1.65	22-16	NH 37 NH-63 EC2-2 (For EC2-3) NBC 55	(Body) NA 3 (Dies) N3 14	N3 34			2,000 (1,000 x 2)
EC 2-2		7.9	16.5	8.0	7.0	1.0 ~ 2.63	16-14						1,000 (100 x 10)
EC 2-3	3.1	8.0	23.0	7.5	9.2	1.0 ~ 3.0							500 (100 x 5)
EC 3-1	3.5	9.4	19.0	8.6	8.1	2.63 ~ 6.64	12-10						

NOTE 1) ○ : For UL/CSA, see tool chart. (Page 127)

WIRE COMBINATIONS CHART

How to use this chart.



- 1 . First, choose your wire size from column A and also choose the number of wires that the wire size allows from Column A.
- 2 . Second, choose a wire size from column B located at the top of the chart.

- 3 . Next, using the wire size and number of wires from column A and wire size from column B, find the cross section of the chart to find the number of wire in column B.
- 4 . Finally, add the total number of wires from column A and the total number of wires from column B. This number is the total number of wire combinations allowable for wire size A and wire size B.

PART NUMBER	WIRE COMBINATION mm ²	WIRE A		WIRE B mm ² (AWG)				
		mm ² (AWG)	PCS	0.5(20)	0.75(18)	1.25(16)	2.0(14)	3.5(12)
EC 1-1	0.5 ~ 1.65	0.3(22)	1	1 ~ 2	1	—	—	—
		0.5(20)		1 ~ 2	1	—	—	—
		0.75(18)		1	1	—	—	—
EC 2-2	1.0 ~ 2.63	0.5(20)	1	1 ~ 3	1 ~ 2	1	—	—
		0.75(18)		1 ~ 3	1	1	—	—
		1.25(16)		1 ~ 2	1	1	—	—
		0.5(20)	2	0 ~ 2	1	1	—	—
EC 2-3	1.0 ~ 3.0	0.5(20)	1	1 ~ 3	1 ~ 3	1 ~ 2	1	—
		0.75(18)		1 ~ 3	1 ~ 2	1 ~ 2	1	—
		1.25(16)		1 ~ 3	1 ~ 2	1	1	—
		2.0(14)		1 ~ 2	1	—	—	—
		0.5(20)	2	0 ~ 2	1 ~ 2	1	—	—
EC 3-1	2.63 ~ 6.64	0.5(20)	1	5	3 ~ 5	2 ~ 3	2	1
		0.75(18)		4 ~ 5	3 ~ 4	2 ~ 3	1 ~ 2	1
		1.25(16)		3 ~ 4	2 ~ 4	1 ~ 2	1	1
		2.0(14)		2 ~ 4	1 ~ 3	1 ~ 2	1	1
		3.5(12)	1 ~ 3	1 ~ 2	1	—	—	
		0.5(20)	2	4	3 ~ 4	2	1	1
		0.75(18)		3 ~ 4	2 ~ 3	1 ~ 2	1	1
		1.25(16)		1 ~ 3	1 ~ 2	0 ~ 1	1	—