

10/100 BASE DUAL PORT TRANSFORMERS



- Compliant with IEEE802.3u and ANSI X3.263 standards including 350uH OCL with 8mA Bias.
- Symmetrical TX and RX channels for Auto MDI/MDIX capability.
- Compliance with ROHS requirements.
- Operating temperature range :0 to +70 .
- Storage temperature range: -25 to +85 .

Electrical Specifications @ 25

Part Number	Turns Ratio(±5%)		OCL(μ H Min) @100KHz/0.1V with 8mA DC/Bias	$C_{w/w}$ (pF Max)	Insulation Resistance (M Ω) @ 50V _{DC}	DCR (Ω Max) TX/RX	Mech	HI-POT (V _{rms})
	TX	RX						
20PT1021A LF	1CT:1CT	1:1	350	28	-	0.9	DP1	1500
20PT1021FX ¹ LF	1CT:1CT	1CT:1CT	350	50	-	-	DP1	1500
20PT1021IX ¹ LF	1CT:1CT	1CT:1CT	350	50	-	0.9	DP1	1500
20PT1021IZ LF	1CT:1CT	1CT:1CT	350	50	-	0.9	DP1	1500
20PT1021SX ¹ LF	1CT:1CT	1CT:1CT	350	50	-	0.9	DP2	1500
20PT1024BX ¹ LF	1CT:1CT	1CT:1CT	350	50	-	-	DP1	1500
20PT1024X ¹ LF	1CT:1CT	1CT:1CT	350	56	10,000	0.9	DP1	1500
20PT1124X ¹ LF	1CT:1CT	1CT:1CT	350	50	10,000	0.9	DP1	1500

Continue

Part Number	Insertion Loss (dB Max)	Return Loss (dB Min)					Cross talk (dB Min)	DCMR (dB Min)
		0.3-100MHz	0.3-30MHz	40 MHz	30-60MHz	50MHz		
20PT1021A LF	-1.15	-18	-	-14	-	-12	-35	-30
20PT1021FX ¹ LF	-1.15	-18	-	-14	-	-12	-35	-30
20PT1021IX ¹ LF	-1.15	-18	-	-14	-	-12	-35	-30
20PT1021IZ LF	-1.15	-18	-	-14	-	-12	-35	-30
20PT1021SX ¹ LF	-1.15	-18	-	-14-14	-	-12	-35	-30
20PT1024BX ¹ LF	-1.1	-18	-15	-	-13	-12	-35	-30
20PT1024X ¹ LF	-1.1	-18	-	-14	-	-12	-35	-30
20PT1124X ¹ LF	-1.1	-18	-	-14	-	-12	-35	-30

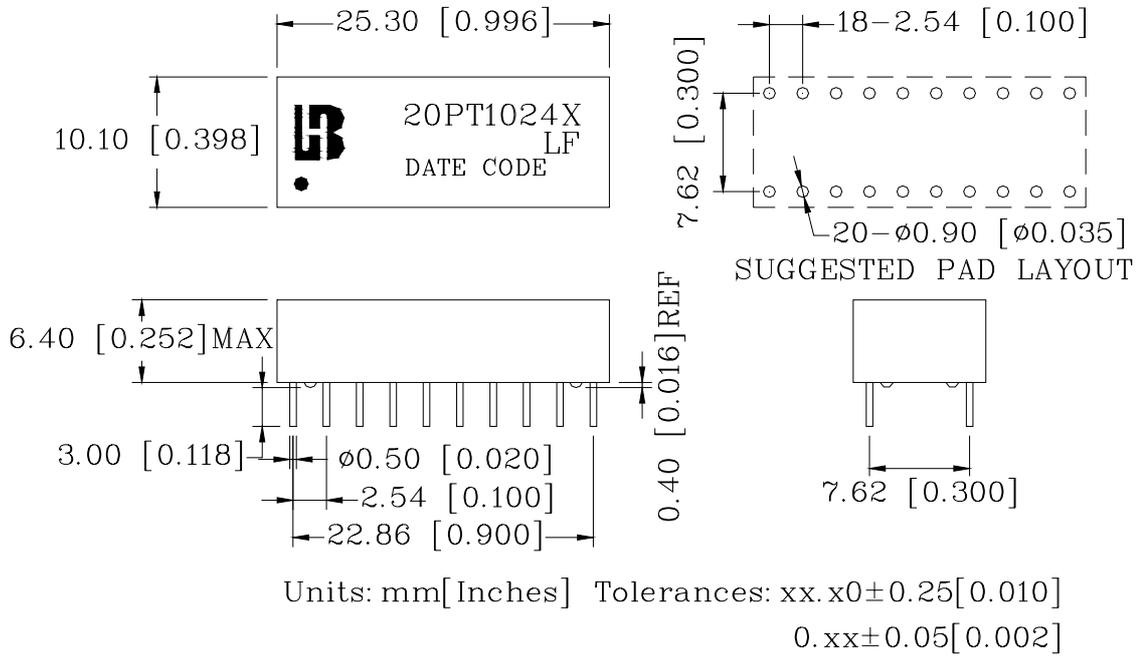
NOTE:

1. Symmetrical TX and RX channels for Auto MDI/MDIX capability.

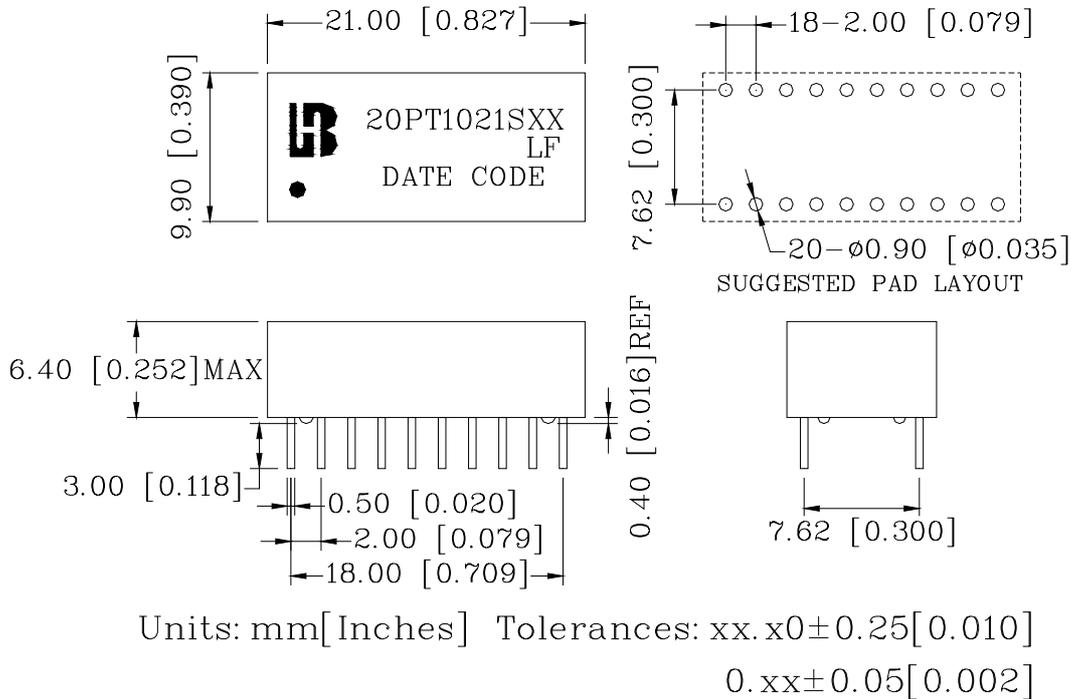
For customized parts or more detailed information, please log on www.bothhandusa.com or write to sales@bothhandusa.com

Mechanicals

DP1



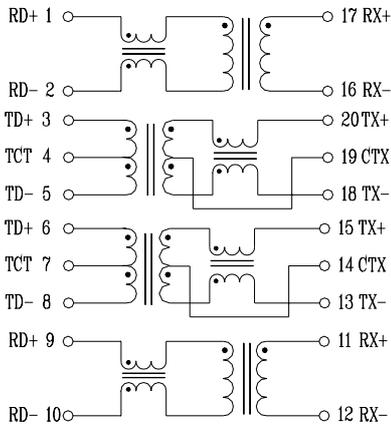
DP2



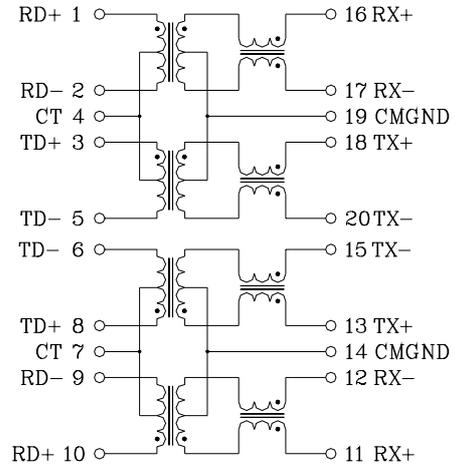
Specification	Packing Manner	Q'ty per Tube/Reel	Q'ty/ Inner box	Q'ty/ Carton
DP1	TUBE	20	1000	4000
DP2	TUBE	24	1200	4800

Schematics

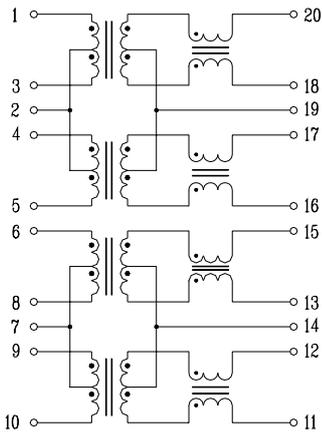
20PT1021A LF



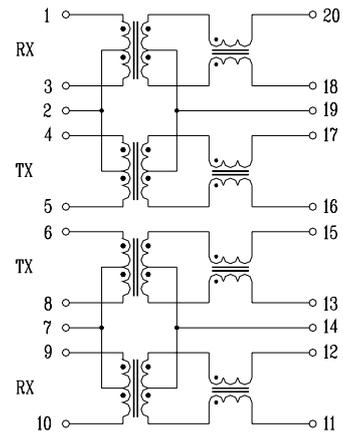
20PT1021FX LF



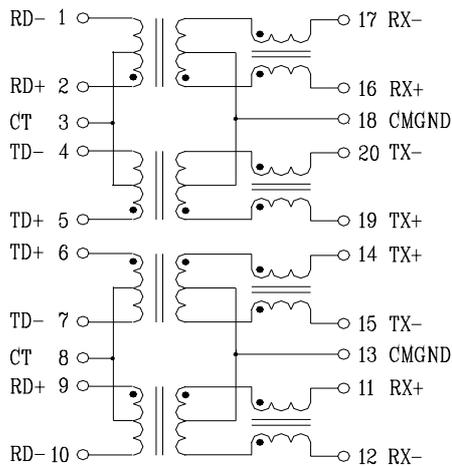
20PT1021IX LF



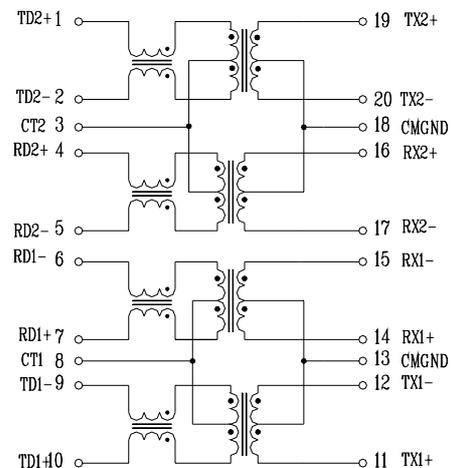
20PT1021IZ LF



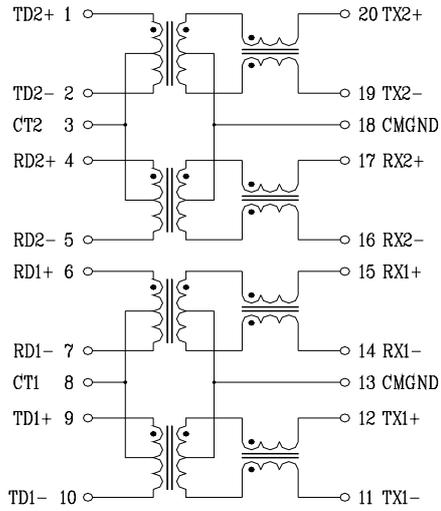
20PT1021SX LF



20PT1024BX LF



20PT1024X LF



20PT1124X LF

