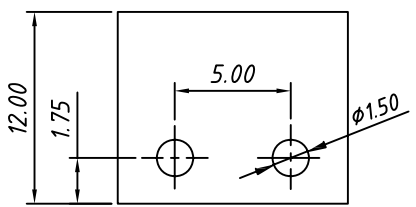


SECTION A-A



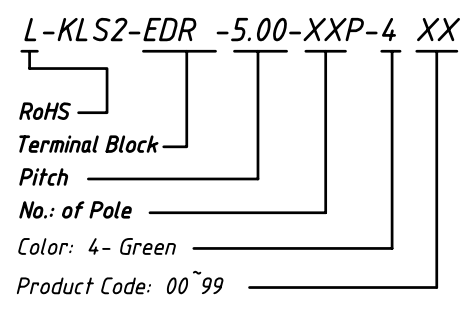
PCB LAYOUT

**Material**  
 Pin header: Brass, Tin plated  
 Housing: PA66, UL94V-0

**Electrical**  
 Rated voltage: 300V  
 Rated current: 15A  
 Contact Resistance: 20 mΩ  
 Insulation resistance: 500MΩ/DC500V  
 Withstand voltage: AC2000V / 1 min

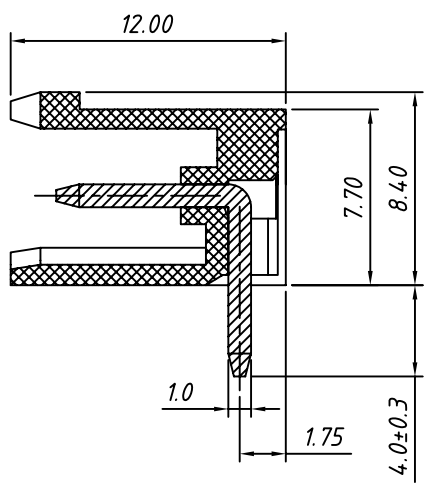
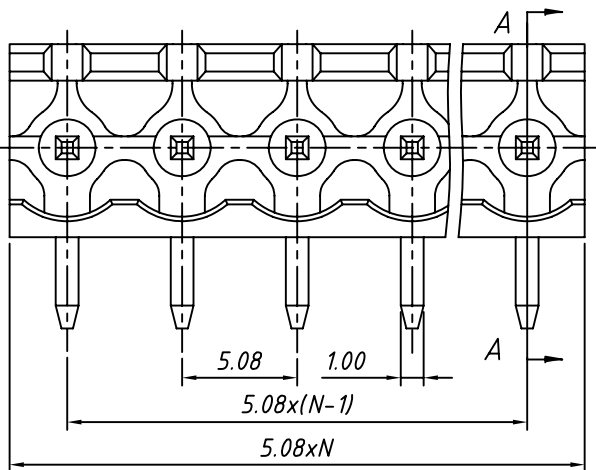
**Mechanical**  
 Temp. Range: -40 °C ~ +105 °C  
 Soldering: 250°C 5Sec. Max.

**Order Information**

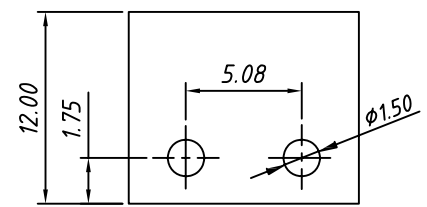


GENERAL TOLERANCE		ANGLE TOLERANCE		PROJECTION	Description:
.X ±0.60	.X ±5°	.X ±0.38	.X ±3°	UNITS	Plug-in TERM BLOCK 5.00MM
.XX ±0.25	.XX ±2°			SHEET SIZE	
				KLS P/N:	
Draw by: Date		2015-09-01		KLS2-EDR-5.00-XXP-4	
Check by: Date		2015-09-15			
SCALE		SHEET	OF		

**KLS ELECTRONIC CO., LTD.**



SECTION A-A



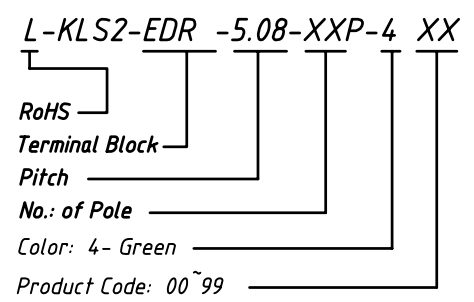
PCB LAYOUT

**Material**  
 Pin header: Brass, Tin plated  
 Housing: PA66, UL94V-0

**Electrical**  
 Rated voltage: 300V  
 Rated current: 15A  
 Contact Resistance: 20 mΩ  
 Insulation resistance: 500MΩ/DC500V  
 Withstand voltage: AC2000V / 1 min

**Mechanical**  
 Temp. Range: -40 °C ~ +105 °C  
 Soldering: 250°C 5Sec. Max.

**Order Information**



GENERAL TOLERANCE		ANGLE TOLERANCE		PROJECTION	Description:
X.	±0.60	X.	±5°	UNITS	Plug-in TERM BLOCK 5.08MM
.X	±0.38	.X	±3°	SHEET SIZE	
.XX	±0.25	.XX	±2°	KLS P/N:	
Draw by: Date		2015-09-01		KLS2-EDR-5.08-XXP-4	
Check by: Date		2015-09-15			

**KLS ELECTRONIC CO., LTD.**