

**Material**  
**Housing:** PA66, UL 94V-0  
**Pin header:** Brass, Tin plated

**Electrical**  
**Rated voltage:** 300V  
**Rated current:** 8A  
**Contact Resistance:** 20 mΩ  
**Insulation resistance:** 500MΩ/DC500V  
**Withstand voltage:** AC2000V / 1 min

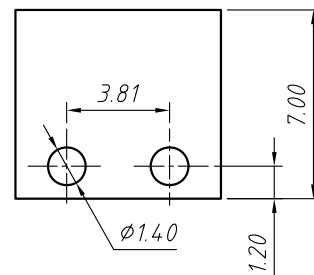
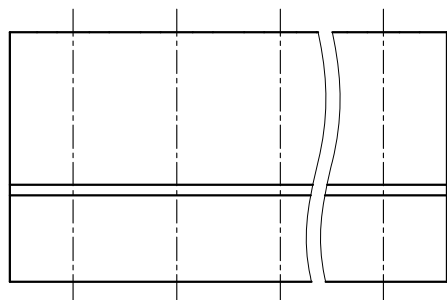
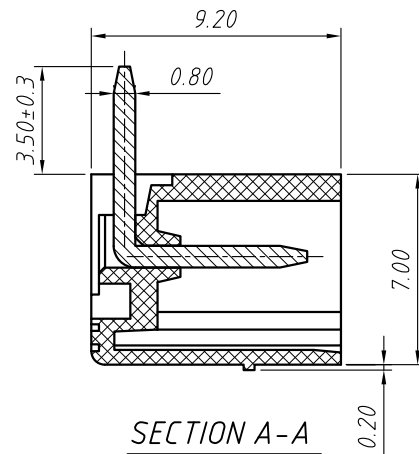
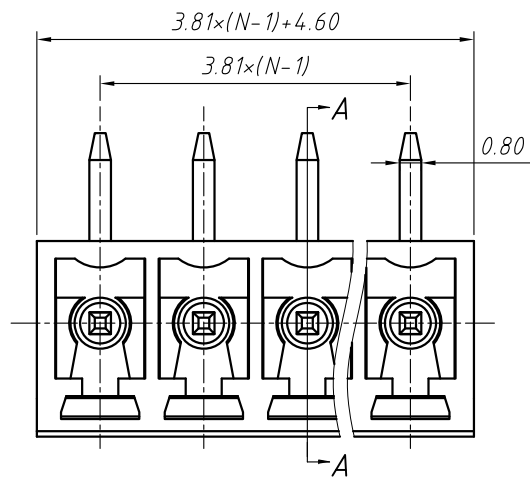
**Mechanical**  
**Temp. Range:** -40 °C ~ +105 °C

**Order Information**

L-KLS2-EDR-3.50-XXP-4 00

RoHS  
Terminal Block  
Pitch  
No.: of Pole  
Color: 4- Green  
Product Code: 00 ~ 99

| GENERAL TOLERANCE |            | ANGLE TOLERANCE |    | Description:                    |                        |
|-------------------|------------|-----------------|----|---------------------------------|------------------------|
| X. ±0.60          |            | X. ±5°          |    | Pluggable Terminal Block 3.5 MM |                        |
| .X ±0.38          |            | .X ±3°          |    | KLS P/N:                        | KLS2-EDR-3.50-XXP-4-00 |
| .XX ±0.25         |            | .XX ±2°         |    |                                 |                        |
| Draw by           | 2015-09-01 | PROJECTION      |    | NingBo KLS ELECTRONIC CO.,L TD. |                        |
| Check by          | 2015-09-15 | UNITS           | mm |                                 |                        |
| SCALE             |            | SHEET SIZE      | A4 |                                 |                        |





**Material**  
**Housing:** PA66, UL94V-0  
**Pin header:** Brass, Tin plated

**Electrical**  
**Rated voltage:** 300V  
**Rated current:** 8A  
**Contact Resistance:** 20 mΩ  
**Insulation resistance:** 500MΩ/DC500V  
**Withstand voltage:** AC2000V / 1 min

**Mechanical**  
**Temp. Range:** -40 °C ~ +105 °C

**Order Information**

L-KLS2-EDR-3.81-XXP-4 00  
 RoHS  
 Terminal Block  
 Pitch  
 No.: of Pole  
 Color: 4- Green  
 Product Code: 00~99

| GENERAL TOLERANCE |            | ANGLE TOLERANCE |   | Description:  |                        |
|-------------------|------------|-----------------|---|---|------------------------|
| X. ±0.60          |            | X. ±5°          |   | Pluggable Terminal Block 3.81 MM  |                        |
| .X ±0.38          |            | .X ±3°          |   | KLS P/N:  | KLS2-EDR-3.81-XXP-4-00 |
| .XX ±0.25         |            | .XX ±2°         |   |  NingBo KLS ELECTRONIC CO.,L TD. |                        |
| Draw by           | 2015-09-01 | PROJECTION      |  |   |                        |
| Check by          | 2015-09-15 | UNITS           | mm  |   |                        |
| SCALE             |            | SHEET SIZE      | A4  |   |                        |