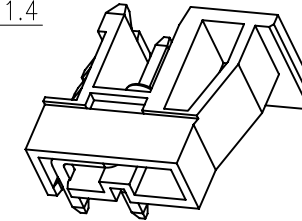
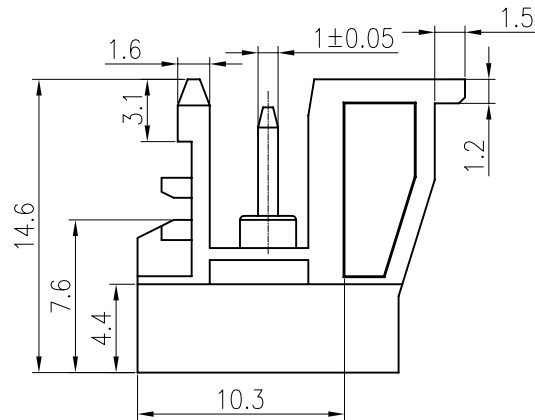
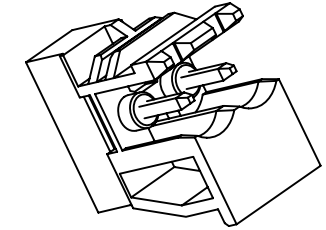
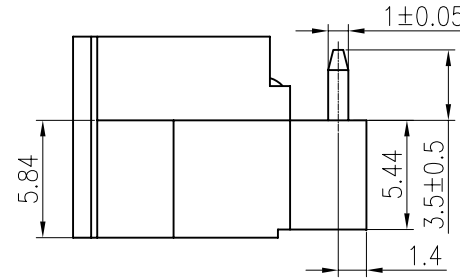
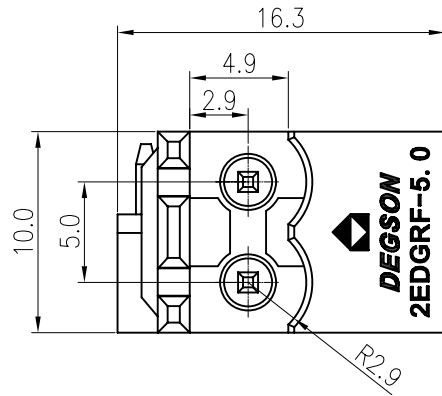


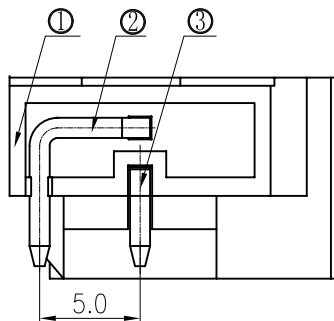
REVISION RECORD				
REV	ECO	DESCRIPTION	DRFT	DATE



Notes:

1. pitch: 5.0mm poles:2p
2. Rated voltage: 300V
3. Rated current: 15A
4. Withstanding voltage: AC2000V/1Min
5. Insulation resistance:5000MΩ/DC1000V
6. Temp. Range: -40° C~+105° C
7. Undimensioned Tolerances:

Pitch range in mm		Nominal dimension range in mm				
over 6	over 10	over 30	over 60	over 100	over 150	∩
to 6	to 10	to 30	to 60	to 100	to 150	∇
±0.10	±0.15	±0.25	±0.2	±0.3	±0.5	±0.7 ±1.0 0.05/10



3	2EDGRF-5.0 pin1	1090B00010 (H)	1	Copper	SnCe
2	2EDGLF-5.0 pin2	1090B00050 (H)	1	Brass	SnCe

1	2EDGRF-5.0-02P-Housing	1090A0502A (H)	1	PA66	UL94V-0
ITEM	NAME OF PART	NO. OF PART	Q'TY	MATERIAL	NOTES
DETACHED LISTS	MM (INCH)	DFTO Yangys	DATE 10/06/06"	宁波高正电子有限公司 DEGSON ELECTRONICS CO., LTD NAME 2EDGRF-5.0-02P-15-00A (H)	
	TOLERANCES EXCEPT AS NOTED	CHKD	DATE		
		MFO	DATE		
		APPVL	DATE		
		MATERIAL :			
	ANGLES ± 1°	G.E :		DRAWING NO. 2EDGRF-5.0-E02	SIZE A3
	THIRD ANGLE PROJECTION	FINISH :		/PART NO.	REV TO 10/19/07"
		SCALE : 1:1		DO NOT SCALE DRAWING	SHEET 1 OF 1