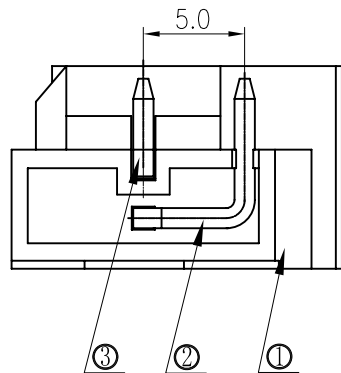
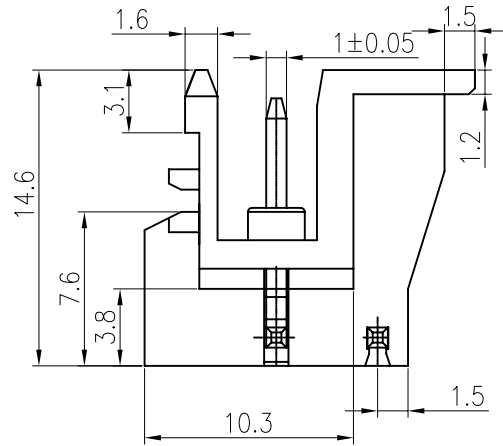
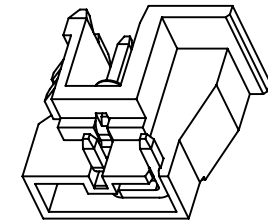
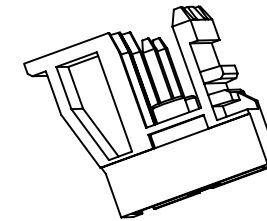
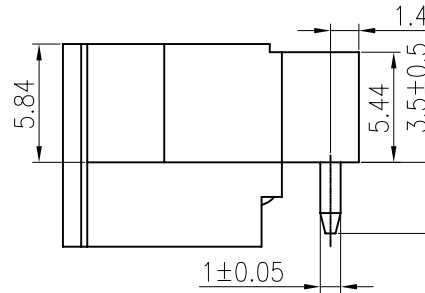
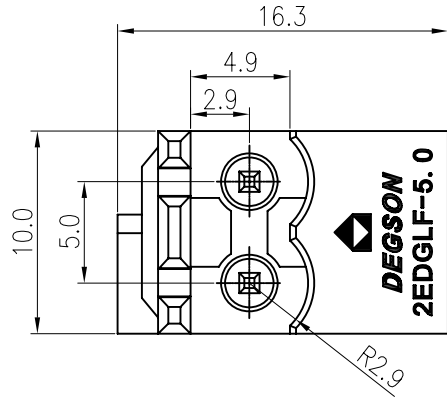


REVISION RECORD				
REV	ECO	DESCRIPTION	DRFT	DATE
▲		品名、料号增加环保标示“(H)”	LJH	12/11/07



Notes:

1. pitch: 5.0mm poles:2p
2. Rated voltage: 300V
3. Rated current: 15A
4. Withstanding voltage: AC2000V/1min
5. Insulation resistance: 5000MΩ/DC1000V
6. Temp. Range: -40° C ~ +105° C
7. Undimensioned Tolerances:

Pitch range in mm		Nominal dimension range in mm				
to 6	over 6 to 10	to 30	over 30 to 60	over 60 to 100	over 100 to 150	—
±0.10	±0.15	±0.25	±0.2	±0.3	±0.5	±0.7 ± 1.0 0.05/10

3	2EDGRF-5.0 pin1	1090B00010 (H)	1	Copper	SnCe
2	2EDGLF-5.0 pin2	1090B00050 (H)	1	Brass	SnCe

1	2EDGLF-5.0-02P-Housing	1090A0Y02C (H)	1	PA66	UL94V-0
ITEM	NAME OF PART	NO. OF PART	Q'TY	MATERIAL	NOTES
DETACHED LISTS	MM (INCH)	DFTO Yangys	DATE 05/07/07	宁波高正电子有限公司 DEGSON ELECTRONICS CO., LTD NAME 2EDGLF-5.0-02P-1Y-00A (H) DRAWING NO. 2EDGLF-5.0-E01 /PART NO. SIZE A3 REV T1 12/11/07	
	TOLERANCES EXCEPT AS NOTED	CHKD	DATE		
	MM	MFO	DATE		
	.0 ±	APPVL	DATE		
	.00 ±				
.000 ±	MATERIAL :				
	ANGLES ± 1°	G.E :			
	THIRD ANGLE PROJECTION	FINISH :			
		SCALE : 1:1		DO NOT SCALE DRAWING	SHEET 1 OF 1

8

7

6

5

4

3

2

1

H

G

F

E

D

C

B

A