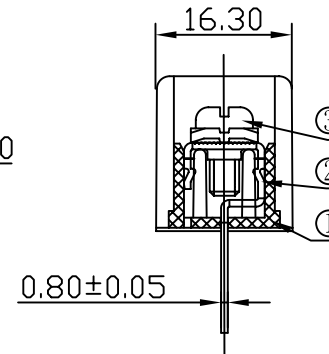
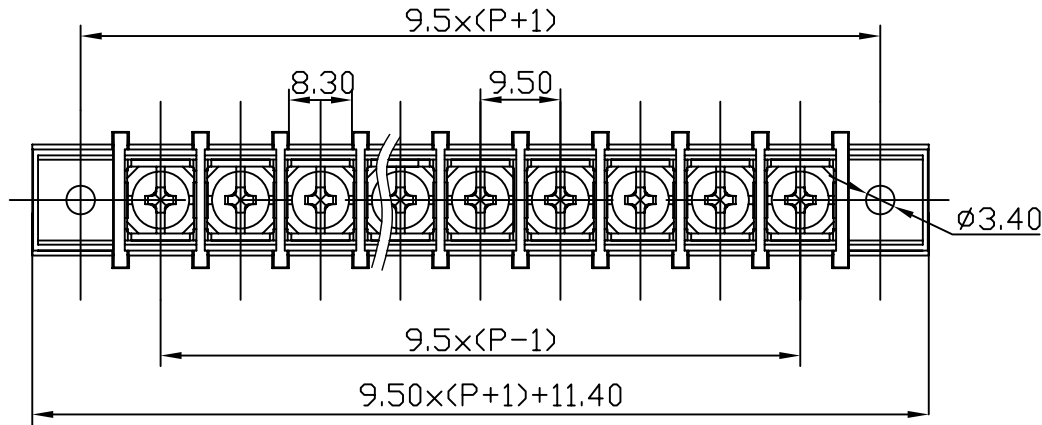


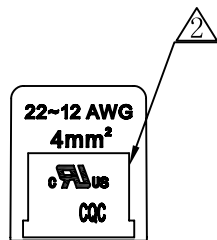
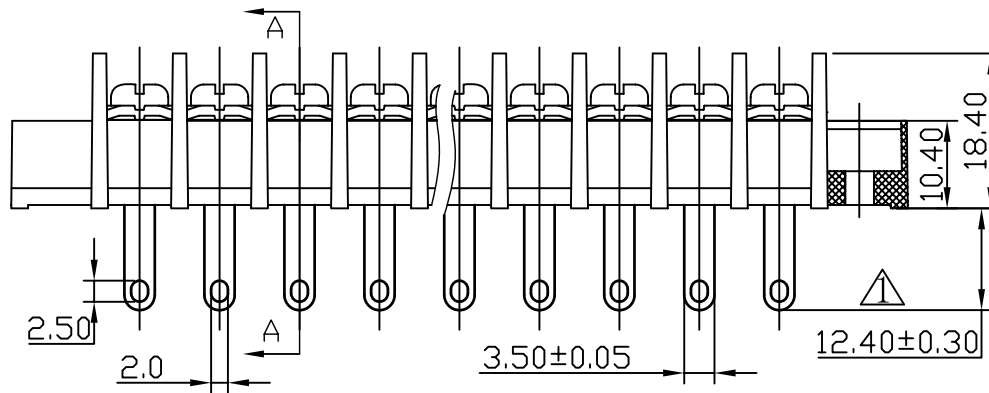
REVISION RECORD					
REV	ECD	DESCRIPTION	DRFT	DATE	
1		出脚尺寸由12.1±0.10mm变为12.1±0.30mm	CSX	06/12/05	
2		增加UL刻字	CSX	07/05/06	
3		品名、料号增加环保标识“00”	YeJ	12/08/07	



Section A-A

Notes:

1. Pitch:9.5mm Poles:2-24P
2. Rated current:25A
3. Rated voltage:300V
4. Operation temperatures:-40° C~+105° C
5. Insulation Withstand Voltage:AC2000V/1Min
6. Insulation Resistance:500MΩ/DC500V
7. Wire Range:22~12AWG
8. Max. Torque Value:12.24kgf.cm
9. Undimensioned Tolerances:



3	4*8 Bright Screws	S000000570 (H)	XX	Steel	Ni Plated
2	DG45H-Pin header	5003B00040 (H)	XX	Brass	SnCe

1	DG45H-A-00A-Housing	5003MOYXXA (H)	1	PA66	UL94V-0
ITEM	NAME OF PART	NO. OF PART	Q"TY	MATERIAL	NOTES
DETACHED LISTS	MM (INCH)	DFTD JANNY	DATE 11/03/03"	宁波高正电子有限公司 DEGSON ELECTRONICS CO., LTD NAME DG45H-A-XXP-1Y-00A(H)	
	TOLERANCES EXCEPT AS NOTED	CHKD	DATE		
	MM	MFD	DATE		
	.0 ±	APPVL	DATE		
.00 ±	MATERIAL :			DRAWING NO. DG45H-E03	
.000 ±	ANGLES ± 1°			/PART NO.	
THIRD ANGLE PROJECTION			G.E :	SIZE A3	REV T3
			FINISH:	12/08/07	
			SCALE : 1:1	DO NOT SCALE DRAWING	SHEET 1 OF 1