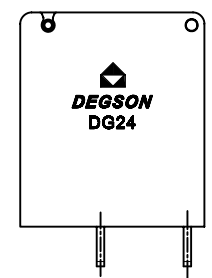
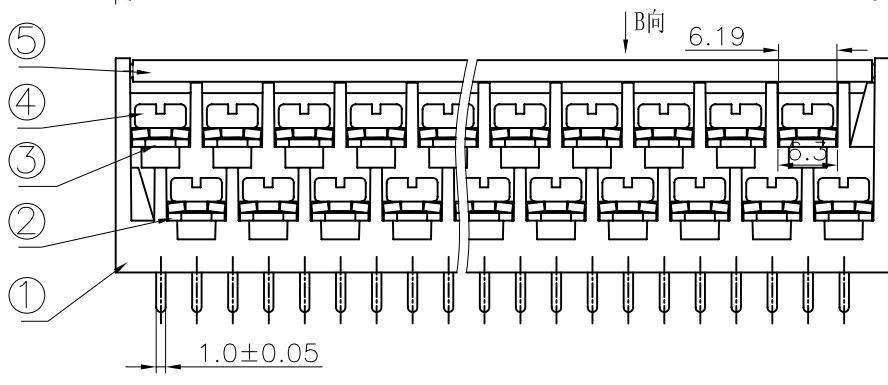
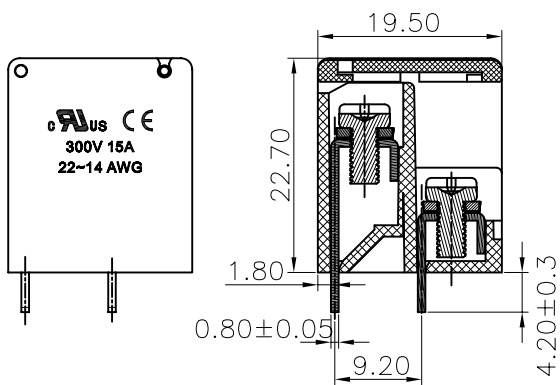
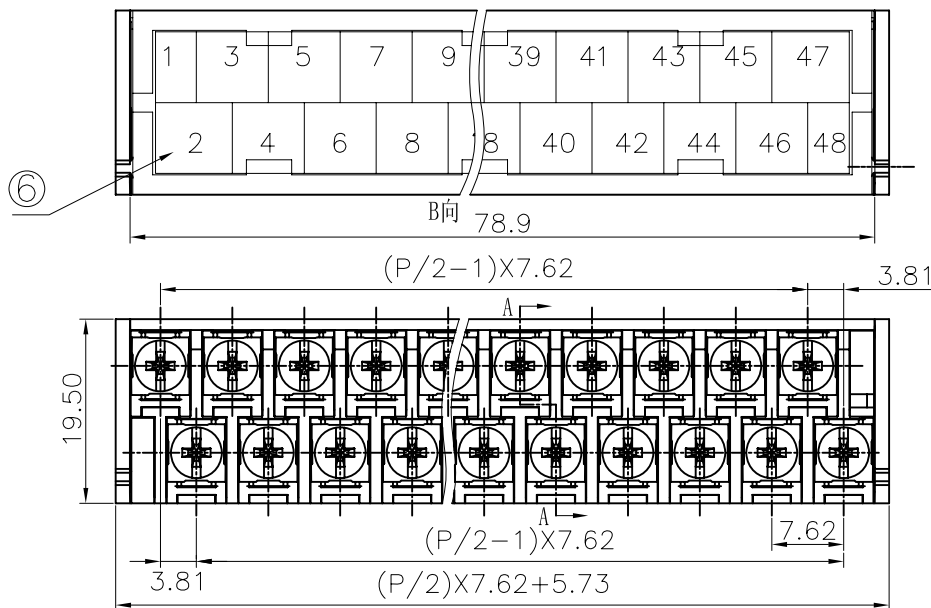


REVISION RECORD				
REV	ECO	DESCRIPTION	DRFT	DATE
△		Drawing revise	WF	12/30/06
△		品名、料号增加环保标识“(H)”	Ye j	12/08/07
△		更新图画	LJH	05/21/08
△		最短线由8P改为6P	YHG	06/16/09
△	0300-004	修改图画	ZYH	07/15/09

Notes:

- Pitch: 7.62mm, \triangle \triangle
Poles: 6, 8, 12, 16, 20, 26, 30, 36, 48P
- Rated voltage/current: UL 300V/15A
IEC 250V/17.5A
- Operation temperatures: -40°C ~ +105°C
- Withstanding Voltage: AC2000V/1Min
- Insulation Resistance: 500MΩ / DC500V
- Wire Range: 14~22AWG, 1.5mm²
- Max. Torque Value: M3, 5.1kgf.cm
- Undimensioned Tolerances:

Pitch range in mm			Nominal dimension range in mm					
to	over	over	to	over	over	over	over	
6	6 to 10	10 to 24	30	30 to 60	60 to 100	100 to 150	150	□
±0.10	±0.15	±0.25	±0.2	±0.3	±0.5	±0.7	±1.0	0.05/10



6	DG24-Label	\triangle 5017TXX001 (H)	1	Paper	
5	DG24-1-B-XXP-17-00A Cover	\triangle 5017C07XXA (H)	1	PC	UL94V-2
4	M3*6 (6*6) Bright screws	S000000450 (H)	XX	Steel	Ni plated
3	DG24-1 Long Pin header	5017B00030 (H)	XX/2	Brass	SnCe plated
2	DG24-1 Short Pin header	5017B00040 (H)	XX/2	Brass	SnCe plated

ITEM	NAME OF PART	NO. OF PART	Q'TY	MATERIAL	NOTES
1	DG24-1-B-XXP-1Y-00A Housing	5017A0YXXA (H)	1	PA66+23%GF	UL94V-0

MM (INCH)	DFTO Zhwmm	DATE 11/14/05
TOLERANCES EXCEPT AS NOTED	CHKD	DATE
	MFO	DATE
	APPVL	DATE
MM	±	
.0 ±	±	
.00 ±	±	
.000 ±	±	
ANGLES ± 1'	G.E :	
THIRD ANGLE PROJECTION	FINISH :	
	SCALE : 1:1	

NAME		DRAWING NO. DG24-1-E01		SIZE	REV
DG24-1-B-XXP-1Y-00A(H)		/PART NO.		A3	T5
DO NOT SCALE DRAWING				SHEET 1	OF 1