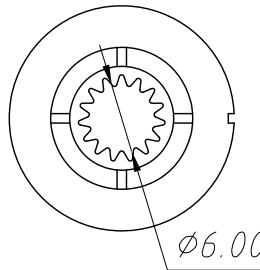
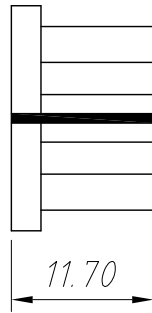
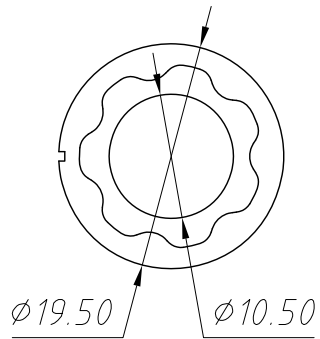
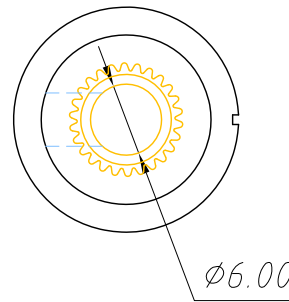
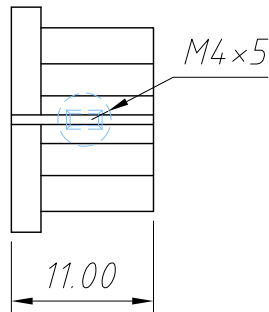
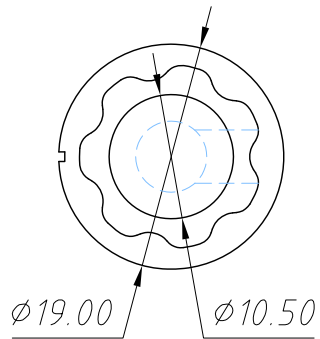


1
RoHS Compliance



Without Copper Shaft

Products Attribute:
 Product category:knobs for potentiometer
 RoHS:RoHS Compliance
 Housing Material: ABS,UL94V-0
 Top Material:Aluminum sheet
 Shaft:With Copper Shaft and Without Copper Shaft
 Color:Y-Yellow W-White R-Red B-Black O-Orange
 Product size:φ19×12mm φ25×18mm φ26×15mm
 Resistance Tolerance:±10%
 Rotation Life:About 15000 Cycles
 Operating Temperature:-10°C ~ +85°C
 Packing:Box-packed

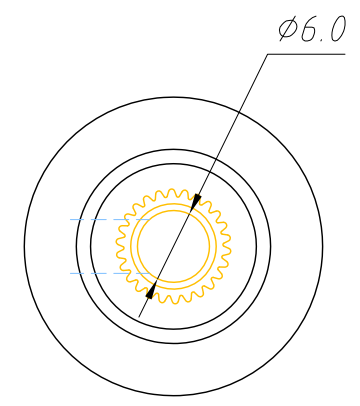
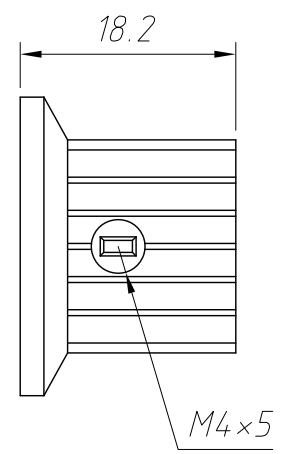
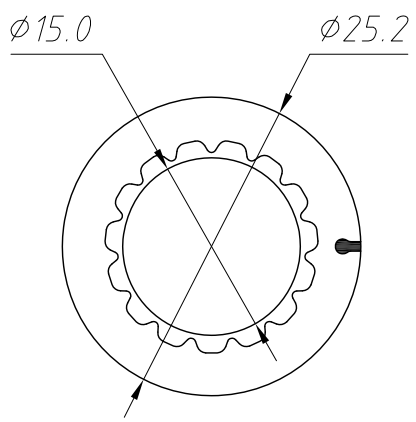


With Copper Shaft

Order Information:
 L-KLS4-PK02-G19-B-S
 L: RoHS
 Pos. No.
 Type:G19,G21,G26
 Color:
 Y-Yellow W-White R-Red
 B-Black O-Orange
 S-With Copper Shaft

ANGLE TOLERANCE	PROJECTION	Description:	knobs for potentiometer	
±3°				
GENERAL TOLERANCE	UNITS	mm	KLS P/N:	L-KLS4-PK02-G19
x.x ±0.30	SHEET SIZE	A4	1:15	
x.xx ±0.20	Draw:	Daniel	2020-11-11	
x.xxx ±0.10	Check:	Daniel	2020-11-11	
			NingBo KLS ELECTRONIC CO.,L TD.	

1
RoHS Compliance



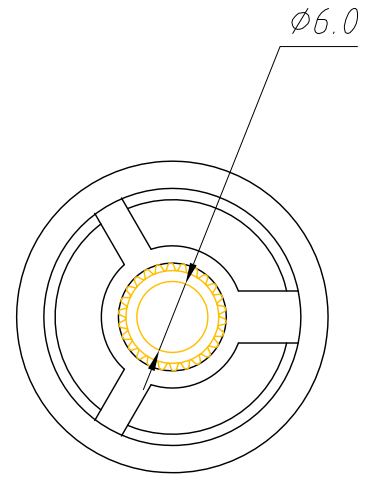
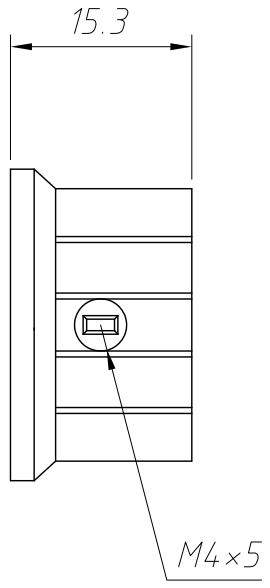
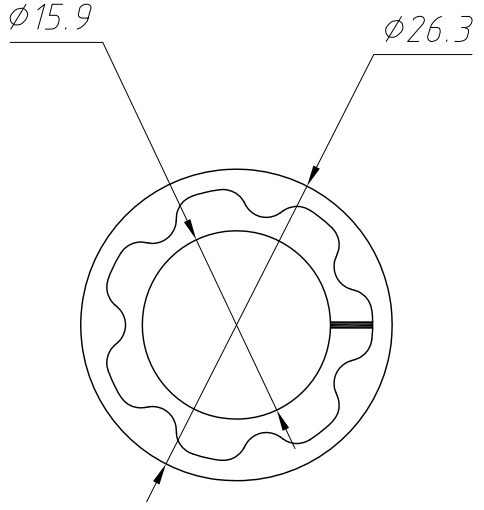
With Copper Shaft

Products Attribute:
 Product category: knobs for potentiometer
 RoHS: RoHS Compliance
 Housing Material: ABS, UL94V-0
 Top Material: Aluminum sheet
 Shaft: With Copper Shaft and Without Copper Shaft
 Color: Y-Yellow W-White R-Red B-Black O-Orange
 Product size: $\phi 19 \times 12\text{mm}$ $\phi 25 \times 18\text{mm}$ $\phi 26 \times 15\text{mm}$
 Resistance Tolerance: $\pm 10\%$
 Rotation Life: About 15000 Cycles
 Operating Temperature: $-10^{\circ}\text{C} \sim +85^{\circ}\text{C}$
 Packing: Box-packed

Order Information:
 L-KLS4-PK02-G21-B-S
 L: RoHS
 Pos. No.
 Type: G19, G21, G26
 Color:
 Y-Yellow W-White R-Red
 B-Black O-Orange
 S-With Copper Shaft

ANGLE TOLERANCE	PROJECTION	Description:		
$\pm 3^{\circ}$		knobs for potentiometer		
GENERAL TOLERANCE	UNITS	mm	KLS P/N:	L-KLS4-PK02-G21
x.x ± 0.30	SHEET SIZE	A4	1:15	NingBo KLS ELECTRONIC CO.,L TD.
x.xx ± 0.20	Draw:	Daniel	2020-11-11	
x.xxx ± 0.10	Check:	Daniel	2020-11-11	

1
RoHS Compliance



With Copper Shaft

Products Attribute:
 Product category: knobs for potentiometer
 RoHS: RoHS Compliance
 Housing Material: ABS, UL94V-0
 Top Material: Aluminum sheet
 Shaft: With Copper Shaft and Without Copper Shaft
 Color: Y-Yellow W-White R-Red B-Black O-Orange
 Product size: $\phi 19 \times 12\text{mm}$ $\phi 25 \times 18\text{mm}$ $\phi 26 \times 15\text{mm}$
 Resistance Tolerance: $\pm 10\%$
 Rotation Life: About 15000 Cycles
 Operating Temperature: $-10^{\circ}\text{C} \sim +85^{\circ}\text{C}$
 Packing: Box-packed

Order Information:
 L-KLS4-PK02-G26-B-S
 L: RoHS
 Pos. No.
 Type: G19, G21, G26
 Color:
 Y-Yellow W-White R-Red
 B-Black O-Orange
 S-With Copper Shaft

ANGLE TOLERANCE	PROJECTION	Description:		
$\pm 3^{\circ}$		knobs for potentiometer		
GENERAL TOLERANCE	UNITS	mm	KLS P/N:	L-KLS4-PK02-G26
x.x ± 0.30	SHEET SIZE	A4	1:15	NingBo KLS ELECTRONIC CO.,L TD.
x.xx ± 0.20	Draw:	Daniel	2020-11-11	
x.xxx ± 0.10	Check:	Daniel	2020-11-11	