

## 16mm Rotary Potentiometers

### KLS4-WH148 Series

#### Mechanical specifications:

Total rotation angle:  $300^{\circ} \pm 5^{\circ}$   
 Rotation torque: 2 ~ 20mN.m (20 ~ 200gf.cm)  
 Shaft stop strength: 6Kgf.cm  
 Push pull strength: 60N  
 Rotary life: 10000 cycles  
 Click position: Center detent or 10,20,40, position clicks

#### Electrical specifications:

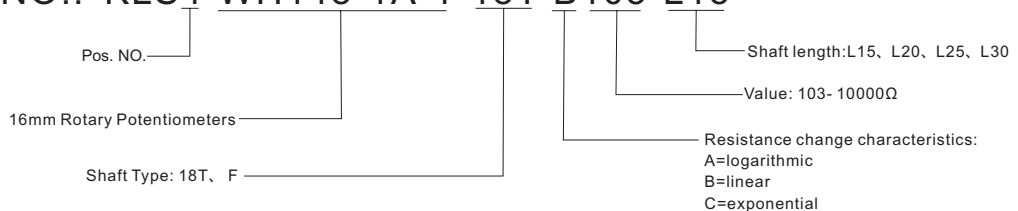
Total resistance: 5K $\Omega$  ~ 2M $\Omega$   
 Resistance taper: A, B, C  
 Resistance tolerance:  $\pm 20\%$   
 Rotational noise:  $\leq 47$  mV  
 Residual resistance:  $R \geq 250K\Omega$  0.1% max. of total resistance  
                                   250K $\Omega$  > R > 10K $\Omega$  20  $\Omega$  max  
                                   10K $\Omega$   $\geq$  R            10  $\Omega$  max  
 Tracking error: 0 ~ -40dB 3 dB  
 Rated wattage: Curve B: 0.125W; Other than B: 0.063 W  
 Max, operating voltage: Curve B: 200 V; Other than B: 150 V  
 Dielectric: AC500V, 1 minute  
 Insulation resistance: More than 100M $\Omega$  at DC500V



18T	L	15	20	25	30	F	L	15	20	25	30
	l	7	12	12	12	F	7	12	12	12	

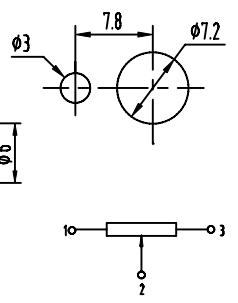
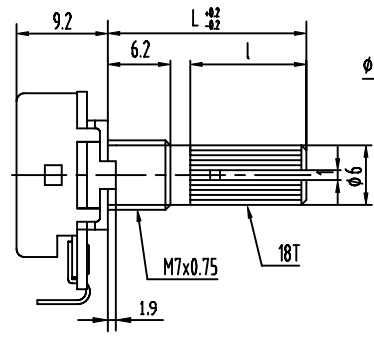
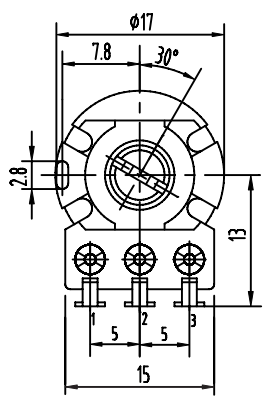
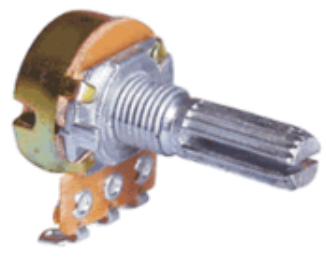
## ORDER INFORMATION

Product NO.: KLS4-WH148-1A-1-18T-B103-L15

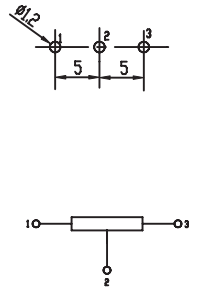
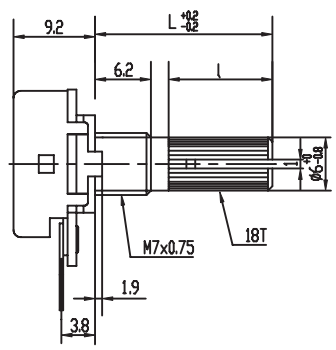
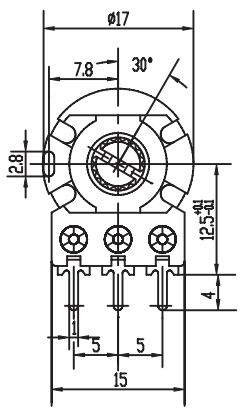


16mm Rotary Potentiometers

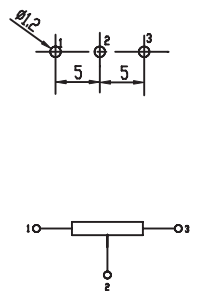
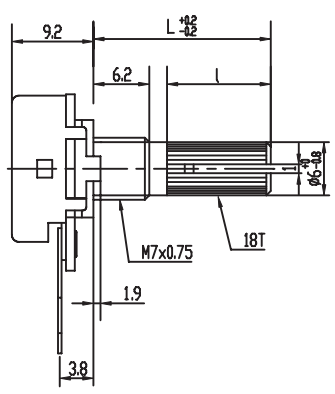
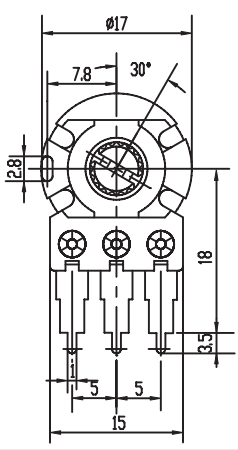
WH148-1A-1



WH148-1A-2

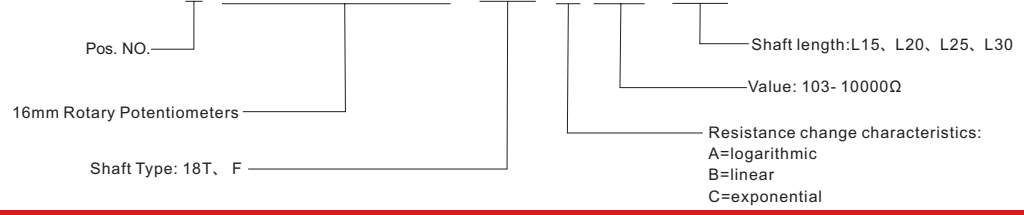


WH148-1A-3



ORDER INFORMATION

Product NO.: KLS4-WH148-1A-1-18T-B103-L15

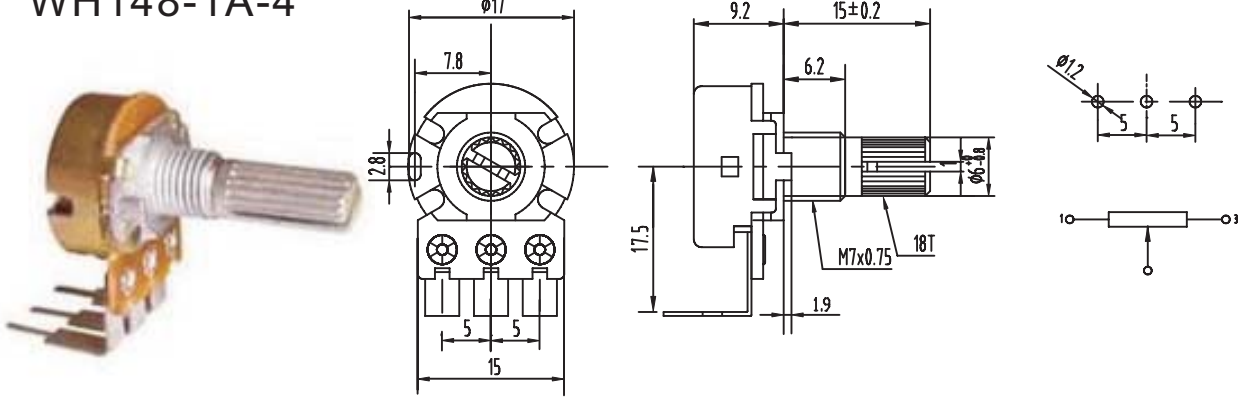


All specification & dimensions are subject to change, please call your nearest KLS sales representative for update information

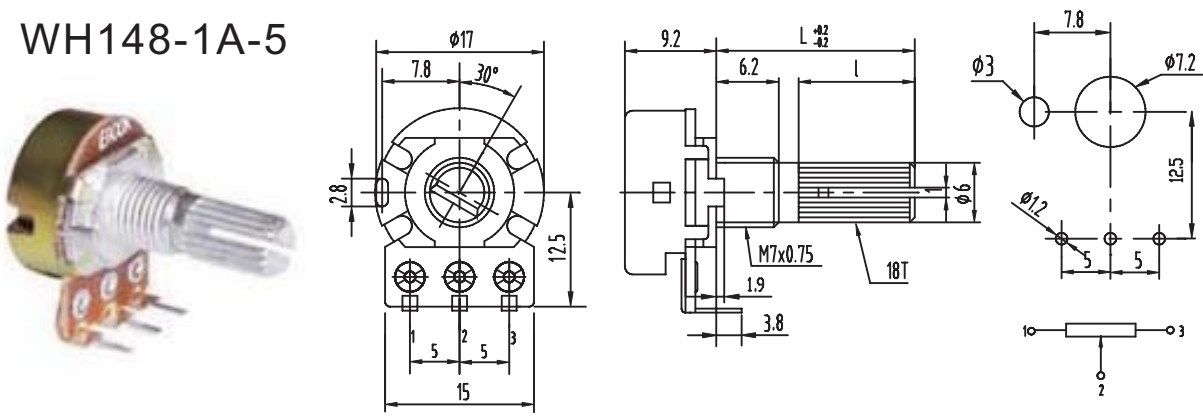


16mm Rotary Potentiometers

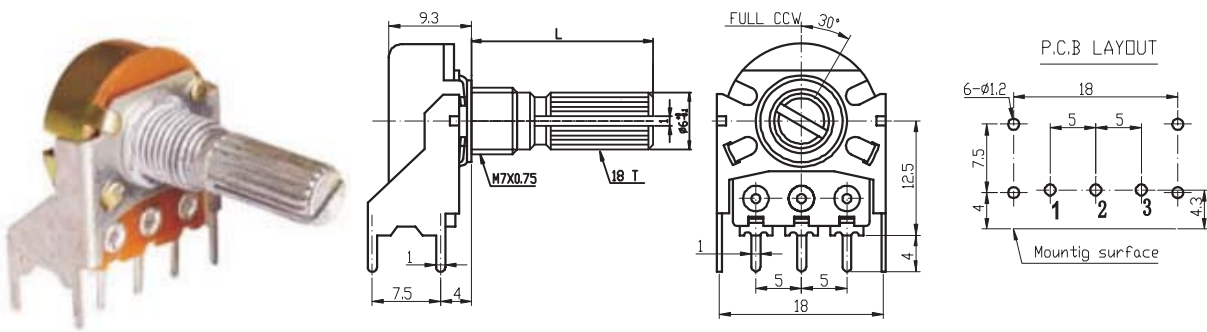
WH148-1A-4



WH148-1A-5

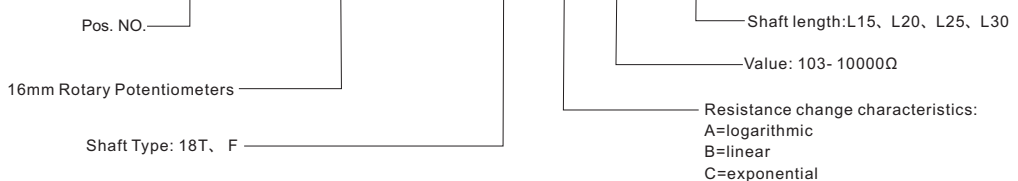


WH148-1A-2S-18T


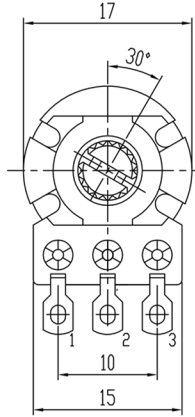
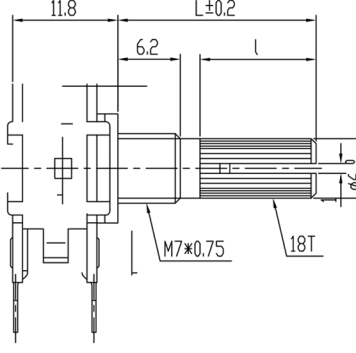
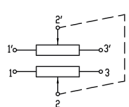

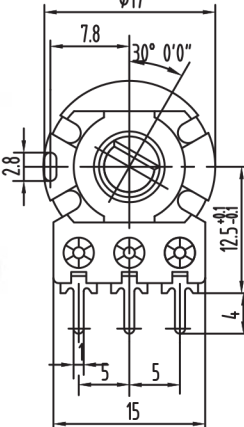
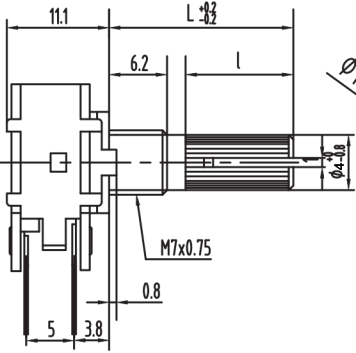
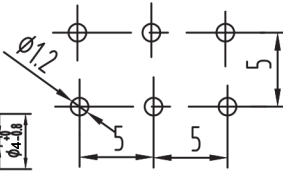

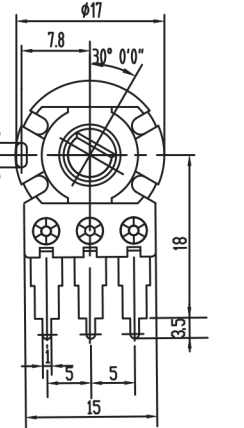
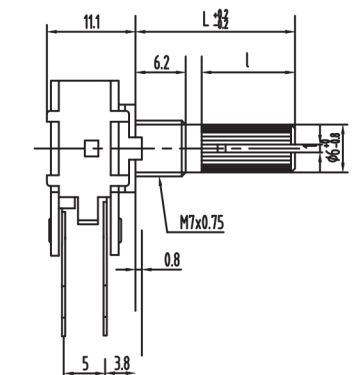
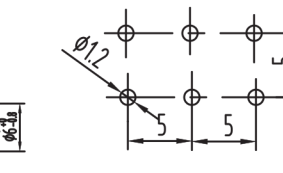


ORDER INFORMATION

Product NO.: KLS4-WH148-1A-1-18T-B103-L15

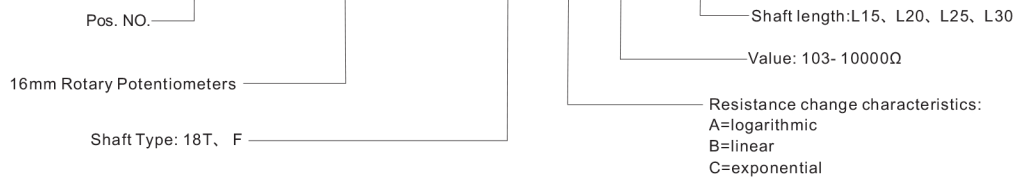


## 16mm Rotary Potentiometers

<p><b>WH148-1B-1</b></p> 			 <p>CIRCUIT DIAGRAM</p>
<p><b>WH148-1B-φ4F</b></p> 			
<p><b>WH148-1B-3</b></p> 			

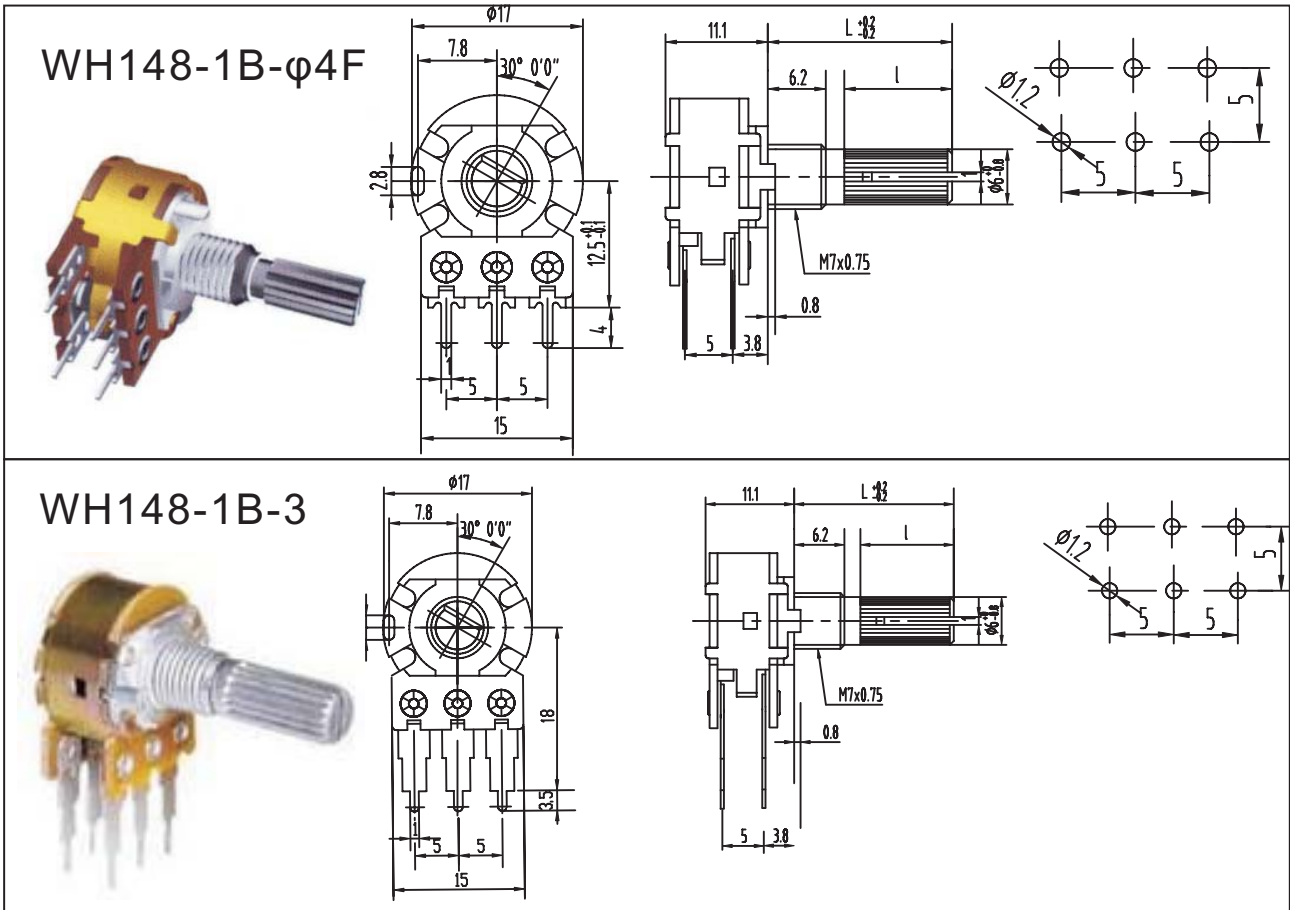
## ORDER INFORMATION

Product NO.: KLS4-WH148-1A-1-18T-B103-L15



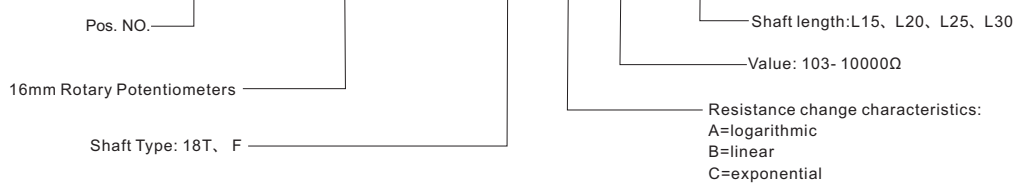


**16mm Rotary Potentiometers**



**ORDER INFORMATION**

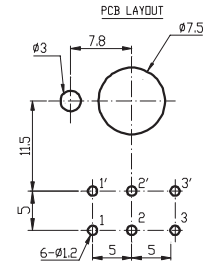
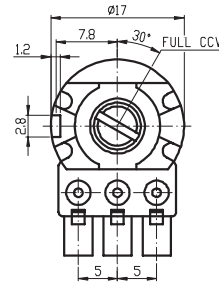
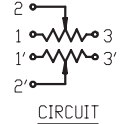
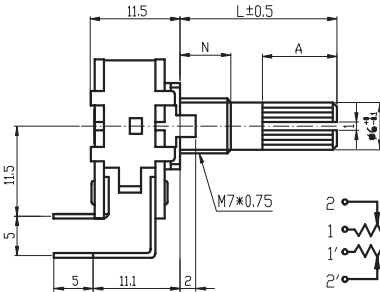
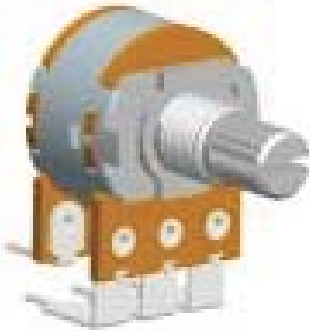
Product NO.: KLS4-WH148-1A-1-18T-B103-L15



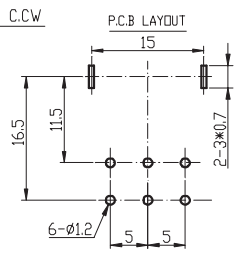
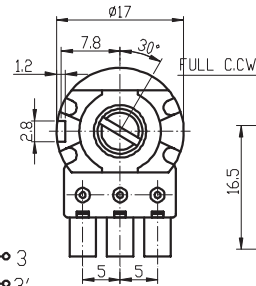
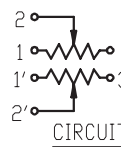
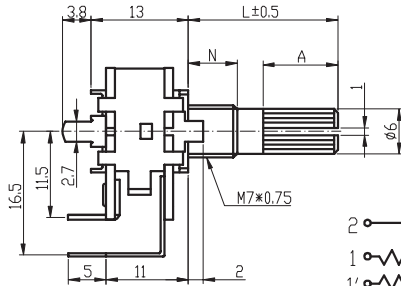


16mm Rotary Potentiometers

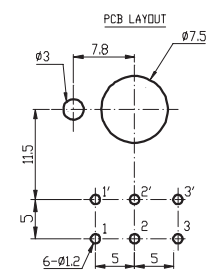
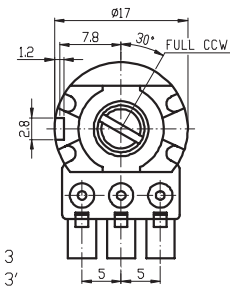
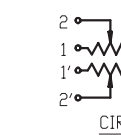
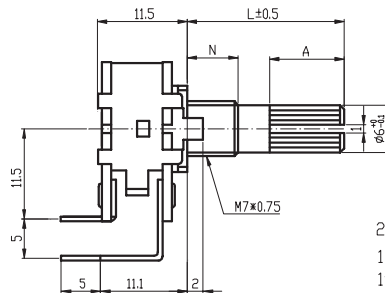
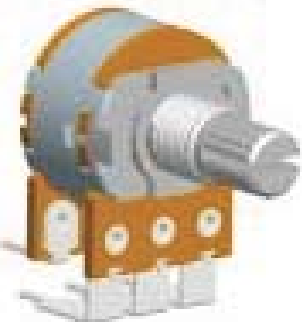
WH148-1B-4



WH148-1B-4J

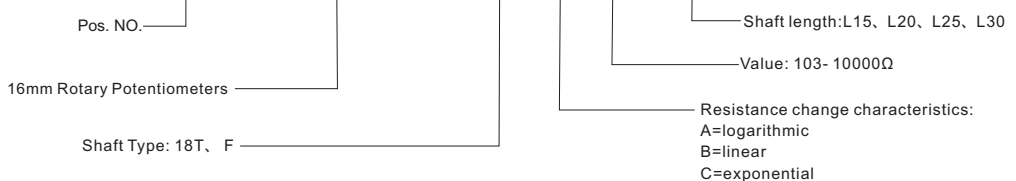


WH148-1B-5



ORDER INFORMATION

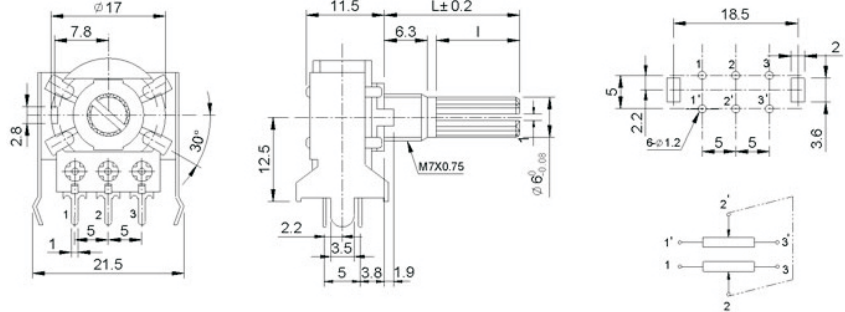
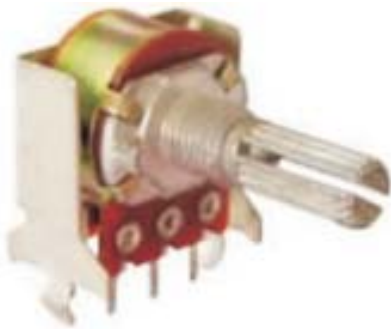
Product NO.: KLS4-WH148-1A-1-18T-B103-L15



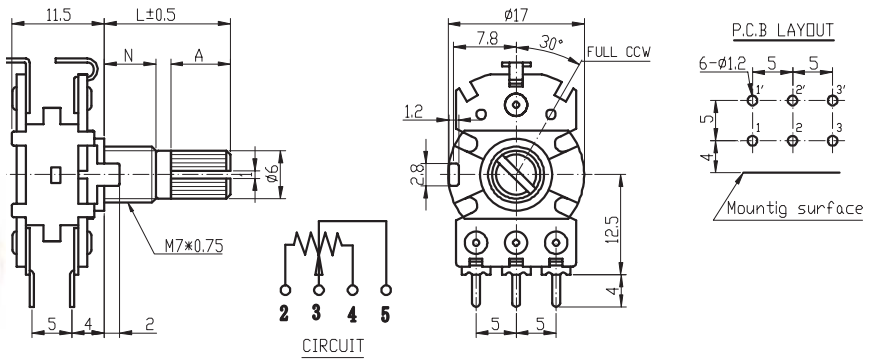
All specification & dimensions are subject to change, please call your nearest KLS sales representative for update information

16mm Rotary Potentiometers

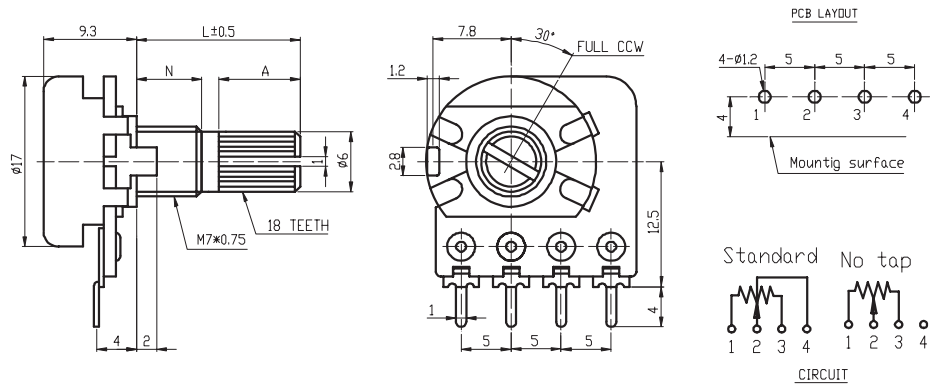
WH148-1B-2J



WH148-2B-2

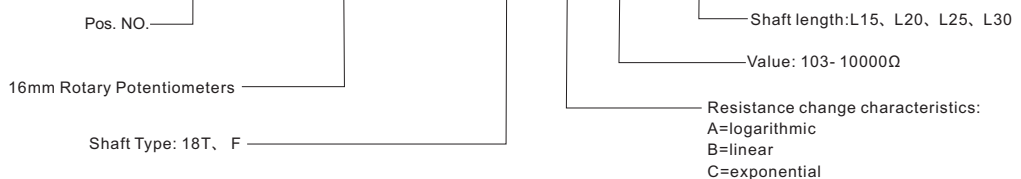


WH148-3A-2



ORDER INFORMATION

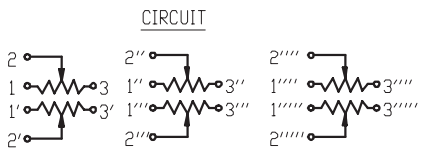
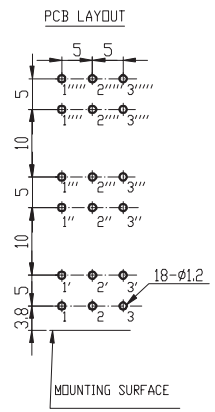
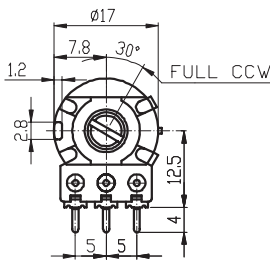
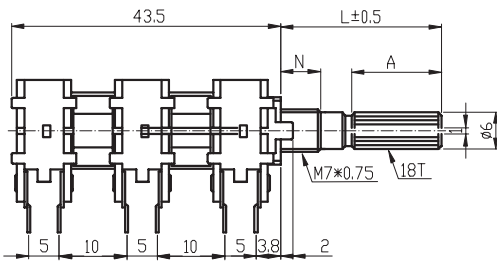
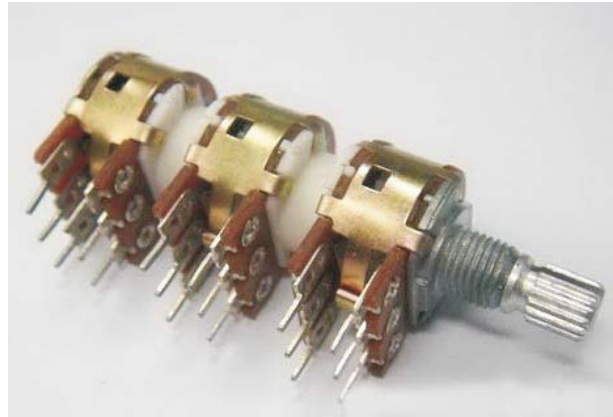
Product NO.: KLS4-WH148-1A-1-18T-B103-L15





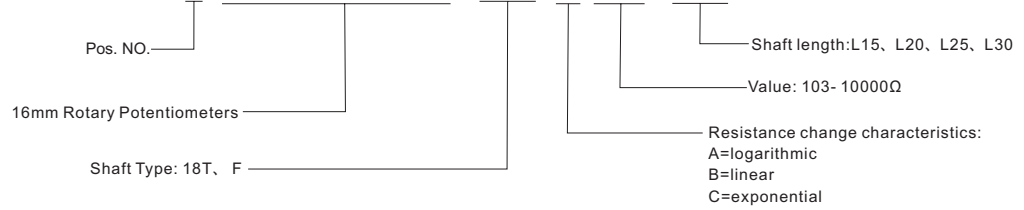
**16mm Rotary Potentiometers**

WH148-6B6



**ORDER INFORMATION**

Product NO.: KLS4-WH148-1A-1-18T-B103-L15



All specification & dimensions are subject to change, please call your nearest KLS sales representative for update information