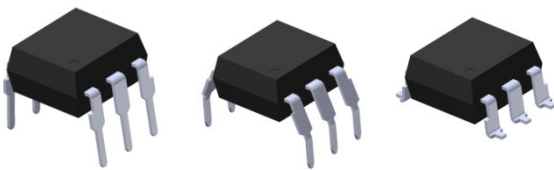


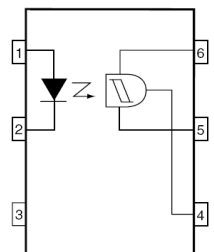
### 6 PIN DIP SCHMITT TRIGGER PHOTOCOUPLER H11LX Series



#### Features:

- High data rate, 1MHz typical (NRZ)
- Free from latch up and oscillation throughout voltage and temperature ranges.
- Microprocessor compatible drive
- Logic compatible output sinks 16mA at 0.4V maximum
- Guaranteed on/off threshold hysteresis
- Wide supply voltage capability, compatible with all popular logic systems
- High isolation voltage between input and output (Viso=5000 V rms )
- Compact dual-in-line package
- Pb free and RoHS compliant.
- UL approved (No. E214129)
- VDE approved (No. 132249)
- SEMKO approved
- NEMKO approved
- DEMKO approved
- FIMKO approved
- CSA approved

#### Schematic



#### Pin Configuration

1. Anode
2. Cathode
3. No Connection
4.  $V_O$
5. GND
6.  $V_{CC}$

#### Truth Table

Input	Output
H	L
L	H

#### Description

The H11LX series of devices each consist of a GaAs infrared emitting diode optically coupled a high speed integrated circuit detector. The output detector incorporates a Schmitt trigger, which provides hysteresis for noise immunity and pulse shaping.

The devices are in a 6-pin DIP package and available in wide-lead spacing and SMD option.

#### Applications

- Logic to logic isolator
- Programmable current level sensor
- Line receiver — eliminate noise and transient problems
- AC to TTL conversion — square wave shaping
- Digital programming of power supplies
- Interfaces computers with peripherals

**Absolute Maximum Ratings (Ta=25°C)**

	Parameter	Symbol	Rating	Unit
Input	Forward current	$I_F$	60	mA
	Reverse voltage	$V_R$	6	V
	Power dissipation	$P_D$	120	mW
Output	$V_{45}$ Allowed Range	$V_o$	0 to 16	V
	$V_{65}$ Allowed Range	$V_{CC}$	3 to 16	V
	Output Current	$I_o$	50	mA
	power dissipation	$P_D$	150	mW
Total power dissipation		$P_{tot}$	250	mW
Isolation voltage		$V_{iso}$	5000	V rms
Operating temperature		$T_{opr}$	-55~+100	°C
Storage temperature		$T_{stg}$	-55~+150	°C
Soldering temperature <sup>*2</sup>		$T_{sol}$	260	°C

Notes:

\*1 AC for 1 minute, R.H.= 40 ~ 60% R.H. In this test, pins 1, 2 & 3 are shorted together, and pins 4, 5 & 6 are shorted together.

\*2 For 10 seconds

**Electro-Optical Characteristics (Ta=25°C unless specified otherwise)**

**Input**

Parameter	Symbol	Min.	Typ.*	Max.	Unit	Condition
Forward Voltage	$V_F$	-	1.15	1.5	V	$I_F = 10\text{mA}$
Reverse Current	$I_R$	-	-	10	$\mu\text{A}$	$V_R = 5\text{V}$
Input capacitance	$C_J$	-	-	100	pF	$V=0, f=1\text{MHz}$

**Output**

Parameter	Symbol	Min.	Typ.*	Max.	Unit	Condition
Operation Voltage Range	$V_{CC}$	3	-	15	V	
Supply Current	$I_{CC(\text{off})}$	-	1.6	5	mA	$I_F=0\text{mA}, V_{CC}=5\text{V}$
Output Current, High	$I_{OH}$	-	-	100	$\mu\text{A}$	$I_F=0\text{mA}, V_{CC}=V_O=15\text{V}$
Isolation Resistance	$R_{ISO}$	$10^{11}$	-	-	$\Omega$	$V_{I-O}=500\text{VDC}$

**Transfer Characteristics**

Parameter	Symbol	Min	Typ.	Max.	Unit	Condition
Supply Current	$I_{CC(\text{on})}$	-	1.6	5	mA	$I_F=10\text{mA}, V_{CC}=5\text{V}$
Output Voltage .low	$V_{OL}$	-	-	0.4	V	$V_{CC}=5\text{V}, I_F=I_{Fon}(\text{max.}), R_L=270\Omega$
Turn on Threshold Current <sup>1</sup>	H11L1	-	-	1.6	mA	$V_{CC}=5\text{V}, R_L=270\Omega$
	H11L2	-	-	10		
	H11L3	-	-	5		
Turn off Threshold Current	$I_{Foff}$	-	1	-	mA	$V_{CC}=5\text{V}, R_L=270\Omega$
Hysteresis Ratio	$I_{Foff}/I_{Fon}$	0.5	-	0.9		$V_{CC}=5\text{V}, R_L=270\Omega$
Turn on Time	$t_{on}$	-	-	4	$\mu\text{S}$	
Fall Time	$t_r$	-	0.1	-	$\mu\text{S}$	$V_{CC}=5\text{V}, I_F=I_{Fon}, R_L=270\Omega$
Turn off Time	$t_{off}$	-	-	4	$\mu\text{S}$	
Rise Time	$t_r$	-	0.1	-	$\mu\text{S}$	
Data Rate		-	1	-	MHz	

\* Typical values at  $T_a = 25^\circ\text{C}$

<sup>1</sup>. Max.  $I_{F(ON)}$  is the maximum current required to trigger the output. For examples, a 1.6mA maximum trigger current would require the LED to be driven at a current greater than 1.6mA to guarantee the device will turn on. A 10% guard band is recommended to account for degradation of the LED over its lifetime. The maximum allowable LED drive current is 60mA.

Typical Electro-Optical Characteristics Curves

Figure 1. Forward Current vs Forward Voltage

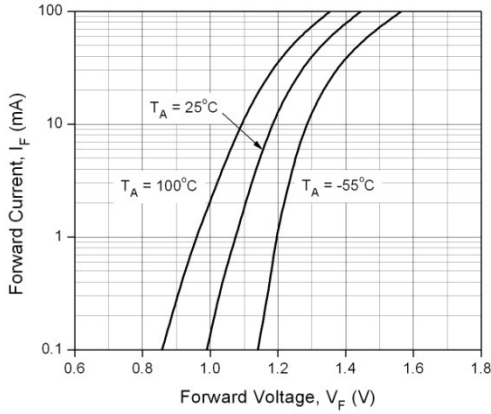


Figure 2. Transfer Characteristics

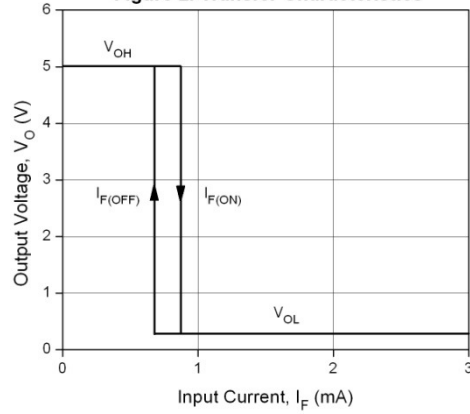


Figure 3. Turn On Threshold Current vs Supply Voltage

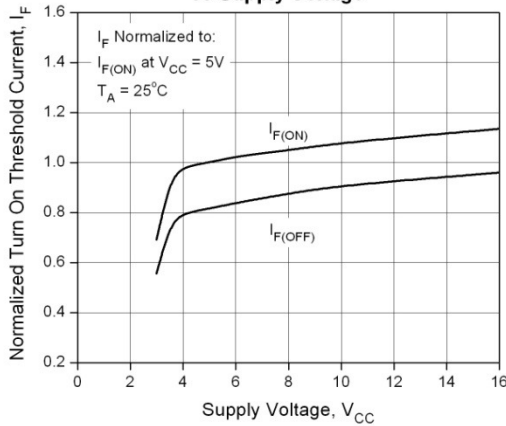


Figure 4. Turn On Threshold Current vs Ambient Temperature

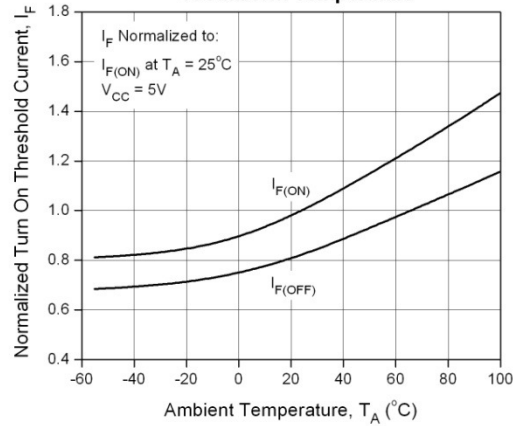


Figure 5. Low Level Output Voltage vs Load Current

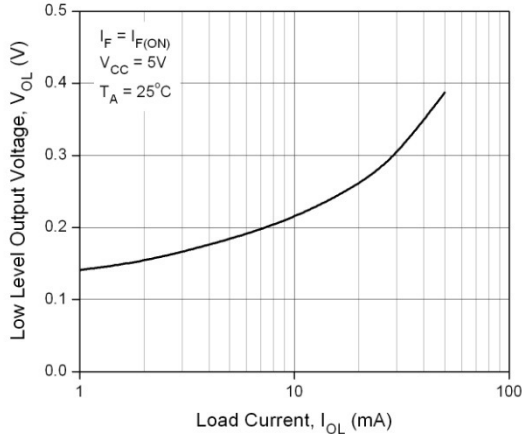
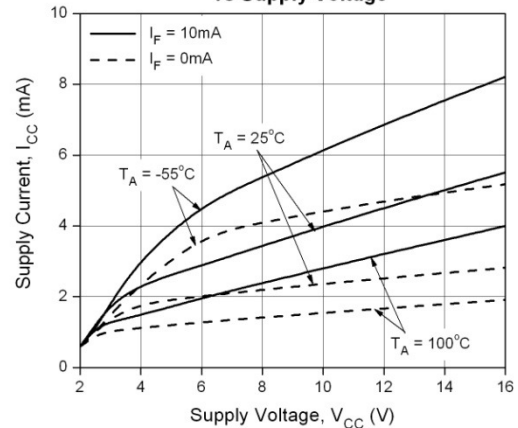


Figure 6. Supply Current vs Supply Voltage



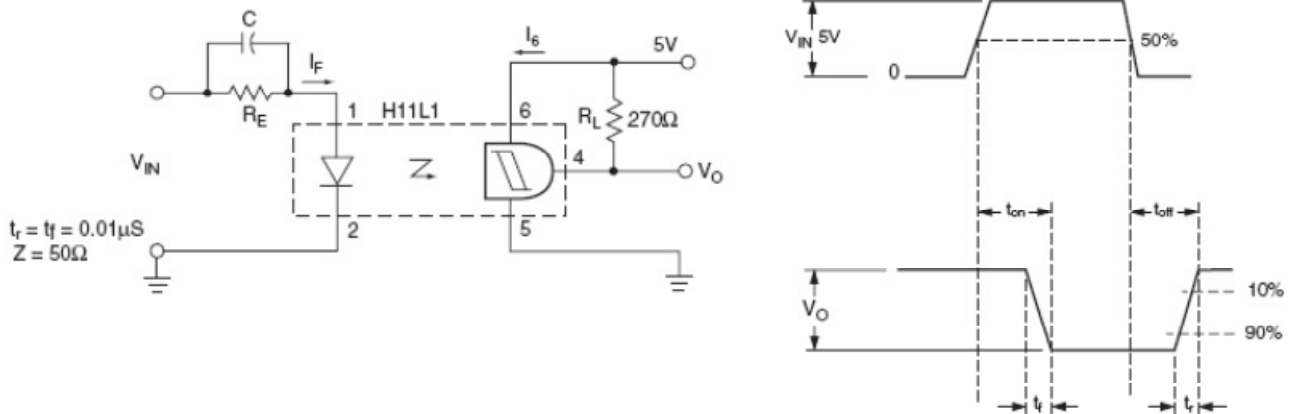


Figure 7. Switching Time Test Circuit & Waveforms

## Order Information

### Part Number

**H11LXY(Z)-V**

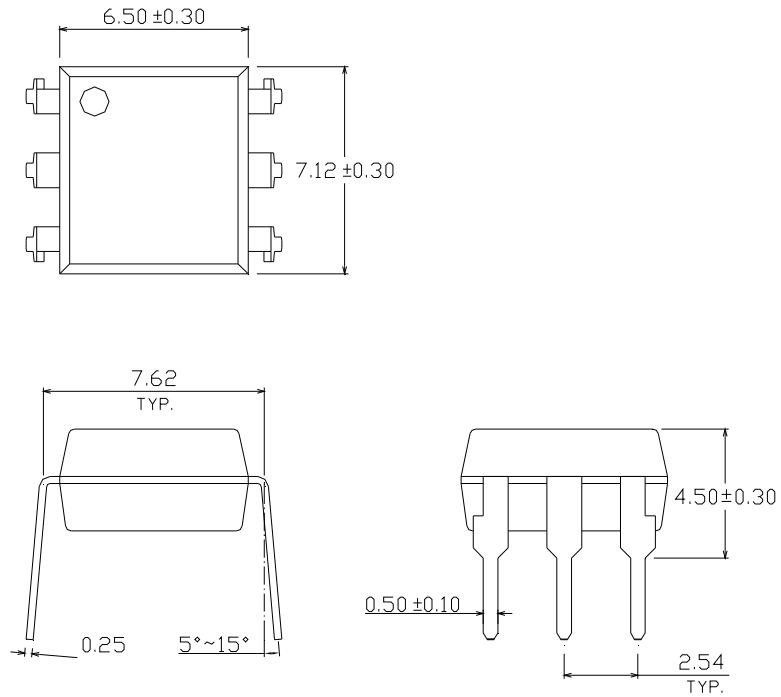
#### Note

- X = Part No. for 1, 2 or 3
- Y = Lead form option (S, S1, M or none)
- Z = Tape and reel option (TA, TB or none).
- V = VDE (optional)

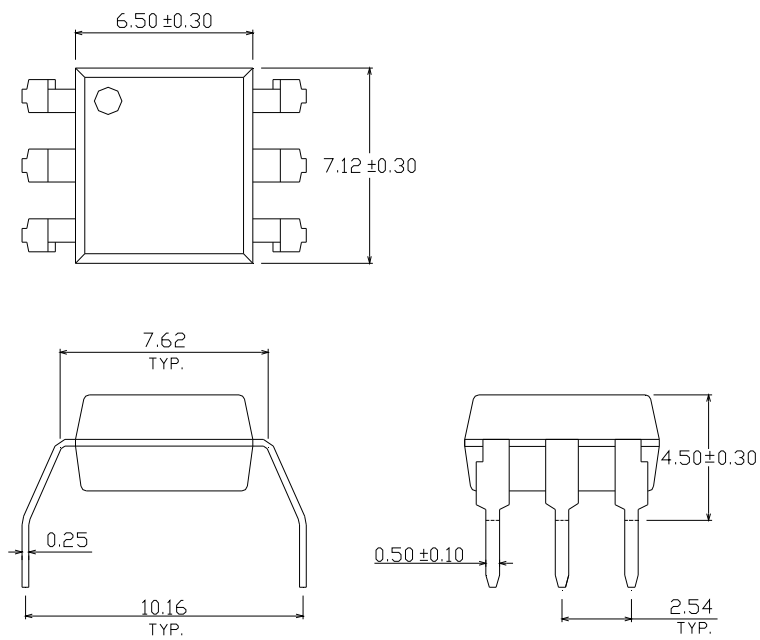
Option	Description	Packing quantity
None	Standard DIP-6	65 units per tube
M	Wide lead bend (0.4 inch spacing)	65 units per tube
S + TA	Surface mount lead form + TA tape & reel option	1000 units per reel
S + TB	Surface mount lead form + TB tape & reel option	1000 units per reel
S1 + TA	Surface mount lead form (low profile) + TA tape & reel option	1000 units per reel
S1 + TB	Surface mount lead form (low profile) + TB tape & reel option	1000 units per reel

### Package Dimension (Dimensions in mm)

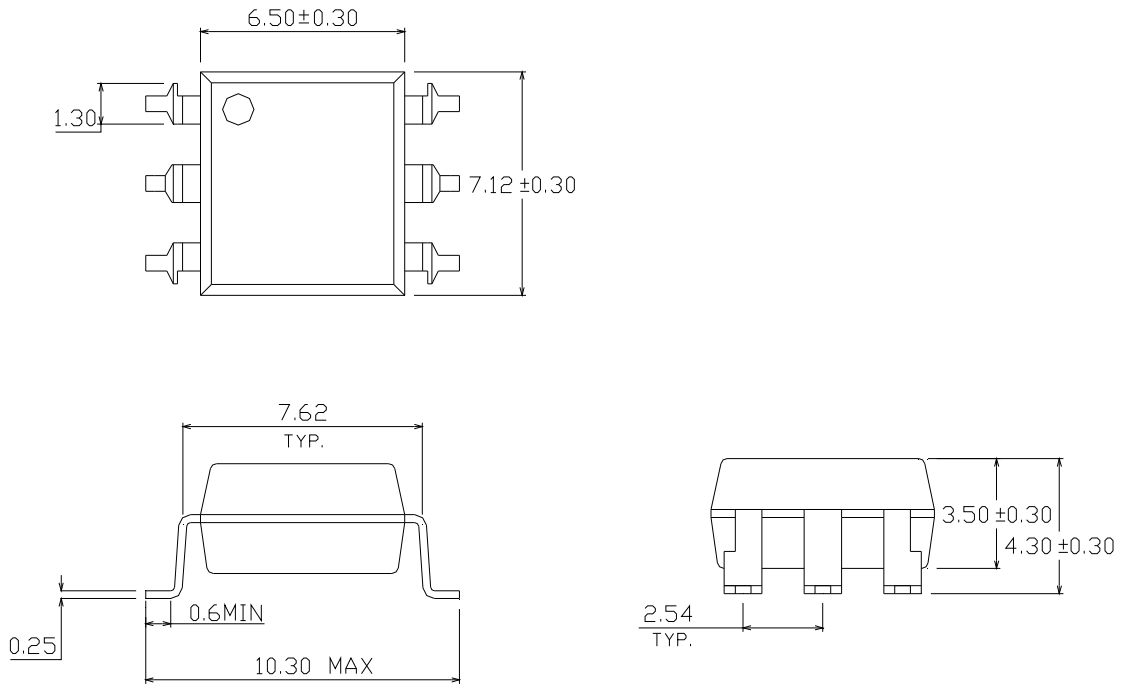
#### Standard DIP Type



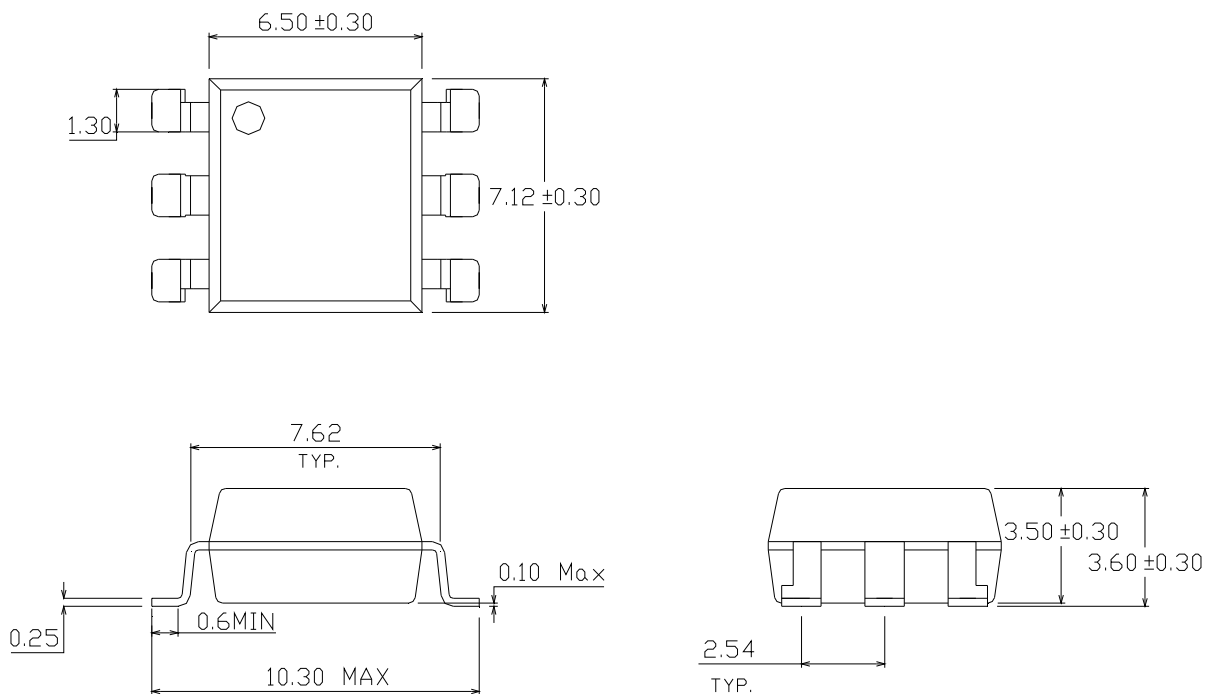
#### Option M Type



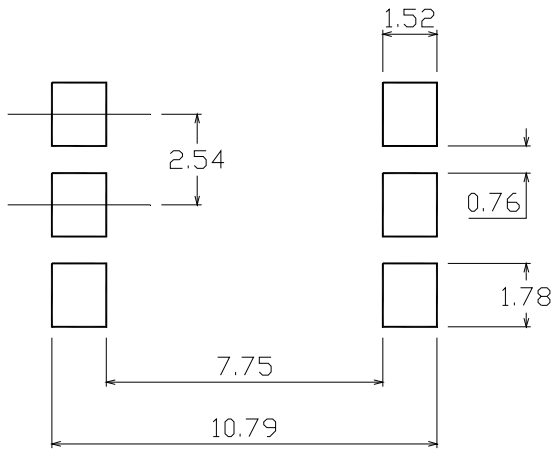
Option S Type



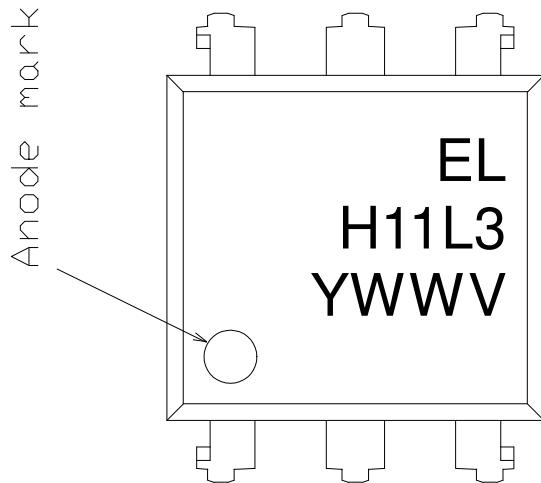
Option S1 Type



Recommended pad layout for surface mount leadform



Device Marking



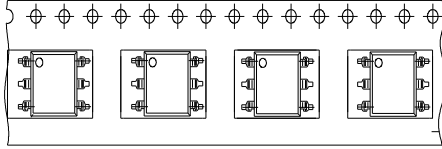
Notes

- EL denotes Everlight
- H11L3 denotes Device Number
- Y denotes 1 digit Year code
- WW denotes 2 digit Week code
- V denotes VDE (optional)

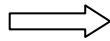


**Tape & Reel Packing Specifications**

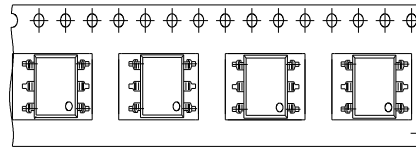
**Option TA**



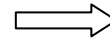
Direction of feed from reel



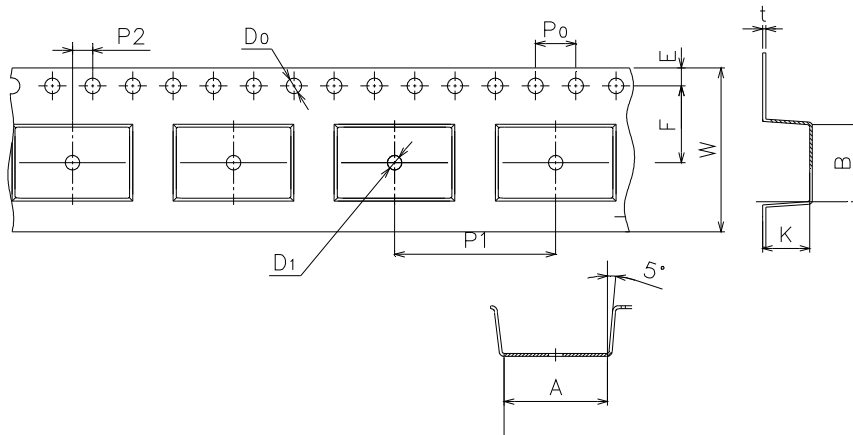
**Option TB**



Direction of feed from reel



**Tape dimensions**

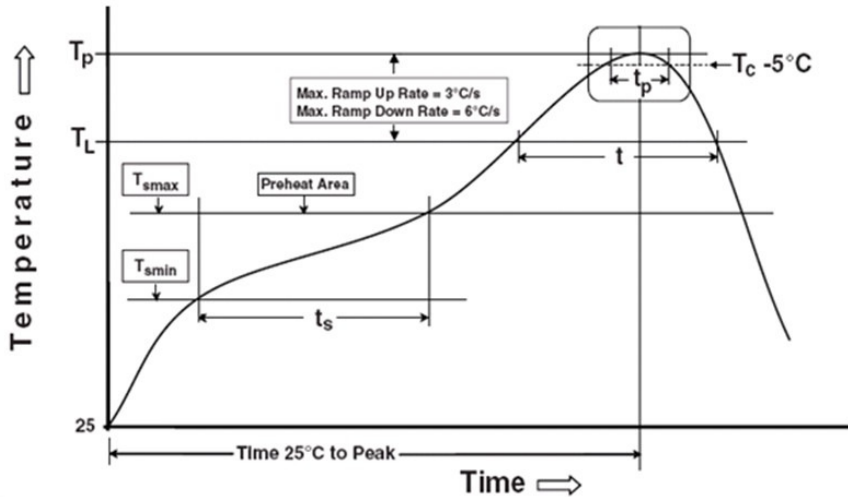


Dimension No.	<b>A</b>	<b>B</b>	<b>Do</b>	<b>D1</b>	<b>E</b>	<b>F</b>
Dimension(mm)	10.4±0.1	7.5±0.1	1.5±0.1	1.5+0.1/-0	1.75±0.1	7.5±0.1
Dimension No.	<b>Po</b>	<b>P1</b>	<b>P2</b>	<b>t</b>	<b>W</b>	<b>K</b>
Dimension(mm)	4.0±0.15	12±0.1	2.0±0.1	0.35±0.03	16.0±0.2	4.5±0.1

## Precautions for Use

### 1. Soldering Condition

#### 1.1 (A) Maximum Body Case Temperature Profile for evaluation of Reflow Profile



Note:

Reference: IPC/JEDEC J-STD-020D

#### Preheat

Temperature min ( $T_{smin}$ )	150 °C
Temperature max ( $T_{smax}$ )	200 °C
Time ( $T_{smin}$ to $T_{smax}$ ) ( $t_s$ )	60-120 seconds
Average ramp-up rate ( $T_{smax}$ to $T_p$ )	3 °C/second max

#### Other

Liquidus Temperature ( $T_L$ )	217 °C
Time above Liquidus Temperature ( $t_L$ )	60-100 sec
Peak Temperature ( $T_p$ )	260 °C
Time within 5 °C of Actual Peak Temperature: $T_p - 5^\circ\text{C}$	30 s
Ramp- Down Rate from Peak Temperature	6 °C /second max.
Time 25 °C to peak temperature	8 minutes max.
Reflow times	3 times

## **DISCLAIMER**

1. Above specification may be changed without notice. EVERLIGHT will reserve authority on material change for above specification.
2. When using this product, please observe the absolute maximum ratings and the instructions for using outlined in these specification sheets. EVERLIGHT assumes no responsibility for any damage resulting from use of the product which does not comply with the absolute maximum ratings and the instructions included in these specification sheets.
3. These specification sheets include materials protected under copyright of EVERLIGHT corporation. Please don't reproduce or cause anyone to reproduce them without EVERLIGHT's consent.

# Mouser Electronics

Authorized Distributor

Click to View Pricing, Inventory, Delivery & Lifecycle Information:

## Everlight:

[H11L1](#) [H11L1-V](#) [H11L1M](#) [H11L1M-V](#) [H11L1S\(TA\)](#) [H11L1S\(TA\)-V](#) [H11L1S\(TB\)](#) [H11L1S\(TB\)-V](#) [H11L1S1\(TA\)](#)  
[H11L1S1\(TA\)-V](#) [H11L1S1\(TB\)](#) [H11L1S1\(TB\)-V](#) [H11L2](#) [H11L2-V](#) [H11L2M](#) [H11L2M-V](#) [H11L2S\(TA\)](#) [H11L2S\(TA\)-V](#)  
[H11L2S\(TB\)](#) [H11L2S\(TB\)-V](#) [H11L2S1\(TA\)](#) [H11L2S1\(TA\)-V](#) [H11L2S1\(TB\)](#) [H11L2S1\(TB\)-V](#) [H11L3](#) [H11L3-V](#)  
[H11L3M](#) [H11L3M-V](#) [H11L3S\(TA\)](#) [H11L3S\(TA\)-V](#) [H11L3S\(TB\)](#) [H11L3S\(TB\)-V](#) [H11L3S1\(TA\)](#) [H11L3S1\(TA\)-V](#)  
[H11L3S1\(TB\)](#) [H11L3S1\(TB\)-V](#)