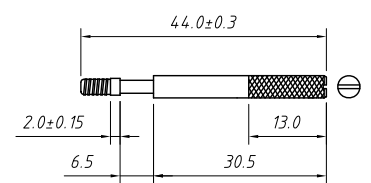
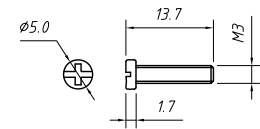
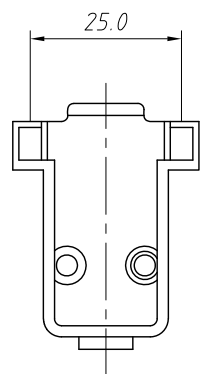
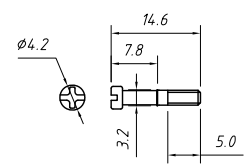
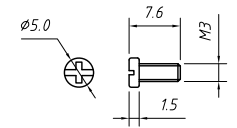
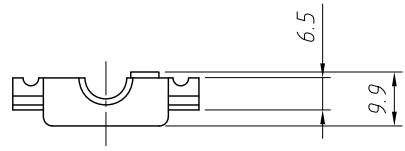
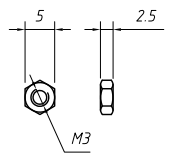
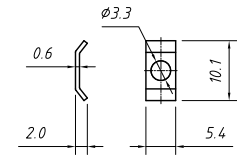
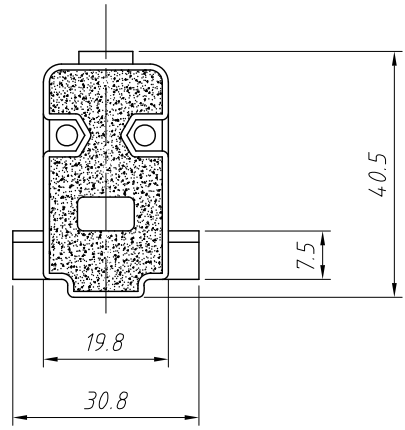
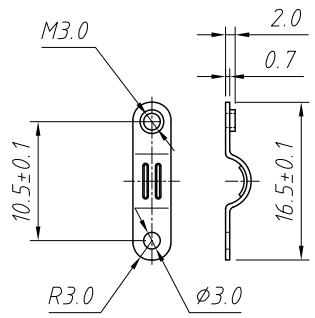


1
RoHS Compliance



Short screw

Long screw

Order Information:
L-KLS1-DB-09P-S-G

L: RoHS
XXP-No.of
09,15,25,37,50pins
Screw:S-Short screw
L-Long screw
Color: G-Gray B-Black

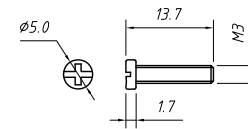
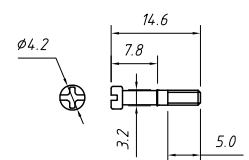
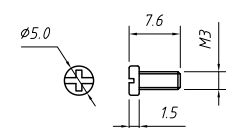
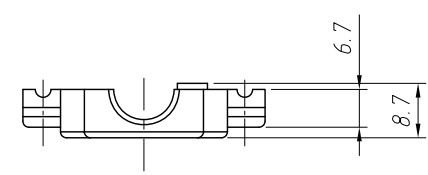
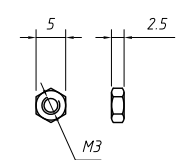
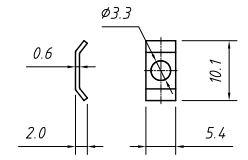
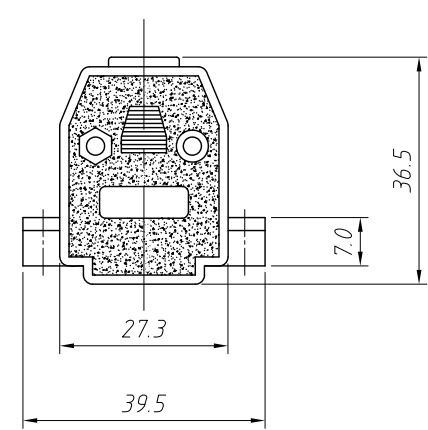
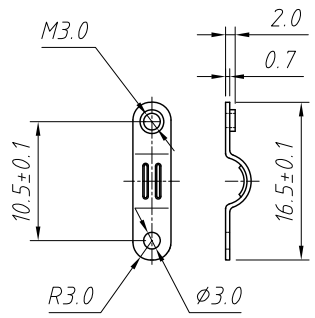
Cover Material: ABS Plastic
Screw Material: STEEL

ANGLE TOLERANCE	PROJECTION	Description:	
±3°		D-SUB HOOD PLASTIC MATERIAL (09-37Pin)	
GENERAL TOLERANCE	UNITS	mm	KLS P/N:
x.x ±0.30	SHEET SIZE	A4	L-KLS1-DB-09P-S-G
x.xx ±0.20	Draw:	Daniel	2020-11-11
x.xxx ±0.10	Check:	Daniel	2020-11-11

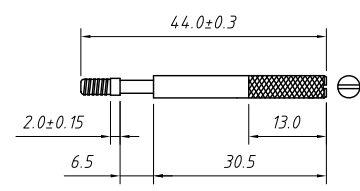
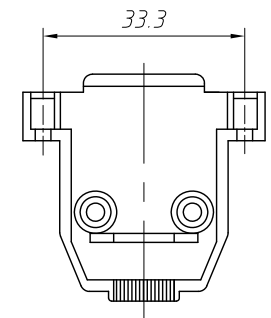


NingBo KLS ELECTRONIC CO.,LTD.

1
RoHS Compliance



Short screw

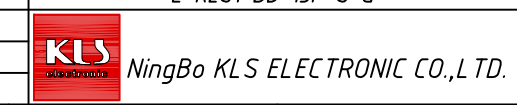


Long screw

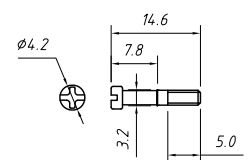
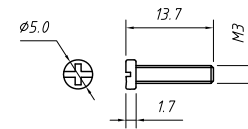
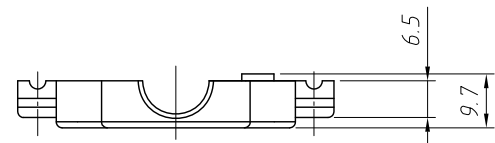
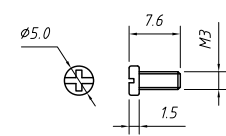
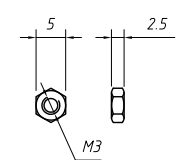
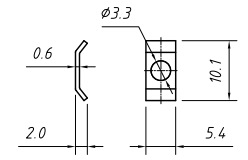
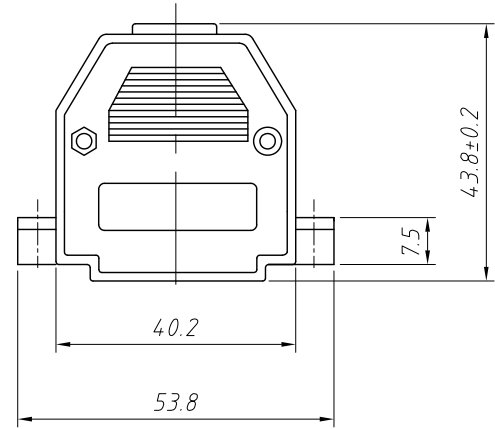
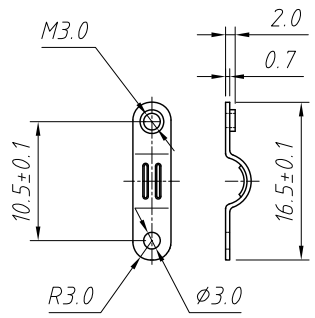
Order Information:
L-KLS1-DB-15P-S-G
 L: RoHS
 XXP-No.of
 09,15,25,37,50pins
 Screw:S-Short screw
 L-Long screw
 Color: G-Gray B-Black

Cover Material: ABS Plastic
 Screw Material: STEEL

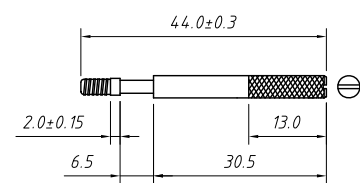
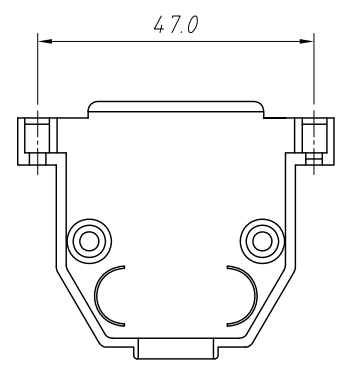
ANGLE TOLERANCE	PROJECTION	Description:	
±3°		D-SUB HOOD PLASTIC MATERIAL (09-37Pin)	
GENERAL TOLERANCE	UNITS	mm	KLS P/N:
x.x ±0.30	SHEET SIZE	A4	L-KLS1-DB-15P-S-G
x.xx ±0.20	Draw:	Daniel	2020-11-11
x.xxx ±0.10	Check:	Daniel	2020-11-11



1
RoHS Compliance



Short screw



Long screw

Order Information:
L-KLS1-DB-25P-S-G

L: RoHS
XXP-No.of
09,15,25,37,50pins
Screw:S-Short screw
L-Long screw
Color: G-Gray B-Black

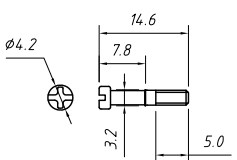
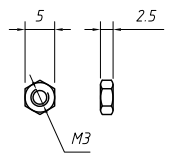
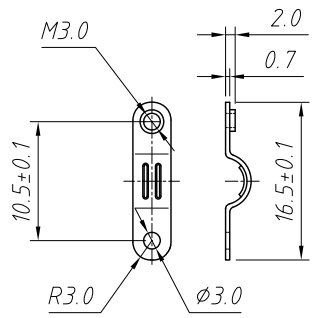
Cover Material: ABS Plastic
Screw Material: STEEL

ANGLE TOLERANCE	PROJECTION	Description:	
±3°		D-SUB HOOD PLASTIC MATERIAL (09-37Pin)	
GENERAL TOLERANCE	UNITS	mm	KLS P/N:
x.x ±0.30	SHEET SIZE	A4	L-KLS1-DB-25P-S-G
x.xx ±0.20	Draw:	Daniel	2020-11-11
x.xxx ±0.10	Check:	Daniel	2020-11-11



NingBo KLS ELECTRONIC CO.,L TD.

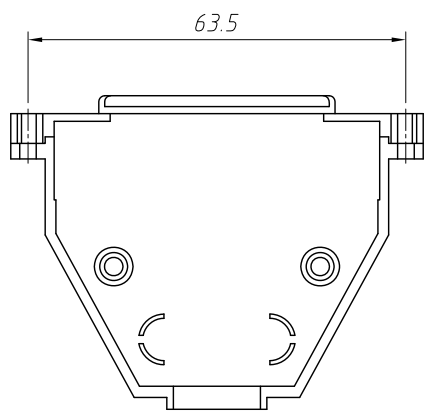
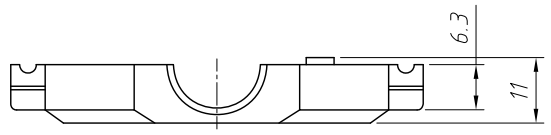
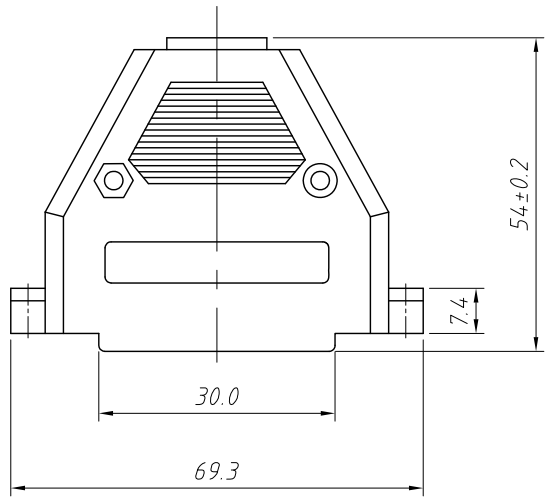
1
RoHS Compliance



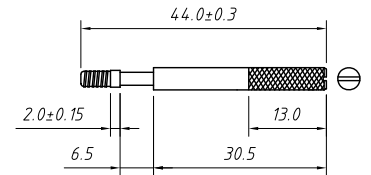
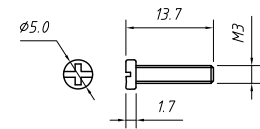
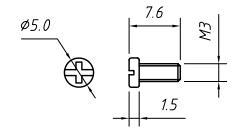
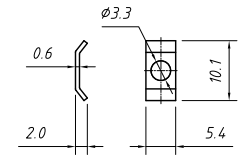
Short screw

Order Information:
L-KLS1-DB-37P-S-G

L: RoHS
XXP-No. of
09, 15, 25, 37, 50 pins
Screw: S-Short screw
L-Long screw
Color: G-Gray B-Black



Cover Material: ABS Plastic
Screw Material: STEEL



Long screw

ANGLE TOLERANCE	PROJECTION	Description:	
±3°		D-SUB HOOD PLASTIC MATERIAL (09-37Pin)	
GENERAL TOLERANCE	UNITS	mm	KLS P/N:
x.x ±0.30	SHEET SIZE	A4	L-KLS1-DB-37P-S-G
x.xx ±0.20	Draw:	Daniel	2020-11-11
x.xxx ±0.10	Check:	Daniel	2020-11-11



NingBo KLS ELECTRONIC CO.,L TD.