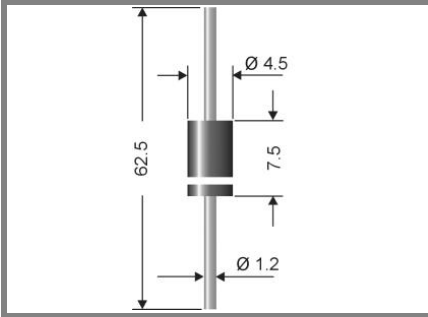


# 1N 5383B...1N5388B



**Axial lead diode**

## Zener silicon diodes

### 1N 5383B...1N5388B

**Maximum Power Dissipation: 5 W**

**Nominal Z-voltage: 150 to 200 V**

### Features

- Max. solder temperature: 260°C
- Plastic material has UL classification 94V-0
- Standard Zener voltage tolerance is (5%) standard. Other voltage tolerances and higher Zener voltages on request.

### Mechanical Data

- Plastic case DO-201
- Weight approx.: 1 g
- Terminals: plated terminals solderable per MIL-STD-750
- Mounting position: any
- Standard packaging: 1700 pieces per ammo

1) Valid, if leads are kept at ambient temperature at a distance of 10 mm from case

2) Tested with pulses

Absolute Maximum Ratings		T <sub>c</sub> = 25 °C, unless otherwise specified	
Symbol	Conditions	Values	Units
P <sub>tot</sub>	Power dissipation, T <sub>A</sub> = 50 °C <sup>1)</sup>	5	W
P <sub>ZSM</sub>	Non repetitive peak power dissipation, t < 10 ms	80	W
R <sub>thA</sub>	Max. thermal resistance junction to ambient	25	K/W
R <sub>thT</sub>	Max. thermal resistance junction to terminal	8	K/W
T <sub>j</sub>	Operating junction temperature	-50...+150	°C
T <sub>s</sub>	Storage temperature	-50...+175	°C

Type	Zener Voltage <sup>2)</sup> V <sub>Z</sub> @I <sub>ZT</sub>		Test curr. I <sub>ZT</sub> mA	Dyn. Resistance Z <sub>ZT</sub> @I <sub>ZT</sub> Ω	Temp. Coeffiz. of V <sub>Z</sub> a <sub>VZ</sub> 10 <sup>-4</sup> /°C	I <sub>R</sub>   V <sub>R</sub>		Z-curr. <sup>1)</sup> T <sub>A</sub> = 50 °C I <sub>Zmax</sub> mA
	V <sub>Zmin</sub> V	V <sub>Zmax</sub> V				I <sub>R</sub> μA	V <sub>R</sub> V	
1N 5383B	142	158	8	330	-	5	> 114	32
1N 5384B	151,5	168,5	8	350	-	5	> 122	30
1N 5385B	161	179	8	380	-	5	> 129	28
1N 5386B	170,5	189,5	5	430	-	5	> 137	26
1N 5387B	180	200	5	450	-	5	> 144	25
1N 5388B	189	211	5	480	-	5	> 152	24