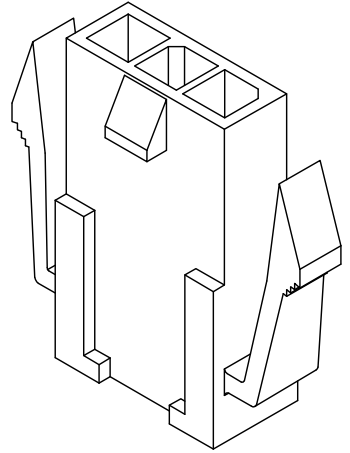
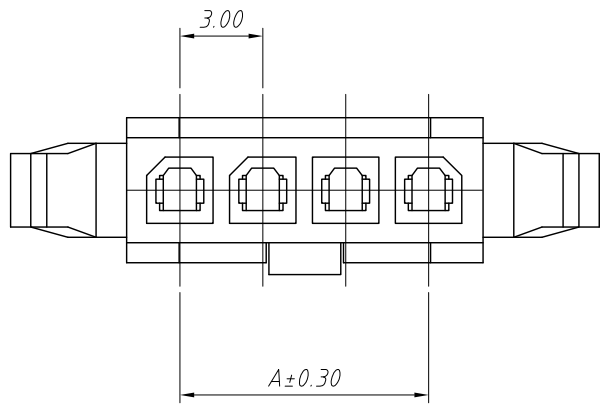


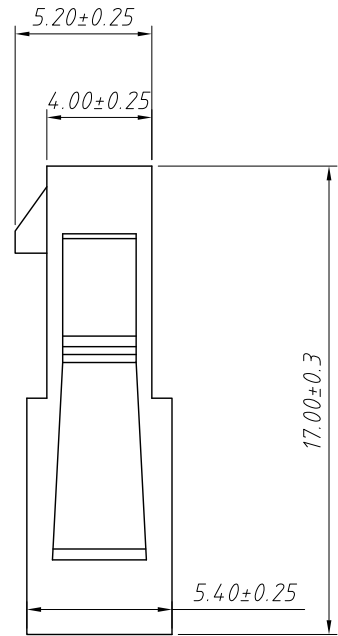
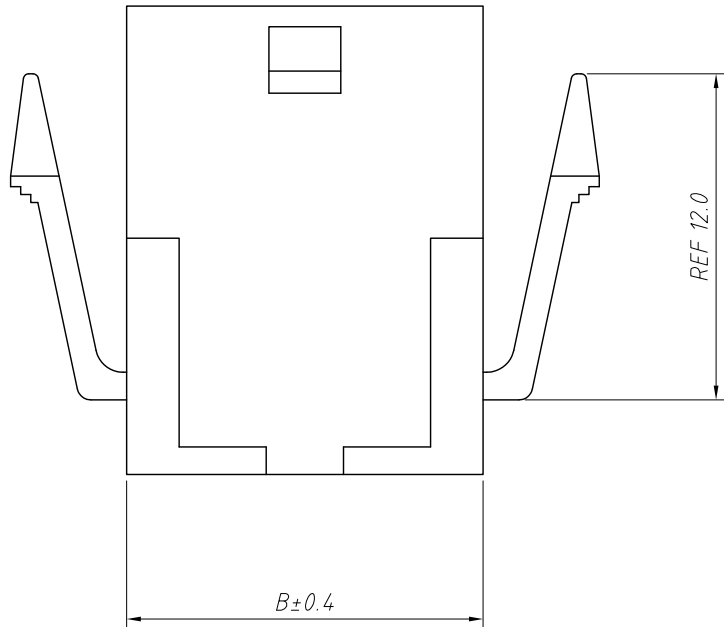
1
RoHS Compliance



Material:
Housing:PA66,UL 94V-2

Electrical Characteristics:
Rated Current:5.0AMP
Voltage rating:250V AC,DC
Temperature range:-25°C ~ + 85°C
Insulator Resistance:1000M Ω Min
Withstanding Voltage:1500V AC/minute
Contact Resistance:10m Ω Max

Pin	Dimensions(mm)	
	A	B
02	3.00	7.00
03	6.00	10.00
04	9.00	13.00
05	12.00	16.00
06	15.00	19.00
07	18.00	22.00
08	21.00	25.00
09	24.00	28.00
10	27.00	31.00
11	30.00	34.00
12	33.00	37.00



Order Information:
L-KLS1-XM1-3.00-1x02-FH

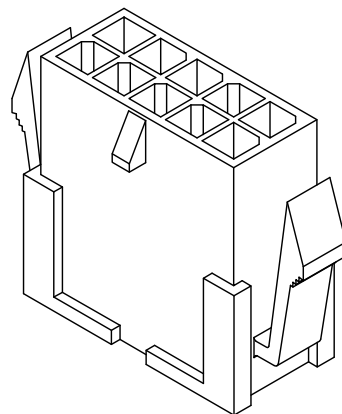
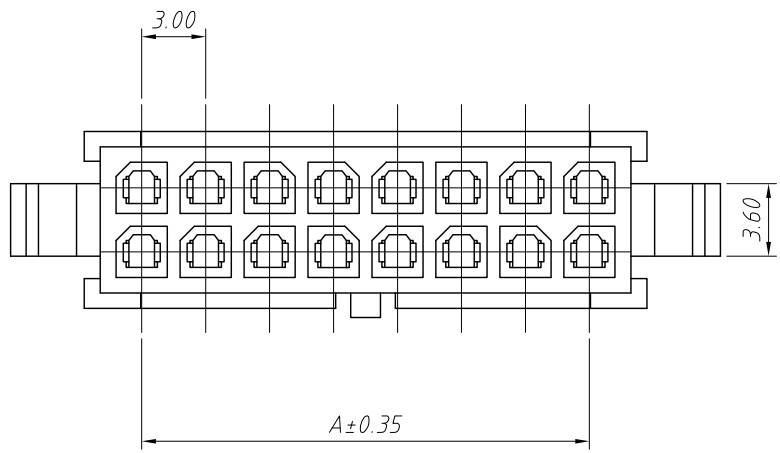
L: RoHS
Pitch:3.00mm
Pins: _____
1-Single layer
2-Double layer
XX-No.of 02~12 pins
Type: _____
MH / FH / FHN-Hosing
MT / FT-Terminal

ANGLE TOLERANCE	PROJECTION	Description:	3.0mm Pitch Molex Micro Fit 3.0 43020 43025	
$\pm 3^\circ$			43045 43030 43031 43645 43640 Wire To Board Connector	
GENERAL TOLERANCE	UNITS	mm	KLS P/N: L-KLS1-XM1-3.00-1x02-FH	
x.x ± 0.30	SHEET SIZE	A4	NingBo KLS ELECTRONIC CO.,L TD.	
x.xx ± 0.20	Draw:	Daniel		2021-01-11
x.xxx ± 0.10	Check:	Daniel		2021-01-11

1
RoHS Compliance

2 3 4 5 6 7 8

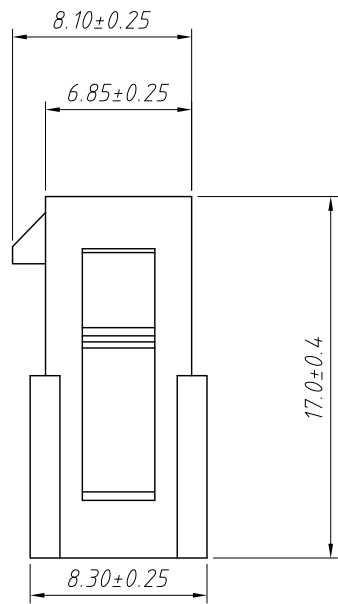
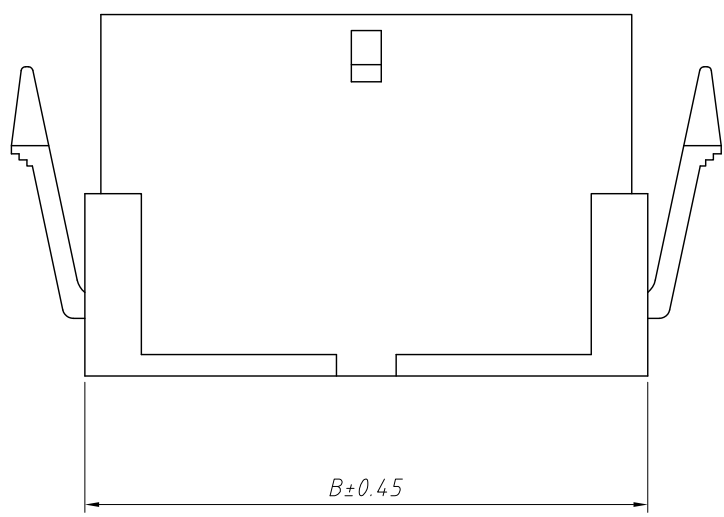
A
B
C
D
E
F
G
H



Material:
Housing:PA66,UL 94 V-2

Electrical Characteristics:
Rated Current:5.0AMP
Voltage rating:250V AC,DC
Temperature range:-25°C ~ + 85°C
Insulator Resistance:1000MΩ Min
Withstanding Voltage:1500V AC/minute
Contact Resistance:10mΩ Max

Pin	Dimensions(mm)	
	A	B
2×01	---	5.35
2×02	3.00	8.35
2×03	6.00	11.35
2×04	9.00	14.35
2×05	12.00	17.35
2×06	15.00	20.35
2×07	18.00	23.35
2×08	21.00	26.35
2×09	24.00	29.35
2×10	27.00	32.35
2×11	30.00	35.35
2×12	33.00	38.35

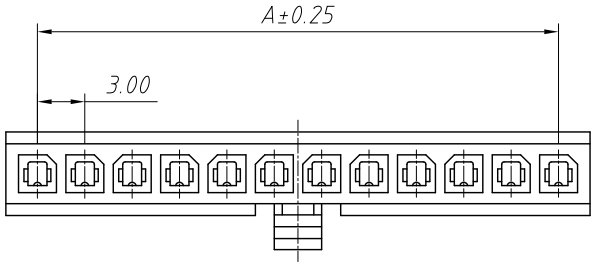


Order Information:
L-KLS1-XM1-3.00-2×01-FH
L: RoHS
Pitch:3.00mm
Pins: _____
1-Single layer
2-Double layer
XX-No.of 01~12 pins
Type: _____
MH / FH / FHN-Hosing
MT / FT-Terminal

ANGLE TOLERANCE	PROJECTION	Description:	3.0mm Pitch Molex Micro Fit 3.0 43020 43025
±3°		43045 43030 43031 43645 43640 Wire To Board Connector	
GENERAL TOLERANCE	UNITS	mm	KLS P/N: L-KLS1-XM1-3.00-2×01-FH
x.x ±0.30	SHEET SIZE	A4	NingBo KLS ELECTRONIC CO.,L TD.
x.xx ±0.20	Draw:	Daniel	
x.xxx ±0.10	Check:	Daniel	

1 2 3 4 5 6 7 8

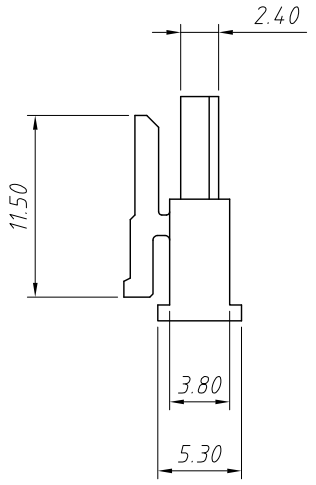
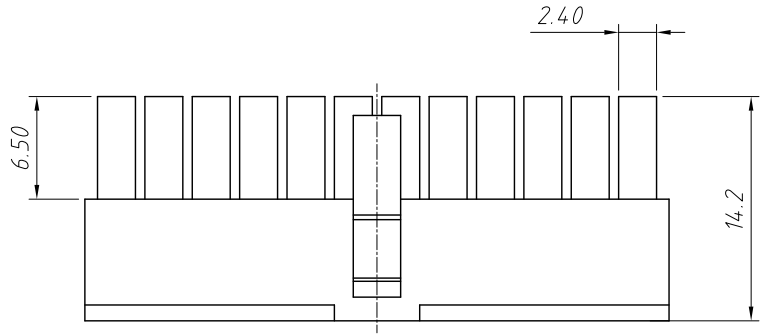
1
RoHS Compliance



Material:
Housing:PA66,UL 94 V-0/2

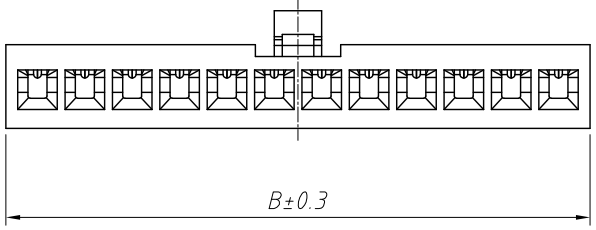
Electrical Characteristics:
Rated Current:5.0AMP
Voltage rating:250V AC,DC
Temperature range:-25°C ~ + 85°C
Insulator Resistance:1000MΩ Min
Withstanding Voltage:1500V AC/minute
Contact Resistance:10mΩ Max

Pin	Dimensions(mm)	
	A	B
02	3.00	7.00
03	6.00	10.00
04	9.00	13.00
05	12.00	16.00
06	15.00	19.00
07	18.00	22.00
08	21.00	25.00
09	24.00	28.00
10	27.00	31.00
11	30.00	34.00
12	33.00	37.00



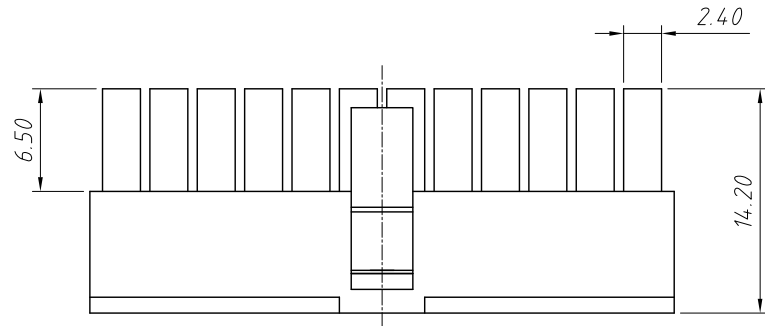
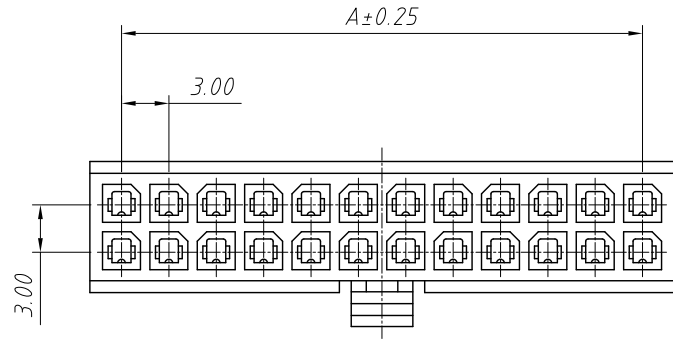
Order Information:
L-KLS1-XM1-3.00-1×02-MH

L: RoHS
Pitch:3.00mm
Pins: _____
1-Single layer
2-Double layer
XX-No.of 02~12 pins
Type: _____
MH / FH / FHN-Hosing
MT / FT-Terminal



ANGLE TOLERANCE	PROJECTION	Description:	3.0mm Pitch Molex Micro Fit 3.0 43020 43025
±3°			43045 43030 43031 43645 43640 Wire To Board Connector
GENERAL TOLERANCE	UNITS	mm	KLS P/N: L-KLS1-XM1-3.00-1×02-MH
x.x ±0.30	SHEET SIZE	A4	NingBo KLS ELECTRONIC CO.,L TD.
x.xx ±0.20	Draw:	Daniel 2021-01-11	
x.xxx ±0.10	Check:	Daniel 2021-01-11	

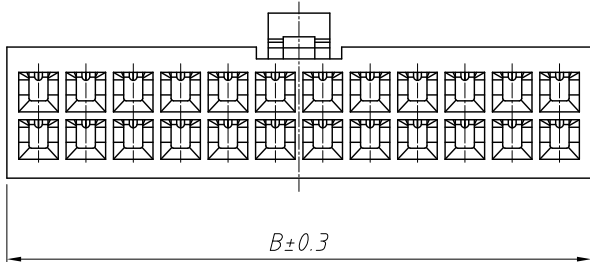
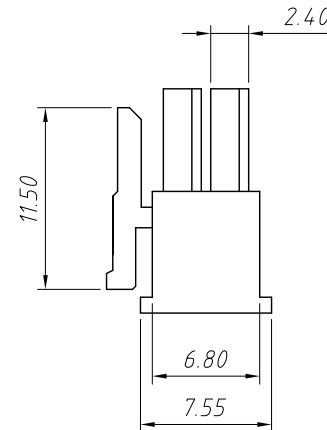
1 RoHS Compliance



Material:
 Housing: PA66, UL 94 V-0/2

Electrical Characteristics:
 Rated Current: 5.0AMP
 Voltage rating: 250V AC, DC
 Temperature range: -25°C ~ + 85°C
 Insulator Resistance: 1000MΩ Min
 Withstanding Voltage: 1500V AC/minute
 Contact Resistance: 10mΩ Max

Pin	Dimensions(mm)	
	A	B
2×01	---	5.50
2×02	3.00	8.50
2×03	6.00	10.00
2×04	9.00	13.00
2×05	12.00	16.00
2×06	15.00	19.00
2×07	18.00	22.00
2×08	21.00	25.00
2×09	24.00	28.00
2×10	27.00	31.00
2×11	30.00	34.00
2×12	33.00	37.00

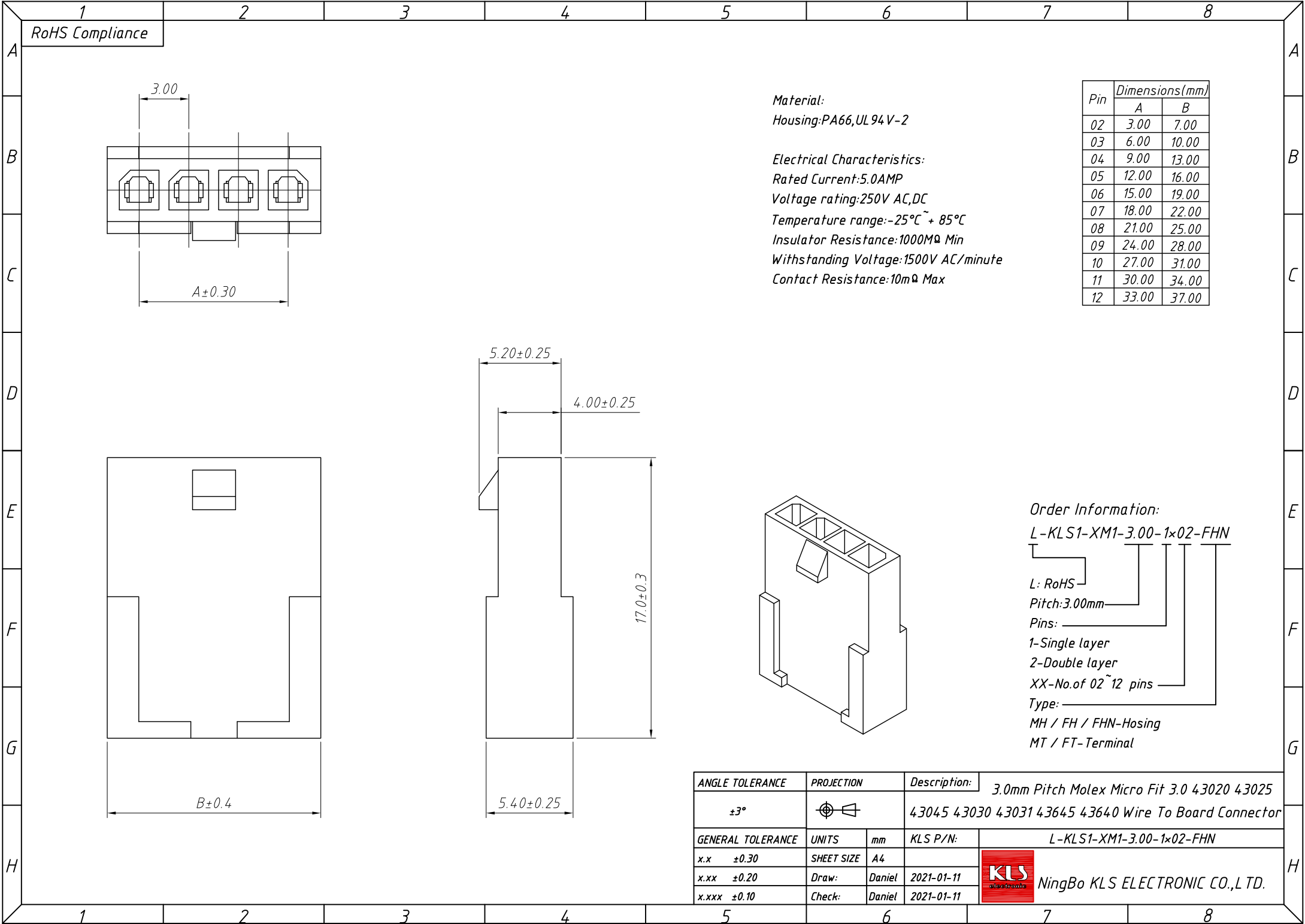


Order Information:
 L-KLS1-XM1-3.00-2×01-MH

L: RoHS
 Pitch: 3.00mm
 Pins: _____
 1-Single layer
 2-Double layer
 XX-No. of 01~12 pins
 Type: _____
 MH / FH / FHN-Hosing
 MT / FT-Terminal

ANGLE TOLERANCE	PROJECTION	Description:	3.0mm Pitch Molex Micro Fit 3.0 43020 43025
±3°			43045 43030 43031 43645 43640 Wire To Board Connector
GENERAL TOLERANCE	UNITS	mm	KLS P/N: L-KLS1-XM1-3.00-2×01-MH
x.x ±0.30	SHEET SIZE	A4	NingBo KLS ELECTRONIC CO.,L TD.
x.xx ±0.20	Draw:	Daniel	
x.xxx ±0.10	Check:	Daniel	

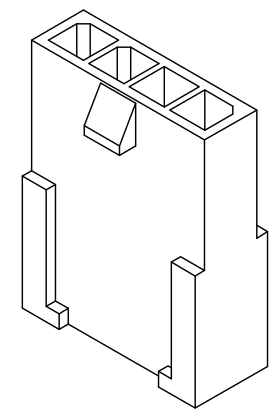
1
RoHS Compliance



Material:
Housing:PA66,UL94V-2

Electrical Characteristics:
Rated Current:5.0AMP
Voltage rating:250V AC,DC
Temperature range:-25°C ~ + 85°C
Insulator Resistance:1000M Ω Min
Withstanding Voltage:1500V AC/minute
Contact Resistance:10m Ω Max

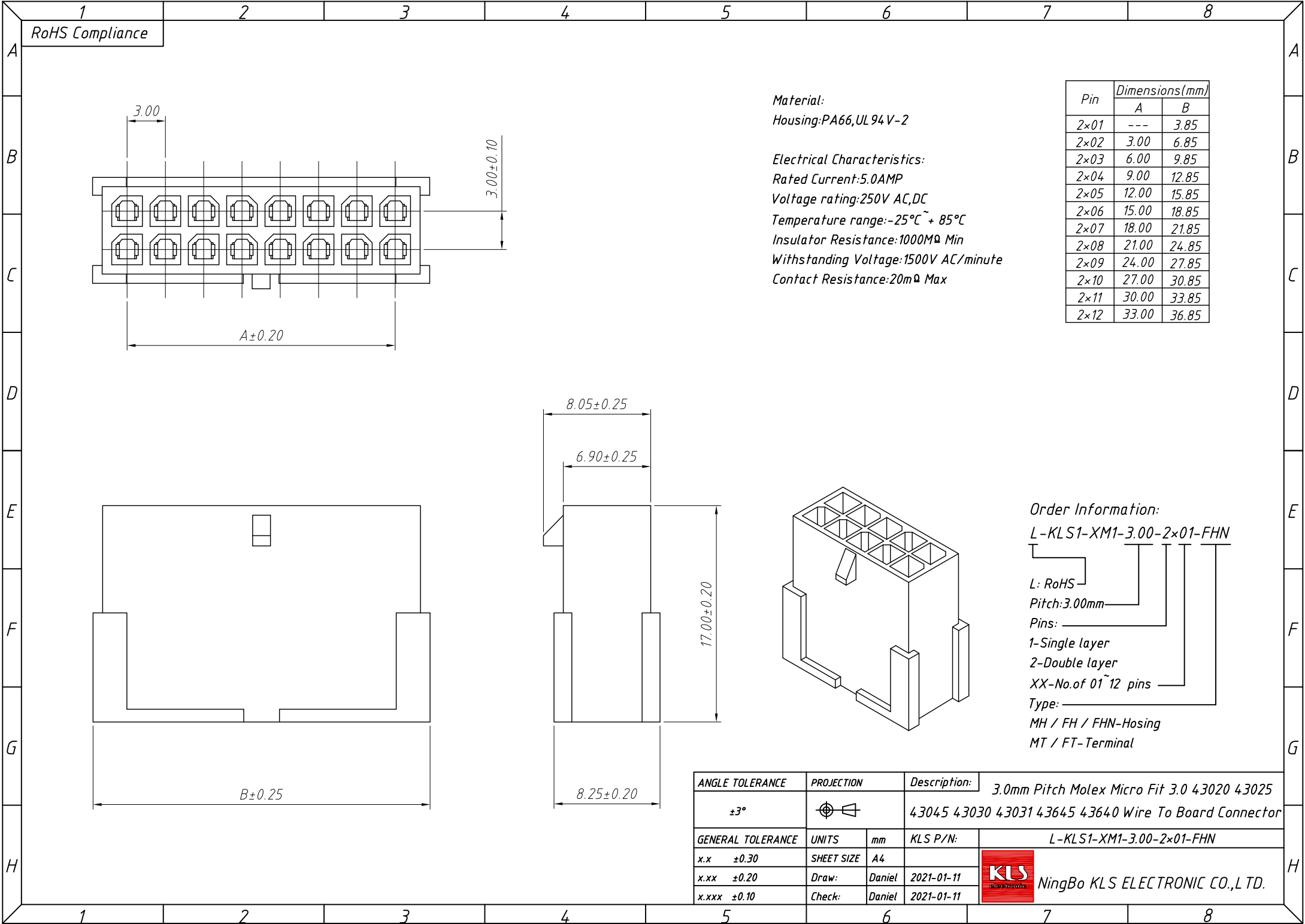
Pin	Dimensions(mm)	
	A	B
02	3.00	7.00
03	6.00	10.00
04	9.00	13.00
05	12.00	16.00
06	15.00	19.00
07	18.00	22.00
08	21.00	25.00
09	24.00	28.00
10	27.00	31.00
11	30.00	34.00
12	33.00	37.00



Order Information:
L-KLS1-XM1-3.00-1x02-FHN
L: RoHS
Pitch:3.00mm
Pins: _____
1-Single layer
2-Double layer
XX-No.of 02~12 pins
Type: _____
MH / FH / FHN-Hosing
MT / FT-Terminal

ANGLE TOLERANCE	PROJECTION	Description:	3.0mm Pitch Molex Micro Fit 3.0 43020 43025	
$\pm 3^\circ$			43045 43030 43031 43645 43640 Wire To Board Connector	
GENERAL TOLERANCE	UNITS	mm	KLS P/N: L-KLS1-XM1-3.00-1x02-FHN	
x.x ± 0.30	SHEET SIZE	A4	NingBo KLS ELECTRONIC CO.,L TD.	
x.xx ± 0.20	Draw:	Daniel		2021-01-11
x.xxx ± 0.10	Check:	Daniel		2021-01-11

1
RoHS Compliance



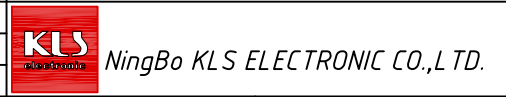
Material:
Housing:PA66,UL94V-2

Electrical Characteristics:
Rated Current:5.0AMP
Voltage rating:250V AC,DC
Temperature range:-25°C ~ +85°C
Insulator Resistance:1000M Ω Min
Withstanding Voltage:1500V AC/minute
Contact Resistance:20m Ω Max

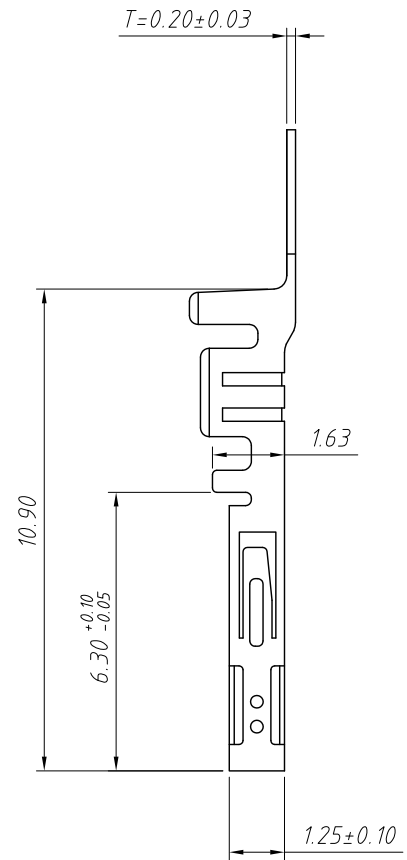
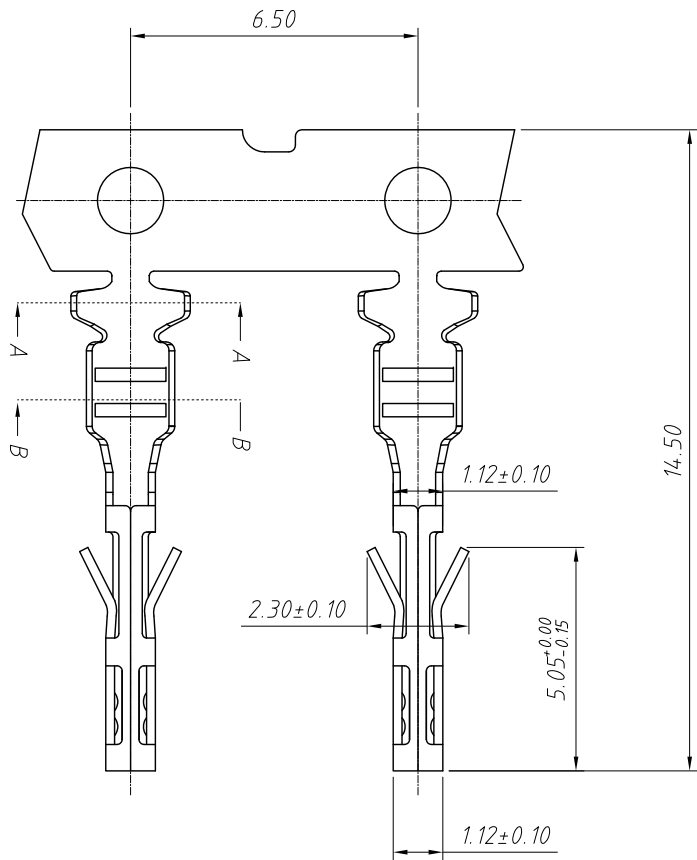
Pin	Dimensions(mm)	
	A	B
2x01	---	3.85
2x02	3.00	6.85
2x03	6.00	9.85
2x04	9.00	12.85
2x05	12.00	15.85
2x06	15.00	18.85
2x07	18.00	21.85
2x08	21.00	24.85
2x09	24.00	27.85
2x10	27.00	30.85
2x11	30.00	33.85
2x12	33.00	36.85

Order Information:
L-KLS1-XM1-3.00-2x01-FHN
L: RoHS
Pitch:3.00mm
Pins: _____
1-Single layer
2-Double layer
XX-No.of 01~12 pins
Type: _____
MH / FH / FHN-Hosing
MT / FT-Terminal

ANGLE TOLERANCE	PROJECTION	Description:	3.0mm Pitch Molex Micro Fit 3.0 43020 43025
$\pm 3^\circ$			43045 43030 43031 43645 43640 Wire To Board Connector
GENERAL TOLERANCE	UNITS	mm	KLS P/N:
x.x ± 0.30	SHEET SIZE	A4	L-KLS1-XM1-3.00-2x01-FHN
x.xx ± 0.20	Draw:	Daniel	2021-01-11
x.xxx ± 0.10	Check:	Daniel	2021-01-11

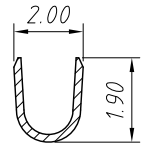
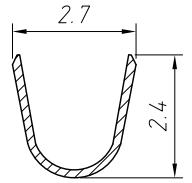
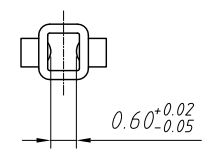


1 RoHS Compliance



Material:
 Terminal: Phosphor Bronze
 Plating: Tin plated Over nickel
 Applicable wires: AWG #20 ~ #24
 Insulation O.D: 1.30 ~ 1.80mm
 Qty/reel: 10000PCS

Electrical Characteristics:
 Current rating: 5.0A AC,DC
 Voltage rating: 250V AC,DC
 Temperature range: -25°C ~ +85°C
 Insulation resistance: 1000MΩ/Min.
 Withstanding voltage: 1500V AC/minute
 Contact resistance: 10mΩ/Max.



SECTION A-A

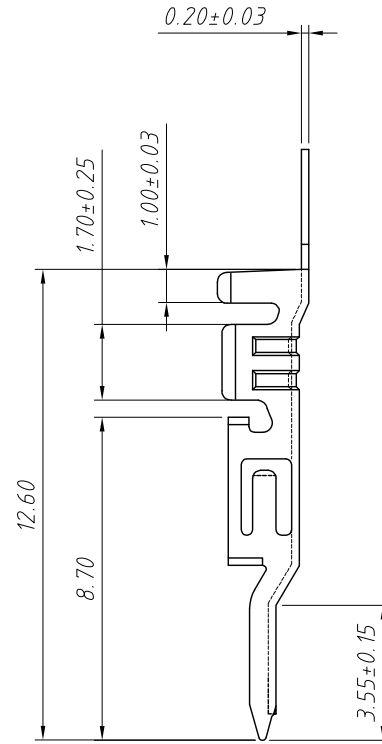
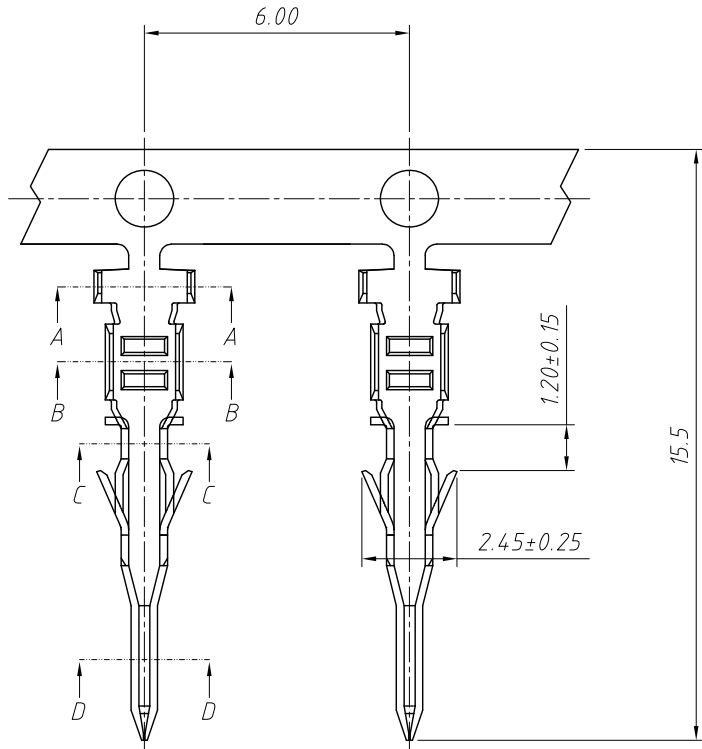
SECTION B-B

Order Information:
 L-KLS1-XM1-3.00-FT

L: RoHS
 Pitch: 3.00mm
 Type: _____
 MH / FH / FHN-Hosing
 MT / FT-Terminal

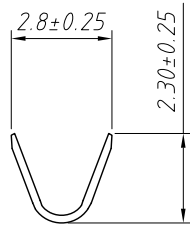
ANGLE TOLERANCE	PROJECTION	Description:	3.0mm Pitch Molex Micro Fit 3.0 43020 43025
±3°			43045 43030 43031 43645 43640 Wire to Board Connector
GENERAL TOLERANCE	UNITS	mm	KLS P/N: L-KLS1-XM1-3.00-FT
x.x ±0.30	SHEET SIZE	A4	NingBo KLS ELECTRONIC CO.,L.TD.
x.xx ±0.20	Draw:	Daniel 2020-11-11	
x.xxx ±0.10	Check:	Daniel 2020-11-11	

1 RoHS Compliance

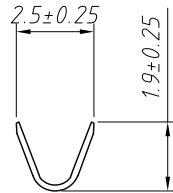


Material:
 Terminal: Phosphor Bronze
 Plating: Tin plated Over nickel
 Applicable wires: AWG #22 ~ #28
 Insulation O.D.: 1.80mm Max.
 Qty/reel: 10000PCS

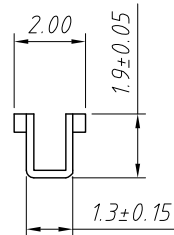
Electrical Characteristics:
 Current rating: 5.0A AC,DC
 Voltage rating: 250V AC,DC
 Temperature range: -25°C ~ +85°C
 Insulation resistance: 1000MΩ/Min.
 Withstanding voltage: 1500V AC/minute
 Contact resistance: 10mΩ/Max.



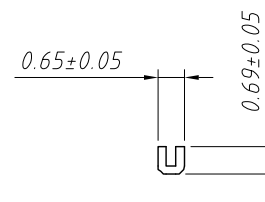
SECTION A-A



SECTION B-B



SECTION C-C



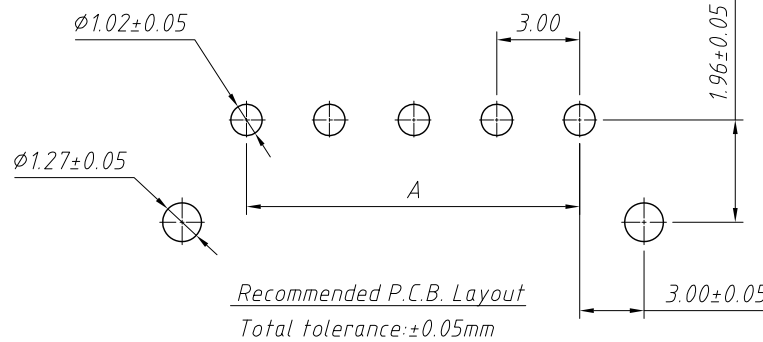
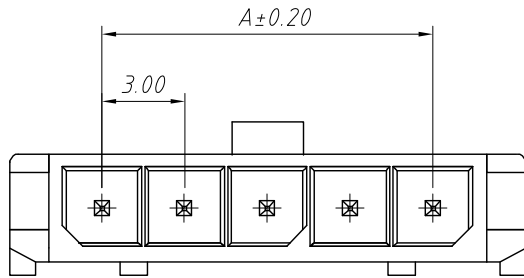
SECTION D-D

Order Information:
 L-KLS1-XM1-3.00-MT

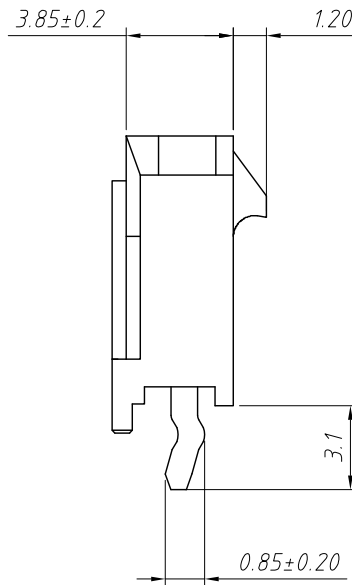
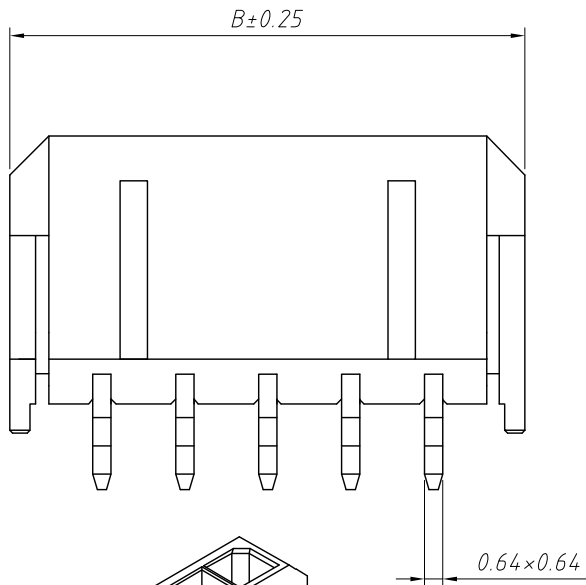
L: RoHS
 Pitch: 3.00mm
 Type: MH / FH / FHN-Hosing
 MT / FT-Terminal

ANGLE TOLERANCE	PROJECTION	Description:	3.0mm Pitch Molex Micro Fit 3.0 43020 43025	
±3°			43045 43030 43031 43645 43640 Wire to Board Connector	
GENERAL TOLERANCE	UNITS	mm	KLS P/N: L-KLS1-XM1-3.00-MT	
x.x ±0.30	SHEET SIZE	A4	NingBo KLS ELECTRONIC CO.,LTD.	
x.xx ±0.20	Draw:	Daniel		2020-11-11
x.xxx ±0.10	Check:	Daniel		2020-11-11

RoHS Compliance



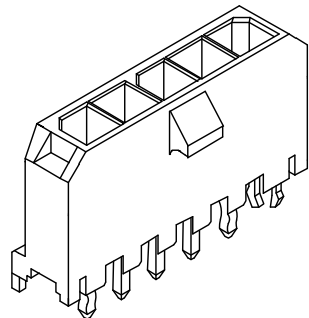
Pin	Dimensions(mm)	
	A	B
02	3.00	9.65
03	6.00	12.65
04	9.00	15.65
05	12.00	18.65
06	15.00	21.65
07	18.00	24.65
08	21.00	27.65
09	24.00	30.65
10	27.00	33.65
11	30.00	36.65
12	33.00	39.65



Material:
 Insulator: PA9T, UL94V-0
 Contact: Brass
 Plating: Tin plated or Gold plated

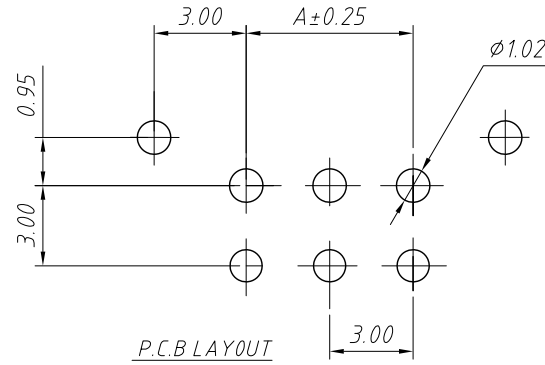
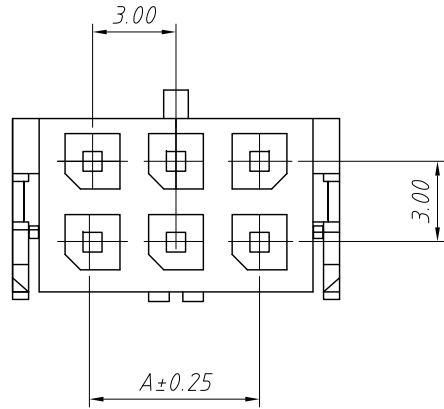
Electrical Characteristics:
 Rated Current: 5.0AMP
 Voltage rating: 250V AC,DC
 Temperature range: $-25^{\circ}\text{C} \sim +85^{\circ}\text{C}$
 Insulator Resistance: 1000M Ω Min
 Withstanding Voltage: 1500V AC/minute
 Contact Resistance: 10m Ω Max

Order Information:
 L-KLS1-XM1-3.00-1x02-S
 L: RoHS
 Pitch: 3.00mm
 Pins: _____
 1-Single layer
 2-Double layer
 XX-No. of 02~12 pins
 Type: _____
 S / SD-Straight male pin



ANGLE TOLERANCE	PROJECTION	Description:	3.0mm Pitch Molex Micro Fit 3.0 43020 43025	
$\pm 3^{\circ}$			43045 43030 43031 43645 43640 Wire To Board Connector	
GENERAL TOLERANCE	UNITS	mm	KLS P/N: L-KLS1-XM1-3.00-1x02-S	
x.x ± 0.30	SHEET SIZE	A4	NingBo KLS ELECTRONIC CO.,L TD.	
x.xx ± 0.20	Draw:	Daniel		2021-01-11
x.xxx ± 0.10	Check:	Daniel		2021-01-11

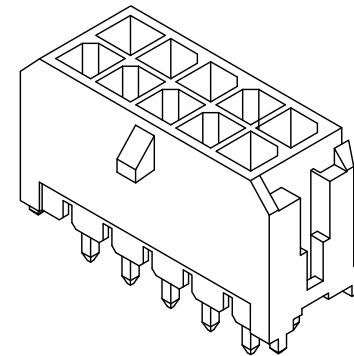
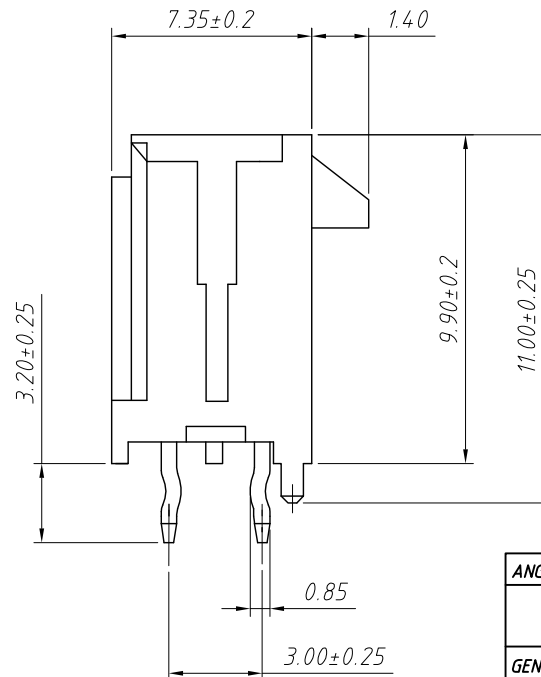
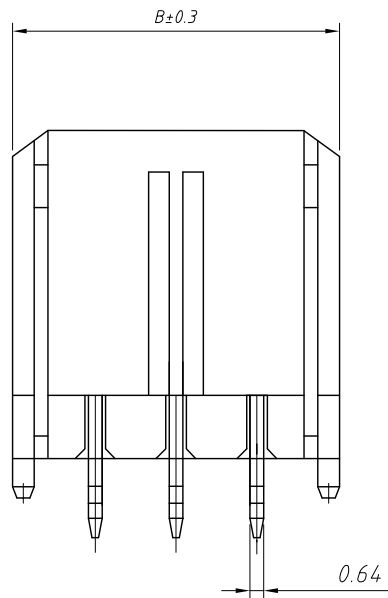
1 RoHS Compliance



Material:
 Insulator:PA46 , UL94V-0
 Contact:Brass
 Plating:Tin plated

Electrical Characteristics:
 Rated Current:5.0AMP
 Voltage rating:250V AC,DC
 Temperature range:-25°C ~ + 85°C
 Insulator Resistance:1000MΩ Min
 Withstanding Voltage:1500V AC/minute
 Contact Resistance:10mΩ Max

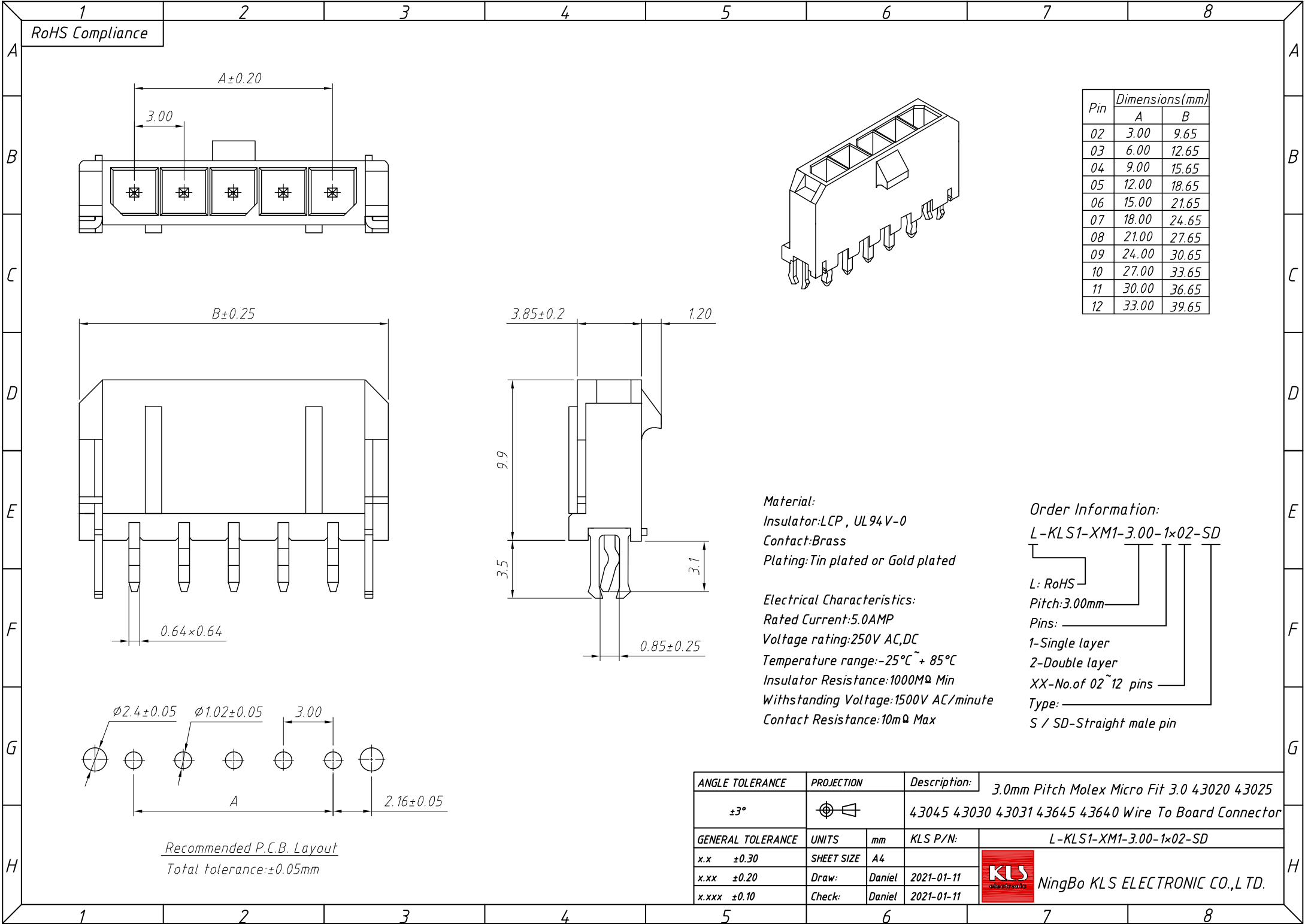
Pin	Dimensions(mm)	
	A	B
01	---	6.65
02	3.00	9.65
03	6.00	12.65
04	9.00	15.65
05	12.00	18.65
06	15.00	21.65
07	18.00	24.65
08	21.00	27.65
09	24.00	30.65
10	27.00	33.65
11	30.00	36.65
12	33.00	39.65



Order Information:
 L-KLS1-XM1-3.00-2x02-S
 L: RoHS
 Pitch:3.00mm
 Pins: _____
 1-Single layer
 2-Double layer
 XX-No.of 01~12 pins
 Type: _____
 S / SD-Straight male pin

ANGLE TOLERANCE	PROJECTION	Description:	3.0mm Pitch Molex Micro Fit 3.0 43020 43025
±3°			43045 43030 43031 43645 43640 Wire To Board Connector
GENERAL TOLERANCE	UNITS	mm	KLS P/N: L-KLS1-XM1-3.00-2x02-S
x.x ±0.30	SHEET SIZE	A4	NingBo KLS ELECTRONIC CO.,L TD.
x.xx ±0.20	Draw:	Daniel 2021-01-11	
x.xxx ±0.10	Check:	Daniel 2021-01-11	

1
RoHS Compliance



Pin	Dimensions(mm)	
	A	B
02	3.00	9.65
03	6.00	12.65
04	9.00	15.65
05	12.00	18.65
06	15.00	21.65
07	18.00	24.65
08	21.00	27.65
09	24.00	30.65
10	27.00	33.65
11	30.00	36.65
12	33.00	39.65

Material:
 Insulator: LCP, UL94V-0
 Contact: Brass
 Plating: Tin plated or Gold plated

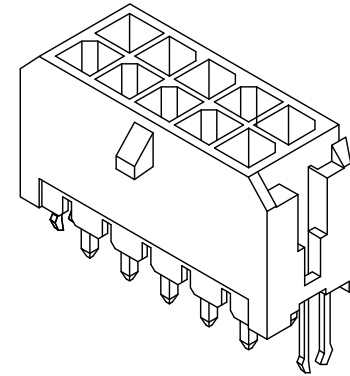
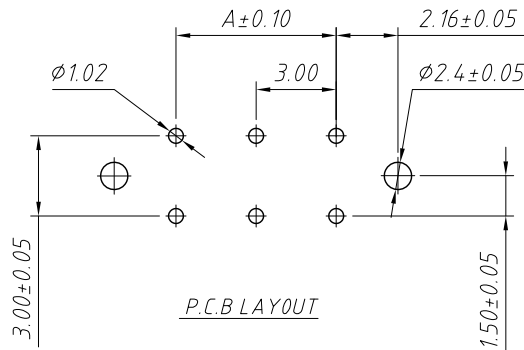
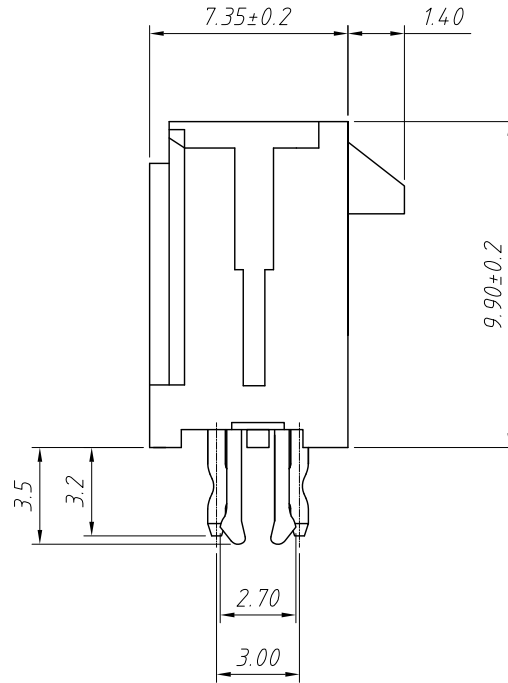
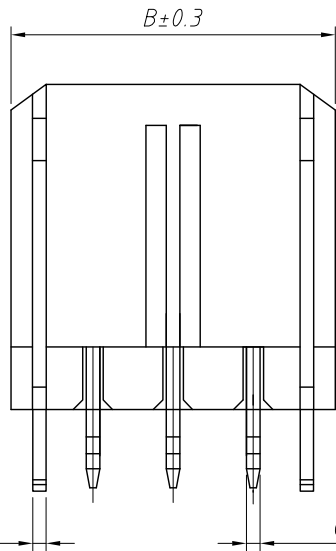
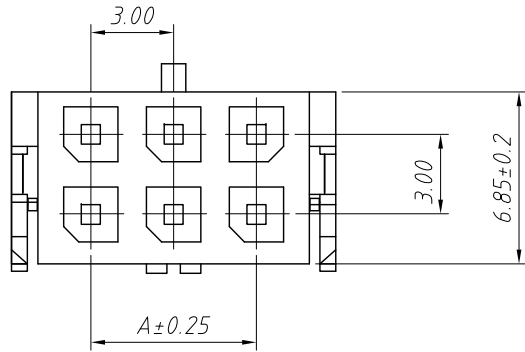
Electrical Characteristics:
 Rated Current: 5.0AMP
 Voltage rating: 250V AC,DC
 Temperature range: -25°C ~ + 85°C
 Insulator Resistance: 1000MΩ Min
 Withstanding Voltage: 1500V AC/minute
 Contact Resistance: 10mΩ Max

Order Information:
 L-KLS1-XM1-3.00-1x02-SD
 L: RoHS
 Pitch: 3.00mm
 Pins: _____
 1-Single layer
 2-Double layer
 XX-No. of 02 ~ 12 pins
 Type: _____
 S / SD-Straight male pin

Recommended P.C.B. Layout
 Total tolerance: ±0.05mm

ANGLE TOLERANCE	PROJECTION	Description:	3.0mm Pitch Molex Micro Fit 3.0 43020 43025	
±3°			43045 43030 43031 43645 43640 Wire To Board Connector	
GENERAL TOLERANCE	UNITS	mm	KLS P/N: L-KLS1-XM1-3.00-1x02-SD	
x.x ±0.30	SHEET SIZE	A4	NingBo KLS ELECTRONIC CO.,L TD.	
x.xx ±0.20	Draw:	Daniel		2021-01-11
x.xxx ±0.10	Check:	Daniel		2021-01-11

RoHS Compliance



Pin	Dimensions(mm)	
	A	B
01	---	6.65
02	3.00	9.65
03	6.00	12.65
04	9.00	15.65
05	12.00	18.65
06	15.00	21.65
07	18.00	24.65
08	21.00	27.65
09	24.00	30.65
10	27.00	33.65
11	30.00	36.65
12	33.00	39.65

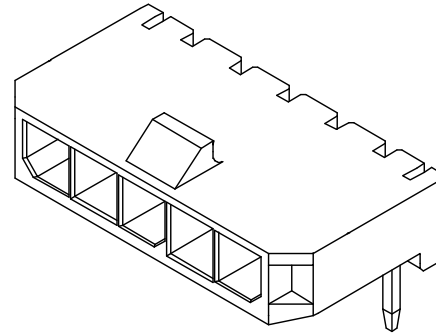
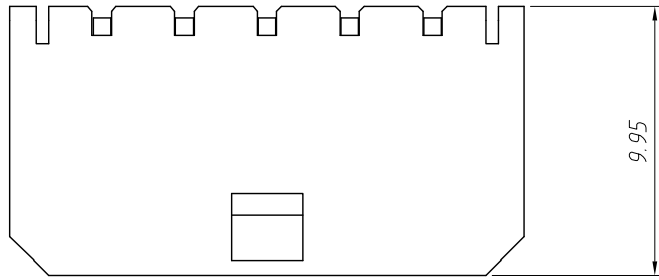
Material:
 Insulator: LCP, UL94 V-0
 Contact: Brass
 Plating: Tin plated over Ni

Electrical Characteristics:
 Rated Current: 5.0AMP
 Voltage rating: 250V AC,DC
 Temperature range: -25°C ~ +85°C
 Insulator Resistance: 1000MΩ Min
 Withstanding Voltage: 1500V AC/minute
 Contact Resistance: 10mΩ Max

Order Information:
 L-KLS1-XM1-3.00-2x02-SD
 L: RoHS
 Pitch: 3.00mm
 Pins: _____
 1-Single layer
 2-Double layer
 XX-No. of 01~12 pins
 Type: _____
 S / SD-Straight male pin

ANGLE TOLERANCE	PROJECTION	Description:	3.0mm Pitch Molex Micro Fit 3.0 43020 43025	
±3°			43045 43030 43031 43645 43640 Wire To Board Connector	
GENERAL TOLERANCE	UNITS	mm	KLS P/N: L-KLS1-XM1-3.00-2x02-SD	
x.x ±0.30	SHEET SIZE	A4	NingBo KLS ELECTRONIC CO.,L TD.	
x.xx ±0.20	Draw:	Daniel		2021-01-11
x.xxx ±0.10	Check:	Daniel		2021-01-11

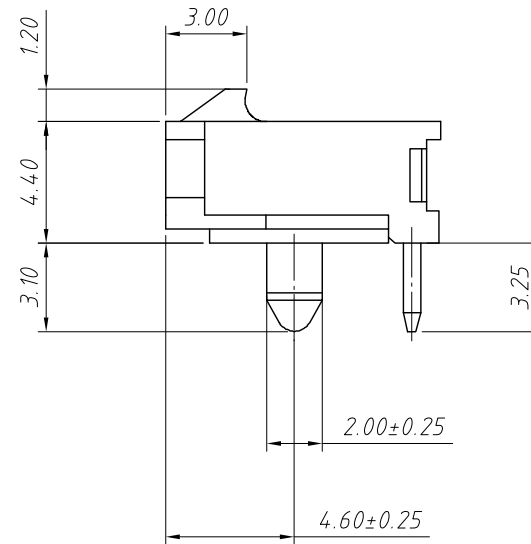
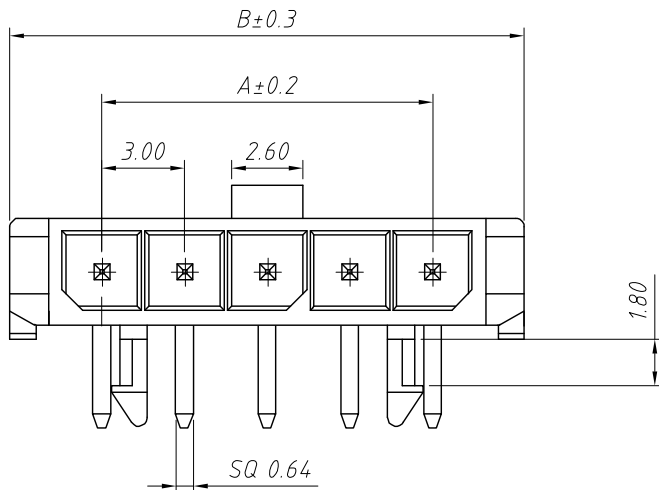
1 RoHS Compliance



Material:
 Insulator: PA9T, UL94V-0
 Contact: Brass
 Plating: Tin plated or Gold plated

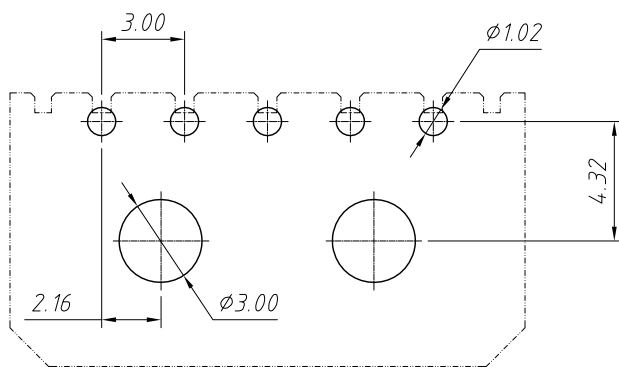
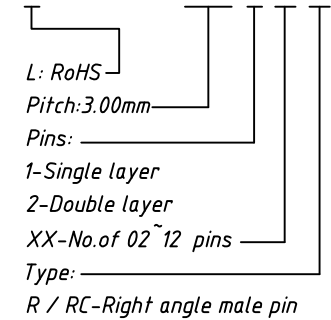
Electrical Characteristics:
 Rated Current: 5.0AMP
 Voltage rating: 250V AC, DC
 Temperature range: -25°C ~ +85°C
 Insulator Resistance: 1000MΩ Min
 Withstanding Voltage: 1500V AC/minute
 Contact Resistance: 10mΩ Max

Pin	Dimensions(mm)	
	A	B
02	3.00	9.65
03	6.00	12.65
04	9.00	15.65
05	12.00	18.65
06	15.00	21.65
07	18.00	24.65
08	21.00	27.65
09	24.00	30.65
10	27.00	33.65
11	30.00	36.65
12	33.00	39.65



Order Information:

L-KLS1-XM1-3.00-1x02-R



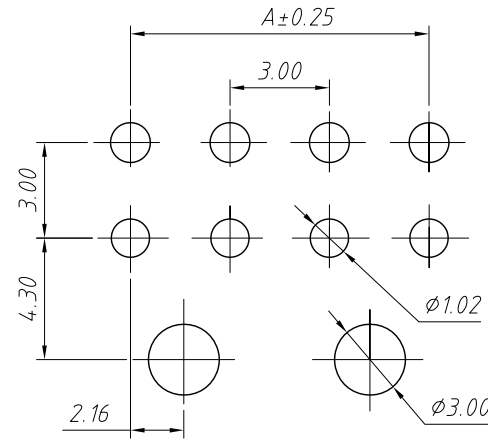
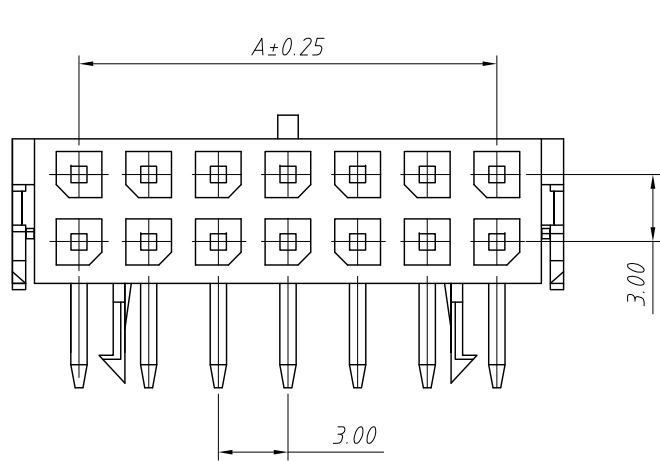
Recommended P.C.B. Layout
 Total tolerance: ±0.05mm

ANGLE TOLERANCE	PROJECTION	Description:
±3°		3.0mm Pitch Molex Micro Fit 3.0 43020 43025 43045 43030 43031 43645 43640 Wire To Board Connector
GENERAL TOLERANCE	UNITS	mm
x.x ±0.30	SHEET SIZE	A4
x.xx ±0.20	Draw:	Daniel 2021-01-11
x.xxx ±0.10	Check:	Daniel 2021-01-11

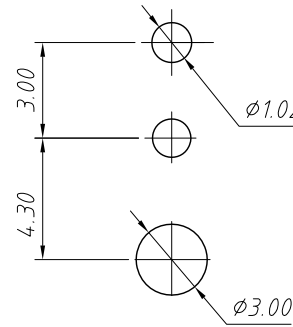


NingBo KLS ELECTRONIC CO.,LTD.

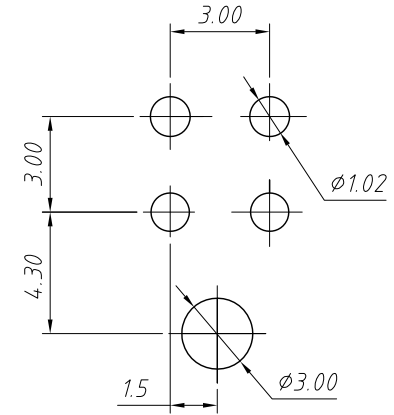
1 RoHS Compliance



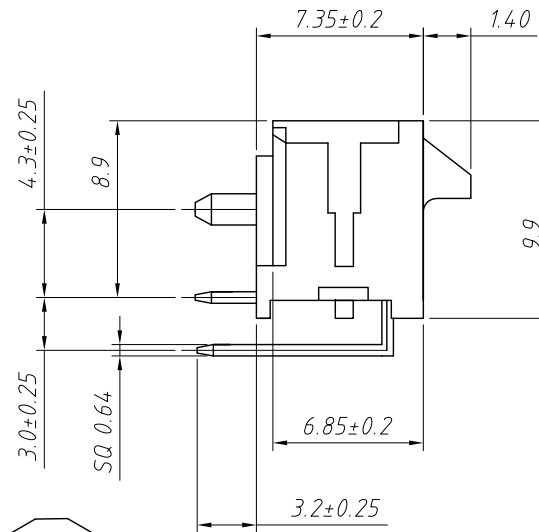
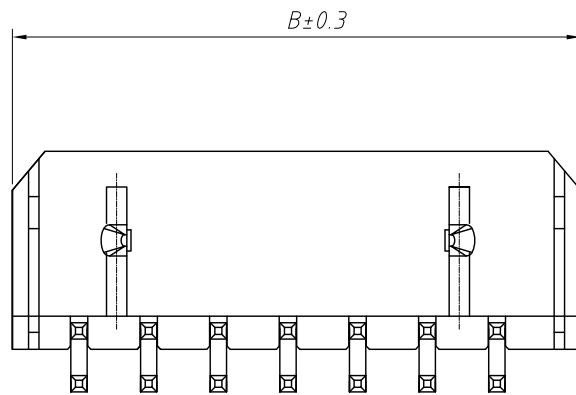
2x4P~2x12P P.C.B LAYOUT



2x1P P.C.B LAYOUT



2x2P~2x3P P.C.B LAYOUT



Pin	Dimensions(mm)	
	A	B
01	---	6.65
02	3.00	9.65
03	6.00	12.65
04	9.00	15.65
05	12.00	18.65
06	15.00	21.65
07	18.00	24.65
08	21.00	27.65
09	24.00	30.65
10	27.00	33.65
11	30.00	36.65
12	33.00	39.65

Order Information:

L-KLS1-XM1-3.00-2x02-R

L: RoHS

Pitch:3.00mm

Pins:

1-Single layer

2-Double layer

XX-No.of 01~12 pins

Type:

R / RC-Right angle male pin

Material:

Insulator:PA46 , UL94 V-0

Contact:Brass

Plating:Tin plated

Electrical Characteristics:

Rated Current:5.0AMP

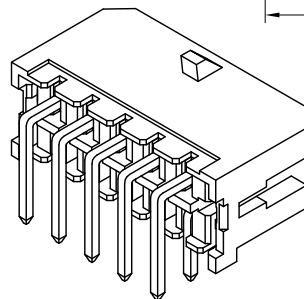
Voltage rating:250V AC,DC

Temperature range:-25°C ~ + 85°C

Insulator Resistance:1000MΩ Min

Withstanding Voltage:1500V AC/minute

Contact Resistance:10mΩ Max

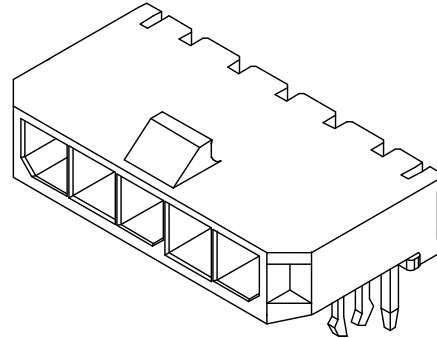
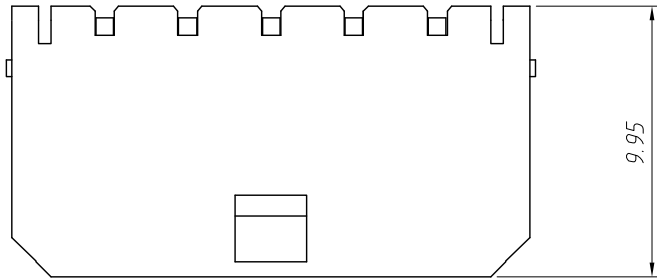


ANGLE TOLERANCE	PROJECTION	Description:
±3°		3.0mm Pitch Molex Micro Fit 3.0 43020 43025 43045 43030 43031 43645 43640 Wire To Board Connector
GENERAL TOLERANCE	UNITS	mm
x.x ±0.30	SHEET SIZE	A4
x.xx ±0.20	Draw:	Daniel 2021-01-11
x.xxx ±0.10	Check:	Daniel 2021-01-11



NingBo KLS ELECTRONIC CO.,L TD.

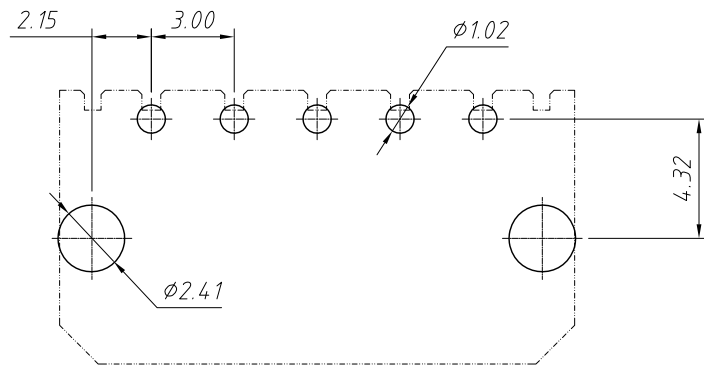
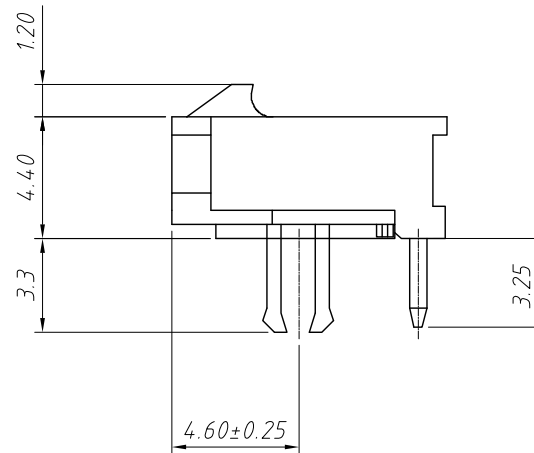
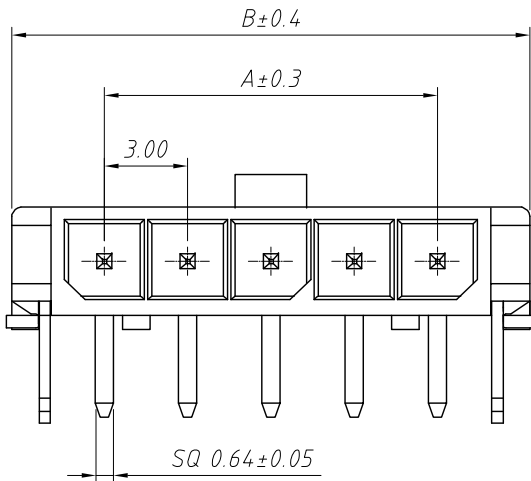
1 RoHS Compliance



Material:
 Insulator:LCP , UL94 V-0
 Contact:Brass
 Plating: Tin plated or Gold plated

Electrical Characteristics:
 Rated Current:5.0AMP
 Voltage rating:250V AC,DC
 Temperature range:-25°C ~ + 85°C
 Insulator Resistance:1000M Ω Min
 Withstanding Voltage:1500V AC/minute
 Contact Resistance:10m Ω Max

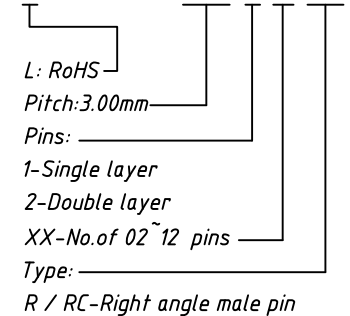
Pin	Dimensions(mm)	
	A	B
02	3.00	9.65
03	6.00	12.65
04	9.00	15.65
05	12.00	18.65
06	15.00	21.65
07	18.00	24.65
08	21.00	27.65
09	24.00	30.65
10	27.00	33.65
11	30.00	36.65
12	33.00	39.65



Recommended P.C.B. Layout
 Total tolerance:±0.05mm

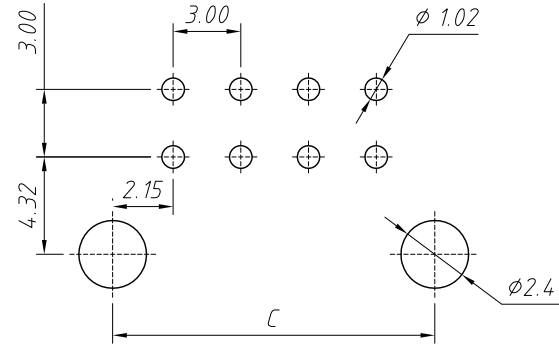
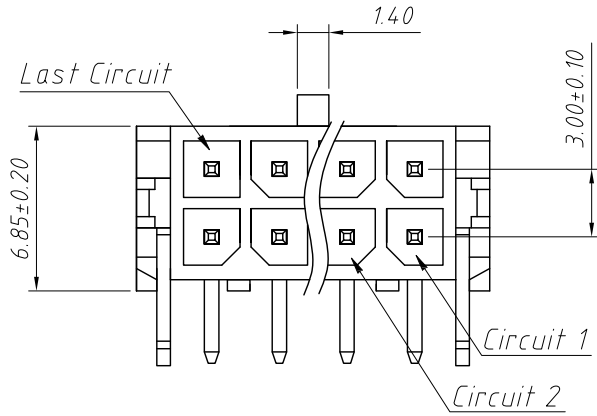
Order Information:

L-KLS1-XM1-3.00-1x02-RC



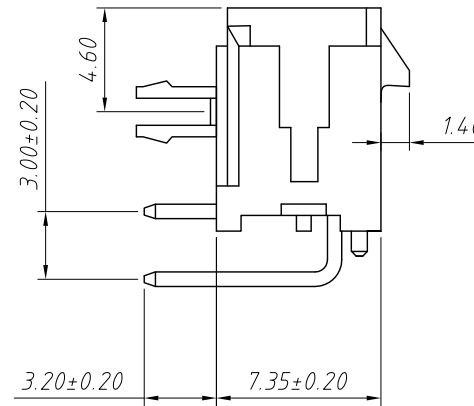
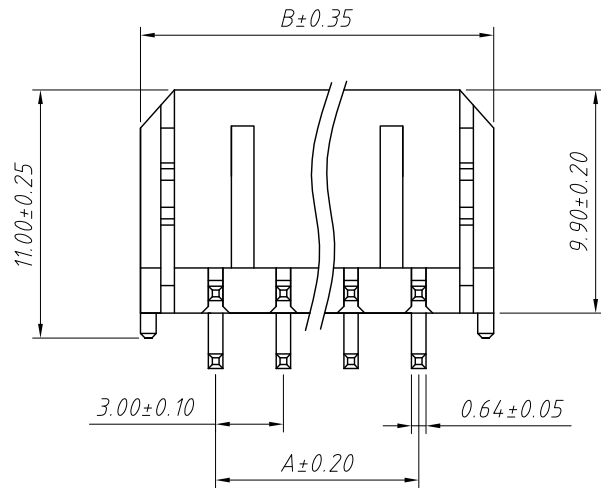
ANGLE TOLERANCE	PROJECTION	Description:	3.0mm Pitch Molex Micro Fit 3.0 43020 43025
±3°			43045 43030 43031 43645 43640 Wire To Board Connector
GENERAL TOLERANCE	UNITS	mm	KLS P/N: L-KLS1-XM1-3.00-1x02-RC
x.x ±0.30	SHEET SIZE	A4	NingBo KLS ELECTRONIC CO.,L TD.
x.xx ±0.20	Draw:	Daniel 2021-01-11	
x.xxx ±0.10	Check:	Daniel 2021-01-11	

1 RoHS Compliance



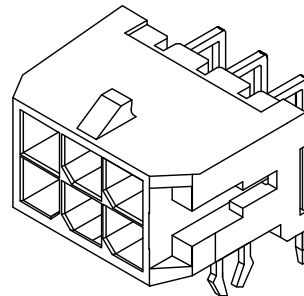
Recommended P.C.B. Layout
Total tolerance: ±0.05mm

Pin	Dimensions(mm)		
	A	B	C
01	---	6.65	4.30
02	3.00	9.65	7.30
03	6.00	12.65	10.30
04	9.00	15.65	13.30
05	12.00	18.65	16.30
06	15.00	21.65	19.30
07	18.00	24.65	22.30
08	21.00	27.65	25.30
09	24.00	30.65	28.30
10	27.00	33.65	31.30
11	30.00	36.65	34.30
12	33.00	39.65	37.30



Material:
Insulator: PA46, UL94V-0
Contact: Brass, Tin plated

Electrical Characteristics:
Rated Current: 5.0AMP
Voltage rating: 250V AC, DC
Temperature range: -25°C ~ +85°C
Insulator Resistance: 1000MΩ Min
Withstanding Voltage: 1500V AC/minute
Contact Resistance: 10mΩ Max

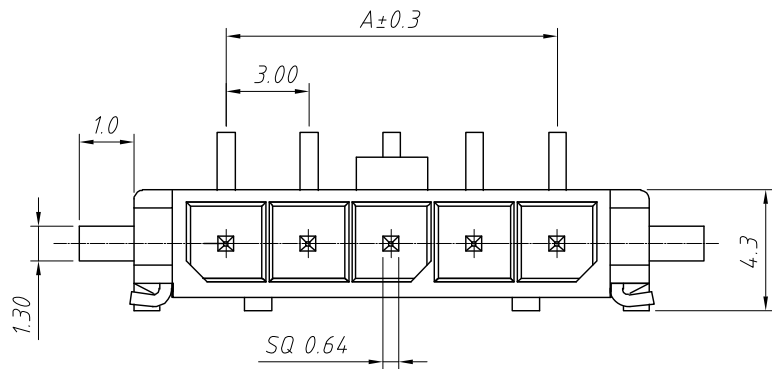


Order Information:
L-KLS1-XM1-3.00-2x02-RC

L: RoHS
Pitch: 3.00mm
Pins: _____
1-Single layer
2-Double layer
XX-No. of 01~12 pins
Type: _____
R / RC-Right angle male pin

ANGLE TOLERANCE	PROJECTION	Description:	3.0mm Pitch Molex Micro Fit 3.0 43020 43025
±3°			43045 43030 43031 43645 43640 Wire To Board Connector
GENERAL TOLERANCE	UNITS	mm	KLS P/N: L-KLS1-XM1-3.00-2x02-RC
x.x ±0.30	SHEET SIZE	A4	NingBo KLS ELECTRONIC CO.,L TD.
x.xx ±0.20	Draw:	Daniel 2021-01-11	
x.xxx ±0.10	Check:	Daniel 2021-01-11	

1 RoHS Compliance

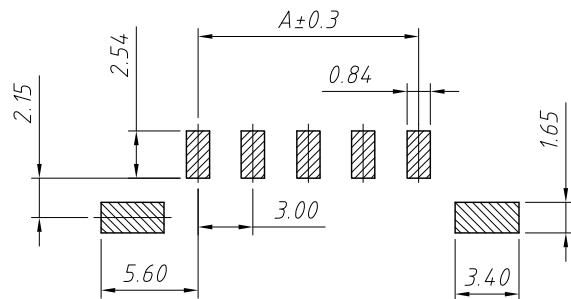
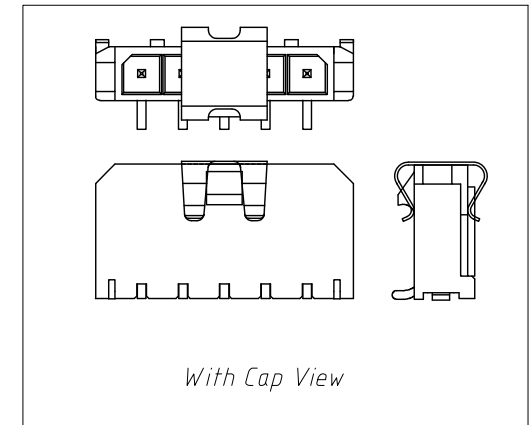
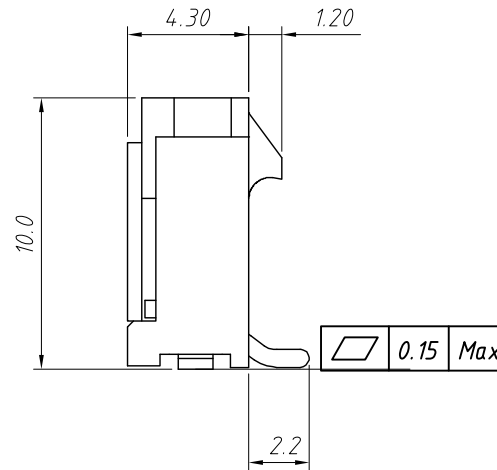
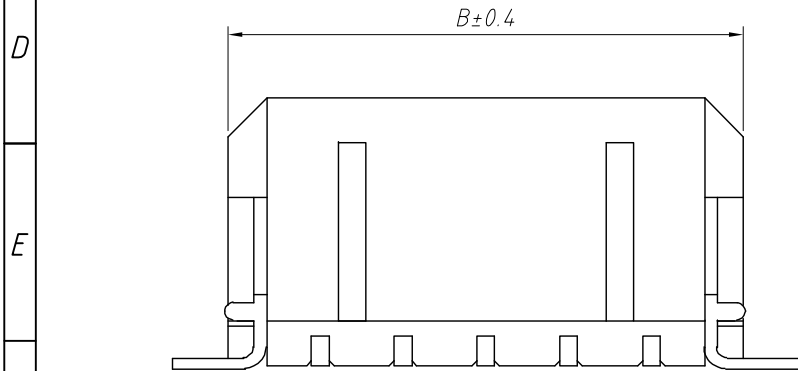


Order Information:
 L-KLS1-XM1-3.00-1x02-VT
 L: RoHS
 Pitch: 3.00mm
 Pins: _____
 1-Single layer
 2-Double layer
 XX-No. of 02~12 pins
 Type: _____
 VT / VMT-Vertical SMT Pin
 RT / RMT-Horizontal SMT Pin

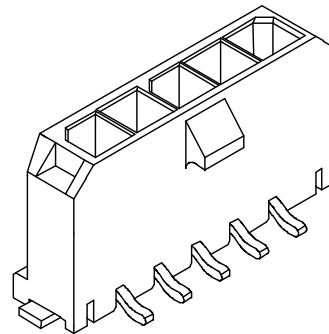
Material:
 Insulator: LCP, UL94V-0
 Contact: Brass
 Plating: Tin plated

Electrical Characteristics:
 Rated Current: 5.0AMP
 Voltage rating: 250V AC, DC
 Temperature range: -25°C ~ +85°C
 Insulator Resistance: 1000MΩ Min
 Withstanding Voltage: 1500V AC/minute
 Contact Resistance: 10mΩ Max

Pin	Dimensions(mm)	
	A	B
02	3.00	9.70
03	6.00	12.70
04	9.00	15.70
05	12.00	18.70
06	15.00	21.70
07	18.00	24.70
08	21.00	27.70
09	24.00	30.70
10	27.00	33.70
11	30.00	36.70
12	33.00	39.70



PCB LAYOUT

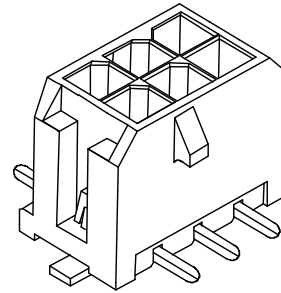
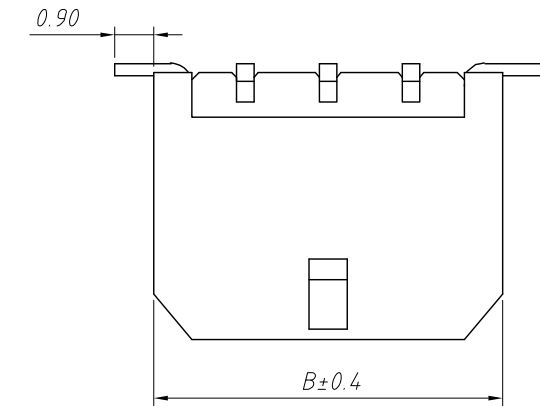


ANGLE TOLERANCE	PROJECTION	Description:	3.0mm Pitch Molex Micro Fit 3.0 43020 43025 43045 43030 43031 43645 43640 Wire To Board Connector
±3°			
GENERAL TOLERANCE	UNITS	mm	KLS P/N: L-KLS1-XM1-3.00-1x02-VT
x.x ±0.30	SHEET SIZE	A4	
x.xx ±0.20	Draw:	Daniel	2021-01-11
x.xxx ±0.10	Check:	Daniel	2021-01-11



NingBo KLS ELECTRONIC CO.,LTD.

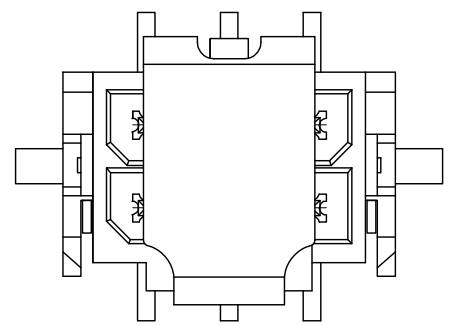
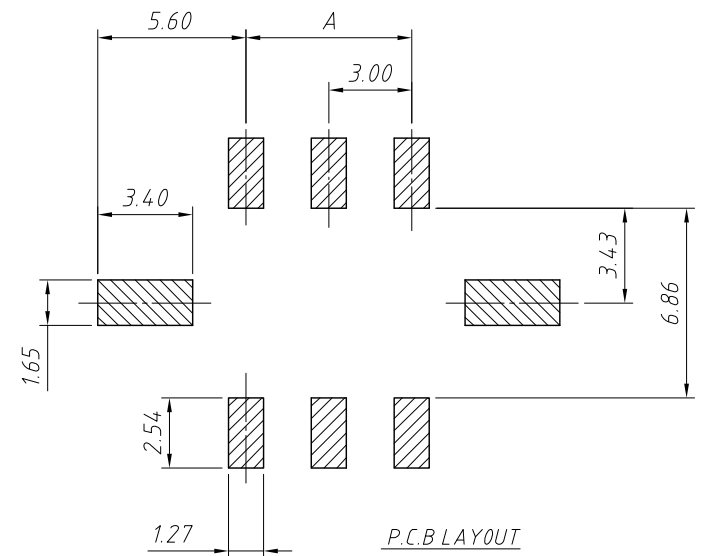
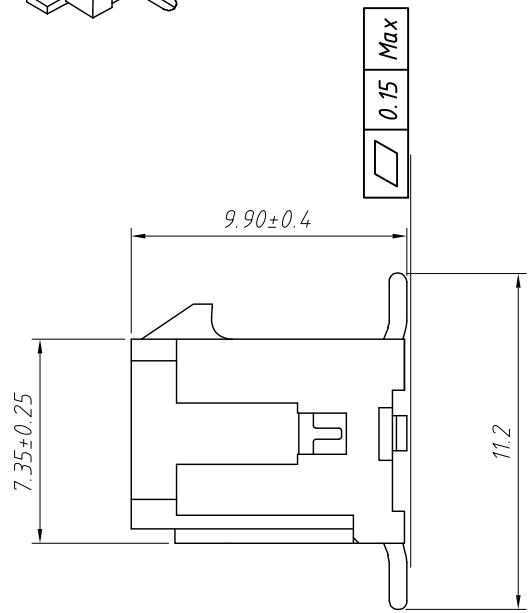
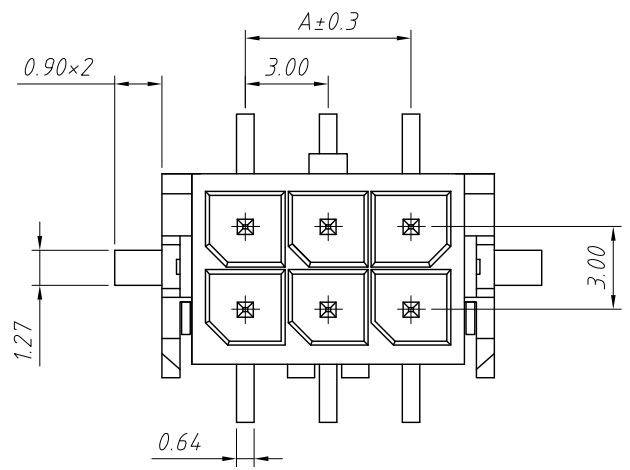
1 RoHS Compliance



Material:
 Insulator:LCP, UL94V-0
 Contact:Brass
 Plating:Tin plated

Electrical Characteristics:
 Rated Current:5.0AMP
 Voltage rating:250V AC,DC
 Temperature range:-25°C ~ + 85°C
 Insulator Resistance:1000MΩ Min
 Withstanding Voltage:1500V AC/minute
 Contact Resistance:10mΩ Max

Pin	Dimensions(mm)	
	A	B
01	---	6.65
02	3.00	9.65
03	6.00	12.65
04	9.00	15.65
05	12.00	18.65
06	15.00	21.65
07	18.00	24.65
08	21.00	27.65
09	24.00	30.65
10	27.00	33.65
11	30.00	36.65
12	33.00	39.65

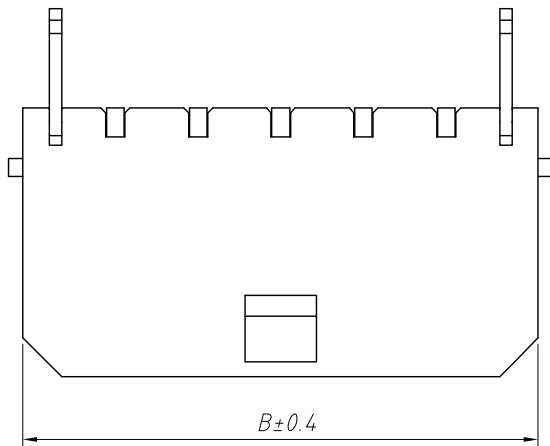


Order Information:
 L-KLS1-XM1-3.00-2x02-VT

L: RoHS
 Pitch:3.00mm
 Pins:
 1-Single layer
 2-Double layer
 XX-No. of 01~12 pins
 Type:
 VT / VMT-Vertical SMT Pin
 RT / RMT-Horizontal SMT Pin

ANGLE TOLERANCE	PROJECTION	Description:	3.0mm Pitch Molex Micro Fit 3.0 43020 43025	
±3°			43045 43030 43031 43645 43640 Wire To Board Connector	
GENERAL TOLERANCE	UNITS	mm	KLS P/N: L-KLS1-XM1-3.00-2x02-VT	
x.x ±0.30	SHEET SIZE	A4	NingBo KLS ELECTRONIC CO.,L TD.	
x.xx ±0.20	Draw:	Daniel		2021-01-11
x.xxx ±0.10	Check:	Daniel		2021-01-11

1 RoHS Compliance



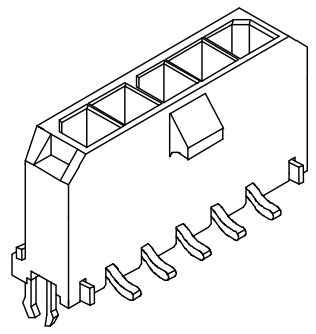
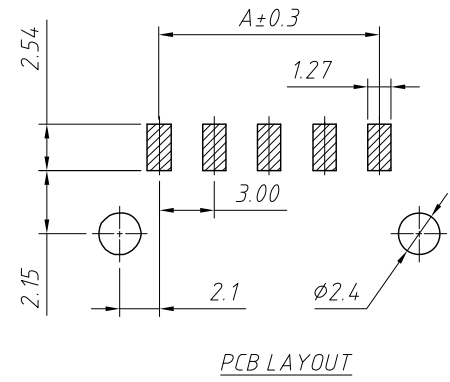
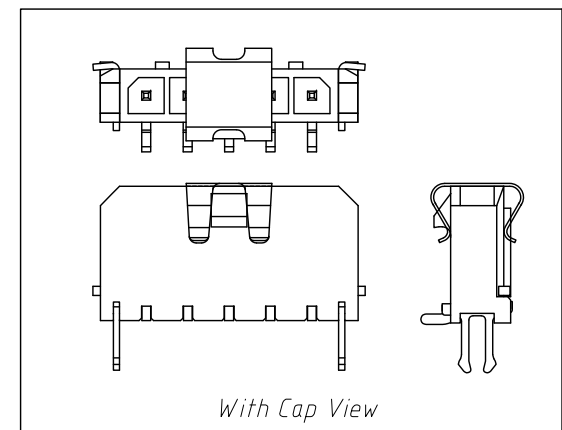
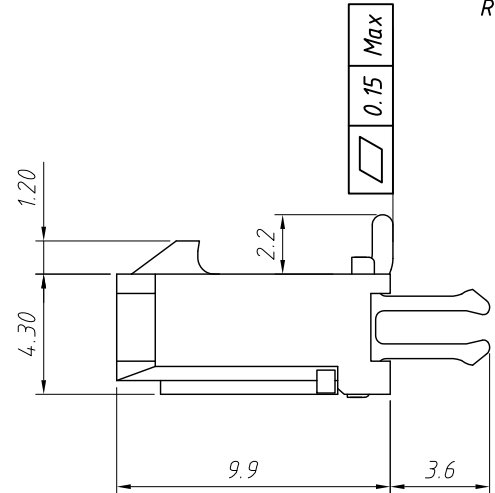
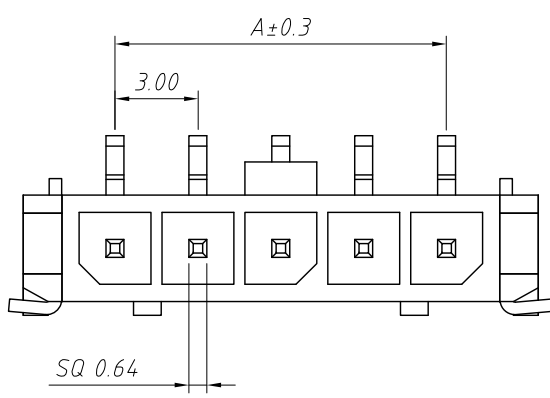
Material:
 Insulator:LCP , UL94V-0
 Contact:Brass
 Plating: Tin plated

Electrical Characteristics:
 Rated Current:5.0AMP
 Voltage rating:250V AC,DC
 Temperature range:-25°C ~ + 85°C
 Insulator Resistance:1000MΩ Min
 Withstanding Voltage:1500V AC/minute
 Contact Resistance:10mΩ Max

Order Information:
 L-KLS1-XM1-3.00-1x02-VMT

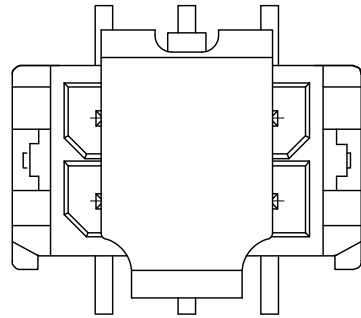
L: RoHS
 Pitch:3.00mm
 Pins: _____
 1-Single layer
 2-Double layer
 XX-No. of 02 ~ 12 pins
 Type: _____
 VT / VMT-Vertical SMT Pin
 RT / RMT-Horizontal SMT Pin

Pin	Dimensions(mm)	
	A	B
02	3.00	9.70
03	6.00	12.70
04	9.00	15.70
05	12.00	18.70
06	15.00	21.70
07	18.00	24.70
08	21.00	27.70
09	24.00	30.70
10	27.00	33.70
11	30.00	36.70
12	33.00	39.70

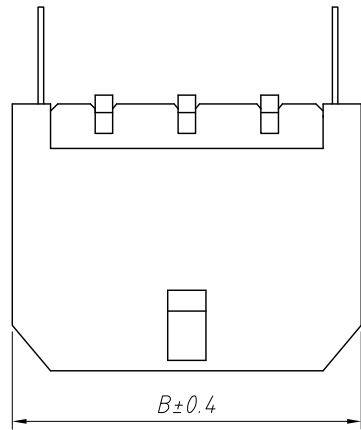


ANGLE TOLERANCE	PROJECTION	Description:	3.0mm Pitch Molex Micro Fit 3.0 43020 43025 43045 43030 43031 43645 43640 Wire To Board Connector	
±3°				
GENERAL TOLERANCE	UNITS	mm	KLS P/N: L-KLS1-XM1-3.00-1x02-VMT	
x.x ±0.30	SHEET SIZE	A4	NingBo KLS ELECTRONIC CO.,L TD.	
x.xx ±0.20	Draw:	Daniel		2021-01-11
x.xxx ±0.10	Check:	Daniel		2021-01-11

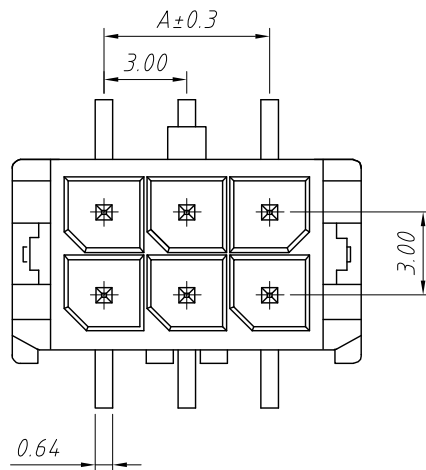
1 RoHS Compliance



WITH COVER



$B \pm 0.4$

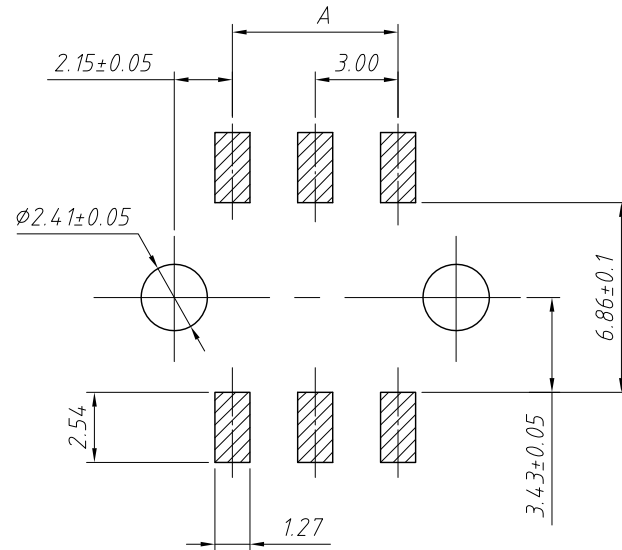


$A \pm 0.3$

3.00

3.00

0.64



P.C.B LAYOUT

Material:

Insulator: LCP, UL 94V-0

Contact: Brass

Plating: Tin plated

Electrical Characteristics:

Rated Current: 5.0AMP

Voltage rating: 250V AC, DC

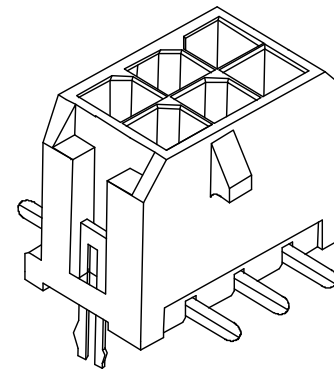
Temperature range: $-25^{\circ}\text{C} \sim +85^{\circ}\text{C}$

Insulator Resistance: 1000M Ω Min

Withstanding Voltage: 1500V AC/minute

Contact Resistance: 20m Ω Max

Pin	Dimensions(mm)	
	A	B
01	---	6.65
02	3.00	9.65
03	6.00	12.65
04	9.00	15.65
05	12.00	18.65
06	15.00	21.65
07	18.00	24.65
08	21.00	27.65
09	24.00	30.65
10	27.00	33.65
11	30.00	36.65
12	33.00	39.65



Order Information:

L-KLS1-XM1-3.00-2x02-VMT

L: RoHS

Pitch: 3.00mm

Pins:

1-Single layer

2-Double layer

XX-No. of 01~12 pins

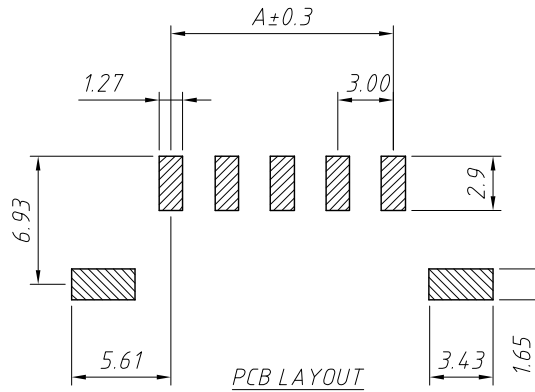
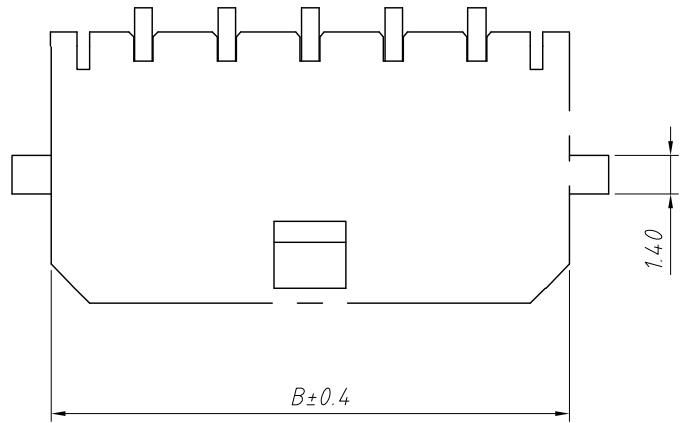
Type:

VT / VMT-Vertical SMT Pin

RT / RMT-Horizontal SMT Pin

ANGLE TOLERANCE	PROJECTION	Description:	3.0mm Pitch Molex Micro Fit 3.0 43020 43025	
$\pm 3^{\circ}$			43045 43030 43031 43645 43640 Wire To Board Connector	
GENERAL TOLERANCE	UNITS	mm	KLS P/N: L-KLS1-XM1-3.00-2x02-VMT	
x.x ± 0.30	SHEET SIZE	A4	NingBo KLS ELECTRONIC CO.,LTD.	
x.xx ± 0.20	Draw:	Daniel		2021-01-11
x.xxx ± 0.10	Check:	Daniel		2021-01-11

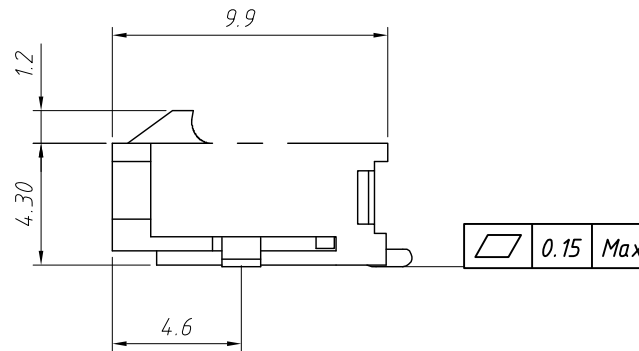
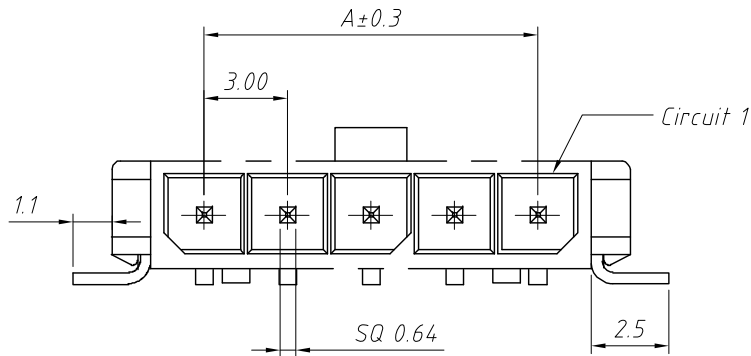
1 RoHS Compliance



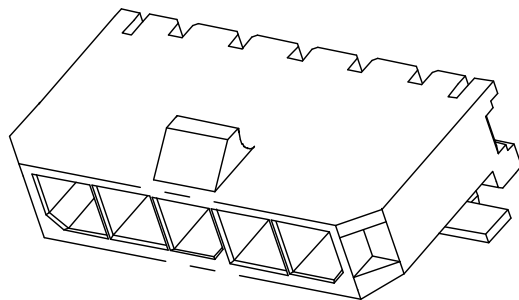
Material:
 Insulator:LCP , UL94 V-0
 Contact:Brass
 Plating:Tin plated

Electrical Characteristics:
 Rated Current:5.0AMP
 Voltage rating:250V AC,DC
 Temperature range:-25°C ~ + 85°C
 Insulator Resistance:1000MΩ Min
 Withstanding Voltage:1500V AC/minute
 Contact Resistance:10mΩ Max

Pin	Dimensions(mm)	
	A	B
02	3.00	9.70
03	6.00	12.70
04	9.00	15.70
05	12.00	18.70
06	15.00	21.70
07	18.00	24.70
08	21.00	27.70
09	24.00	30.70
10	27.00	33.70
11	30.00	36.70
12	33.00	39.70

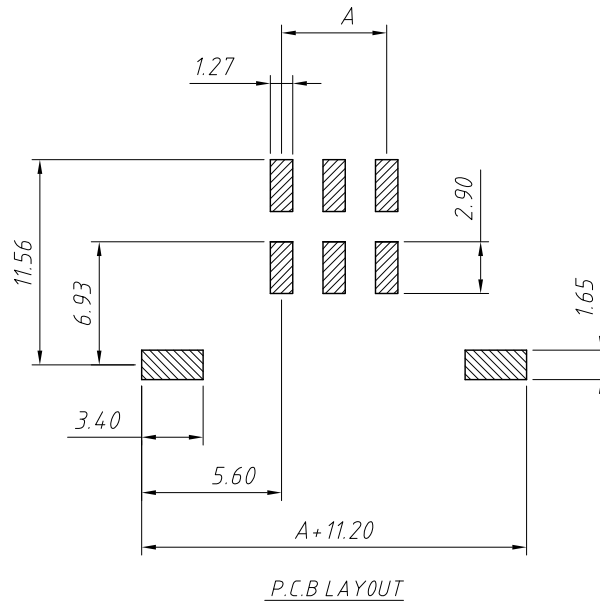
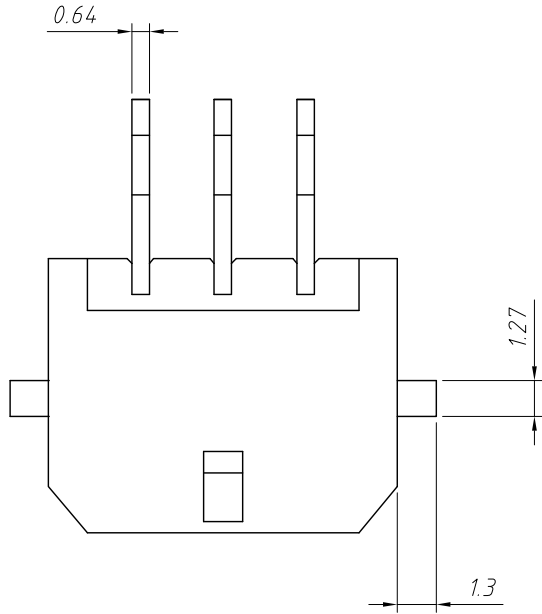


Order Information:
 L-KLS1-XM1-3.00-1x02-RT
 L: RoHS
 Pitch:3.00mm
 Pins: _____
 1-Single layer
 2-Double layer
 XX-No.of 02~12 pins
 Type: _____
 VT / VMT-Vertical SMT Pin
 RT / RMT-Horizontal SMT Pin



ANGLE TOLERANCE	PROJECTION	Description:	3.0mm Pitch Molex Micro Fit 3.0 43020 43025
±3°			43045 43030 43031 43645 43640 Wire To Board Connector
GENERAL TOLERANCE	UNITS	mm	KLS P/N: L-KLS1-XM1-3.00-1x02-RT
x.x ±0.30	SHEET SIZE	A4	NingBo KLS ELECTRONIC CO.,L TD.
x.xx ±0.20	Draw:	Daniel 2021-01-11	
x.xxx ±0.10	Check:	Daniel 2021-01-11	

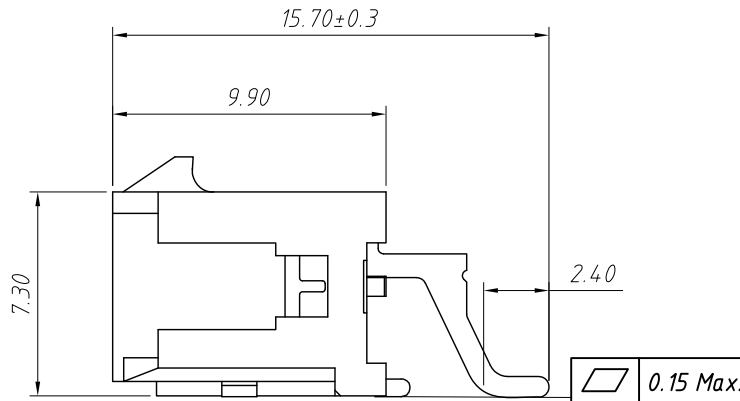
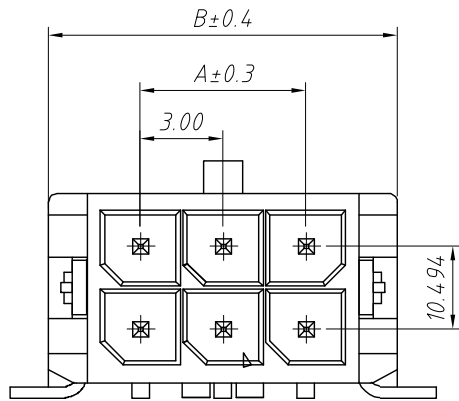
1 RoHS Compliance



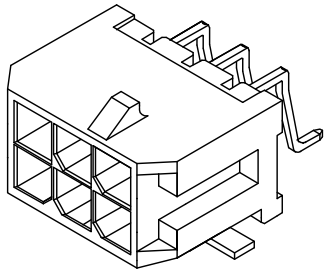
Material:
 Insulator:LCP , UL94V-0
 Contact:Brass
 Plating:Tin plated

Electrical Characteristics:
 Rated Current:5.0AMP
 Voltage rating:250V AC,DC
 Temperature range:-25°C ~ + 85°C
 Insulator Resistance:1000MΩ Min
 Withstanding Voltage:1500V AC/minute
 Contact Resistance:10mΩ Max

Pin	Dimensions(mm)	
	A	B
01	---	6.65
02	3.00	9.65
03	6.00	12.65
04	9.00	15.65
05	12.00	18.65
06	15.00	21.65
07	18.00	24.65
08	21.00	27.65
09	24.00	30.65
10	27.00	33.65
11	30.00	36.65
12	33.00	39.65

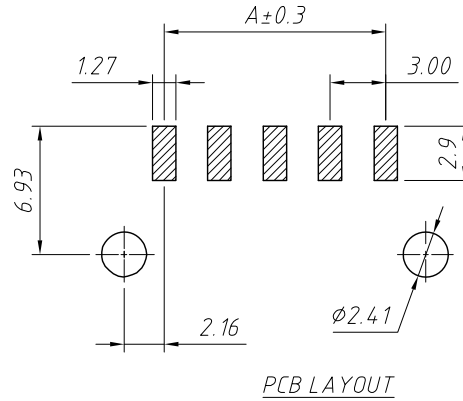
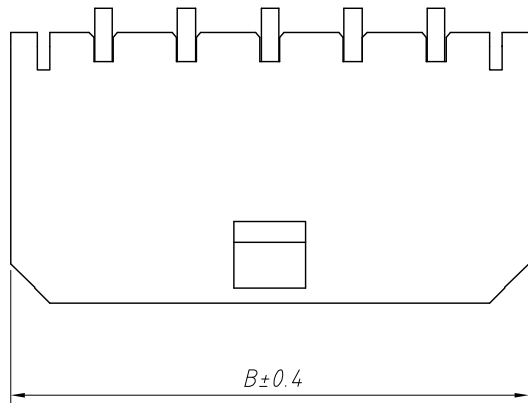


Order Information:
 L-KLS1-XM1-3.00-2×02-RT
 L: RoHS
 Pitch:3.00mm
 Pins: _____
 1-Single layer
 2-Double layer
 XX-No.of 01~12 pins _____
 Type: _____
 VT / VMT-Vertical SMT Pin
 RT / RMT-Horizontal SMT Pin



ANGLE TOLERANCE	PROJECTION	Description:	3.0mm Pitch Molex Micro Fit 3.0 43020 43025	
±3°			43045 43030 43031 43645 43640 Wire To Board Connector	
GENERAL TOLERANCE	UNITS	mm	KLS P/N: L-KLS1-XM1-3.00-2×02-RT	
x.x ±0.30	SHEET SIZE	A4	NingBo KLS ELECTRONIC CO.,L TD.	
x.xx ±0.20	Draw:	Daniel		2021-01-11
x.xxx ±0.10	Check:	Daniel		2021-01-11

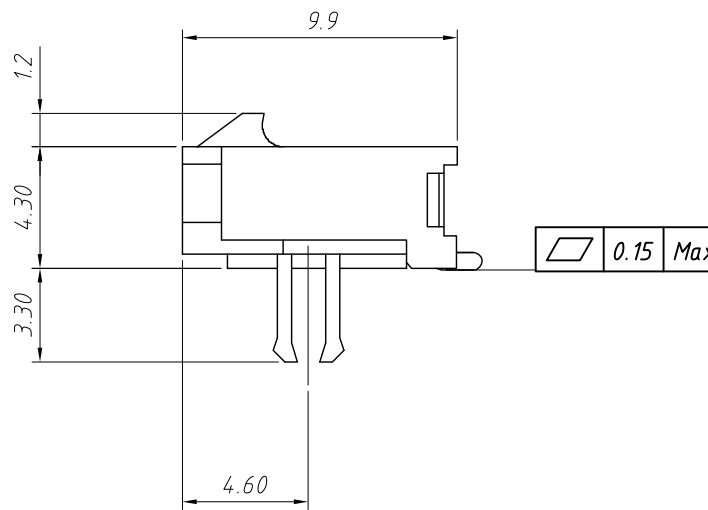
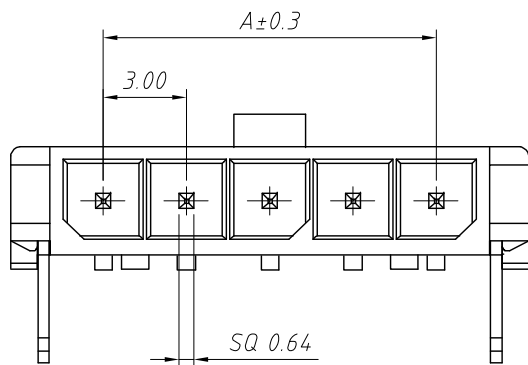
1 RoHS Compliance



Material:
 Insulator:LCP , UL94 V-0
 Contact:Brass
 Plating: Tin plated

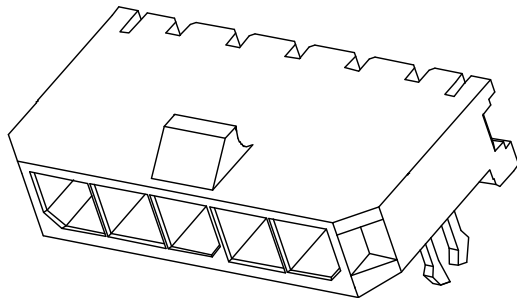
Electrical Characteristics:
 Rated Current:5.0AMP
 Voltage rating:250V AC,DC
 Temperature range:-25°C ~ + 85°C
 Insulator Resistance:1000MΩ Min
 Withstanding Voltage:1500V AC/minute
 Contact Resistance:10mΩ Max

Pin	Dimensions(mm)	
	A	B
02	3.00	9.70
03	6.00	12.70
04	9.00	15.70
05	12.00	18.70
06	15.00	21.70
07	18.00	24.70
08	21.00	27.70
09	24.00	30.70
10	27.00	33.70
11	30.00	36.70
12	33.00	39.70



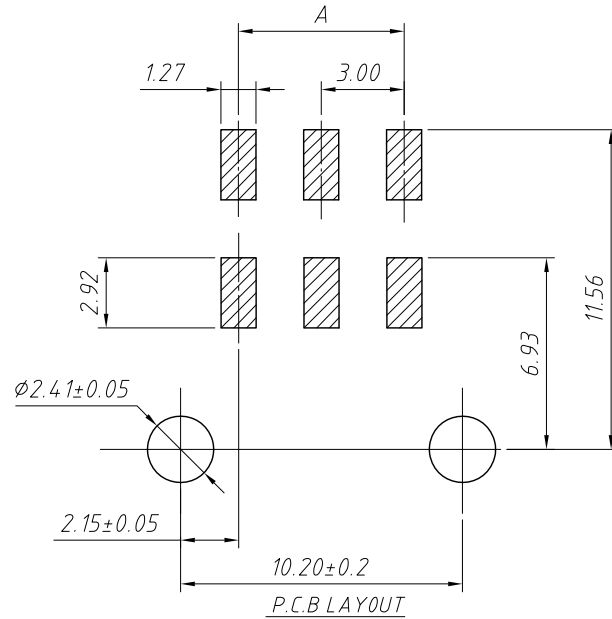
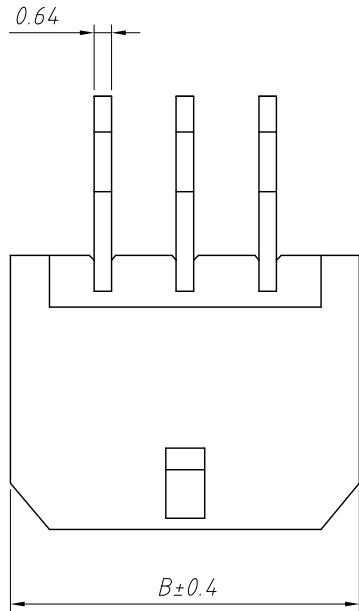
Order Information:
 L-KLS1-XM1-3.00-1x02-RMT

L: RoHS
 Pitch:3.00mm
 Pins: _____
 1-Single layer
 2-Double layer
 XX-No.of 02 ~ 12 pins
 Type: _____
 VT / VMT-Vertical SMT Pin
 RT / RMT-Horizontal SMT Pin



ANGLE TOLERANCE	PROJECTION	Description:	3.0mm Pitch Molex Micro Fit 3.0 43020 43025	
±3°			43045 43030 43031 43645 43640 Wire To Board Connector	
GENERAL TOLERANCE	UNITS	mm	KLS P/N: L-KLS1-XM1-3.00-1x02-RMT	
x.x ±0.30	SHEET SIZE	A4	NingBo KLS ELECTRONIC CO.,L TD.	
x.xx ±0.20	Draw:	Daniel		2021-01-11
x.xxx ±0.10	Check:	Daniel		2021-01-11

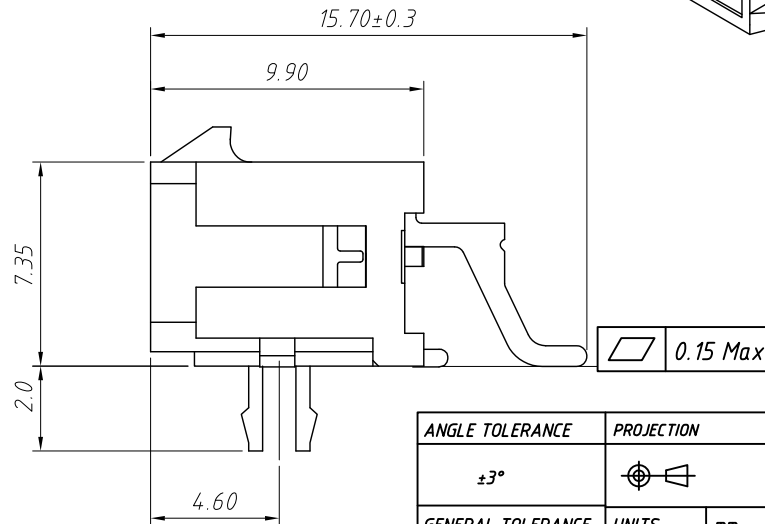
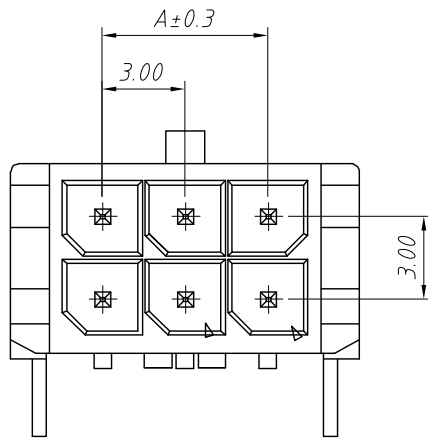
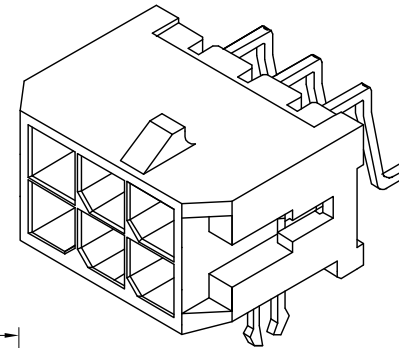
RoHS Compliance



Material:
Insulator:LCP , UL94V-0
Contact:Brass,Tin plated

Electrical Characteristics:
Rated Current:5.0AMP
Voltage rating:250V AC,DC
Temperature range:-25°C ~ + 85°C
Insulator Resistance:1000M Ω Min
Withstanding Voltage:1500V AC/minute
Contact Resistance:10m Ω Max

Pin	Dimensions (mm)	
	A	B
01	---	6.65
02	3.00	9.65
03	6.00	12.65
04	9.00	15.65
05	12.00	18.65
06	15.00	21.65
07	18.00	24.65
08	21.00	27.65
09	24.00	30.65
10	27.00	33.65
11	30.00	36.65
12	33.00	39.65



0.15 Max.

Order Information:
L-KLS1-XM1-3.00-2x02-RMT

L: RoHS
Pitch:3.00mm
Pins: _____
1-Single layer
2-Double layer
XX-No. of 01~12 pins
Type: _____
VT / VMT-Vertical SMT Pin
RT / RMT-Horizontal SMT Pin

ANGLE TOLERANCE	PROJECTION	Description:	3.0mm Pitch Molex Micro Fit 3.0 43020 43025
±3°			43045 43030 43031 43645 43640 Wire To Board Connector
GENERAL TOLERANCE	UNITS	mm	KLS P/N:
x.x ±0.30	SHEET SIZE	A4	L-KLS1-XM1-3.00-2x02-RMT
x.xx ±0.20	Draw:	Daniel	2021-01-11
x.xxx ±0.10	Check:	Daniel	2021-01-11



NingBo KLS ELECTRONIC CO.,L TD.