

Circuit	Dimensions(mm)	
	A	B
02	1.0	3.0
03	2.0	4.0
04	3.0	5.0
05	4.0	6.0
06	5.0	7.0
07	6.0	8.0
08	7.0	9.0
09	8.0	10.0
10	9.0	11.0
11	10.0	12.0
12	11.0	13.0
13	12.0	14.0
14	13.0	15.0
--	----	----
20	19.0	21.0

Material:

Housing:PBT(UL 94V-0/V-2),White

Electrical Characteristics:

1.Poles: 2 to 30P

2.Current rating: 1.0A

3.Voltage rating: 50V

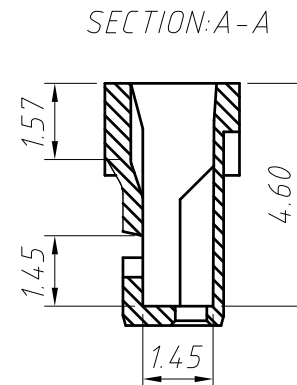
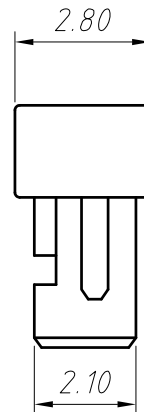
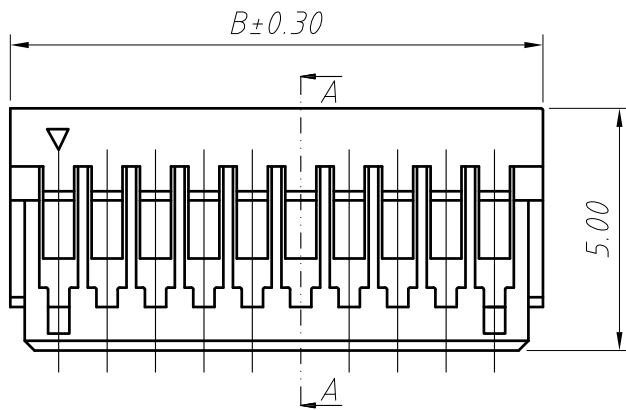
4.Temperature range: -25°C to +85°C

5.Contact resistance: $\leq 20m\Omega$

6.Insulation resistance: $\geq 100M\Omega$

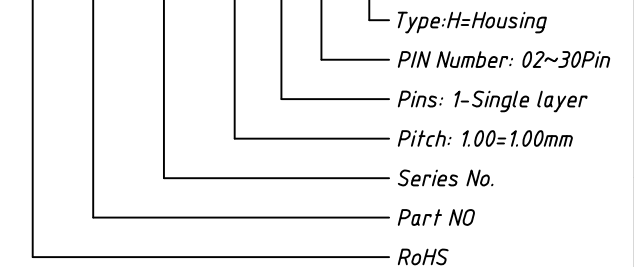
7.Withstand voltage: 500V AC/minute

8.Applicable wire: AWG #32 to #28

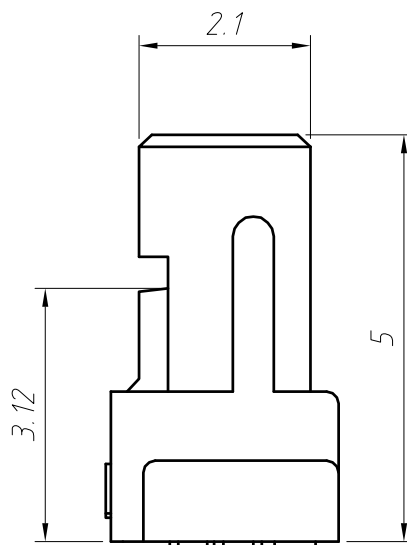
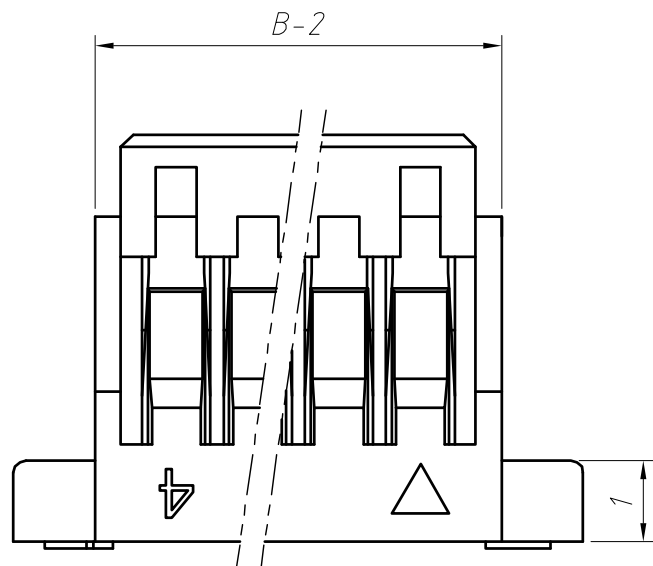


Order Information

L-KLS1-XF1-1.00-1-XX-H



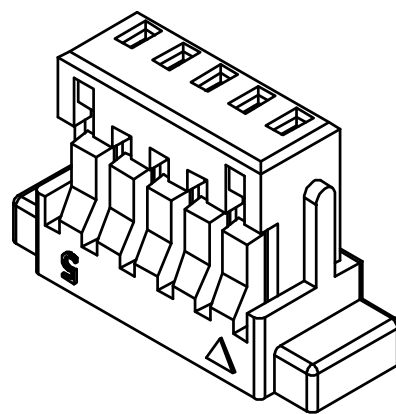
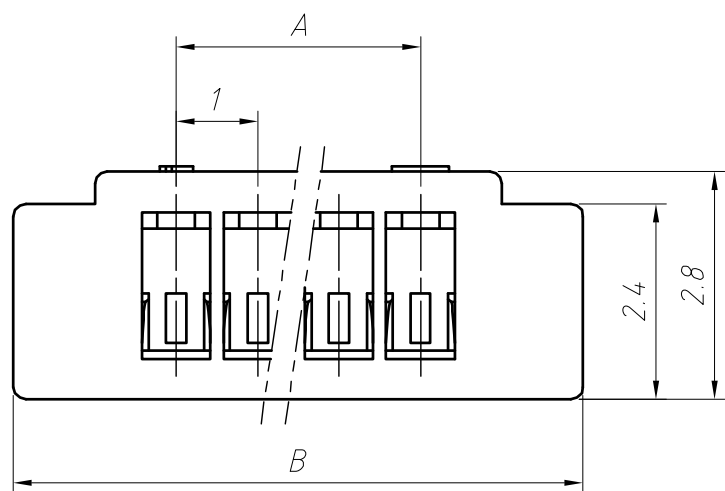
GENERAL TOLERANCE	PROJECTION		Description:
X. ± 0.50	UNITS	mm	1.00mm ZH Type Wire To Board Connector
.X ± 0.25	SCALE	1:1	
.XX ± 0.10	Draw by:	Jenny	
ANGLE TOLERANCE	Check by:		KLS P/N: L-KLS1-XF1-1.00-1-XX-H2
X. $\pm 5^\circ$	Date	2018-03-01	NingBo KLS ELECTRONIC CO.,L TD.
.X $\pm 3^\circ$	SHEET	1 OF 1	
.XX $\pm 2^\circ$			



Circuit	Dimensions(mm)	
	A	B
02	1.0	5.0
03	2.0	6.0
04	3.0	7.0
05	4.0	8.0
06	5.0	9.0
07	6.0	10.0
08	7.0	11.0
09	8.0	12.0
10	9.0	13.0
11	10.0	14.0
12	11.0	15.0
13	12.0	16.0
14	13.0	17.0
--	----	----
30	29.0	33.0

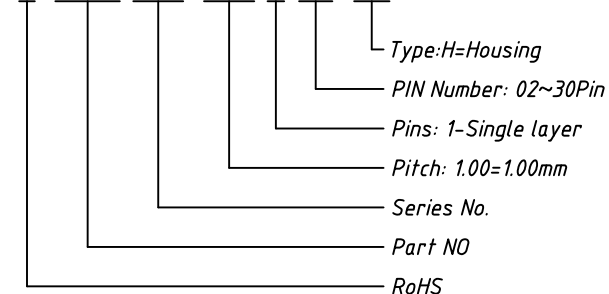
Material:
Housing:PBT(UL 94 V-0/V-2),White

- Electrical Characteristics:**
- 1.Poles: 2 to 30P
 - 2.Current rating: 1.0A
 - 3.Voltage rating: 50V
 - 4.Temperature range: -25°C to +85°C
 - 5.Contact resistance: $\leq 20m\Omega$
 - 6.Insulation resistance: $\geq 100M\Omega$
 - 7.Withstand voltage: 500V AC/minute
 - 8.Applicable wire: AWG #32 to #28

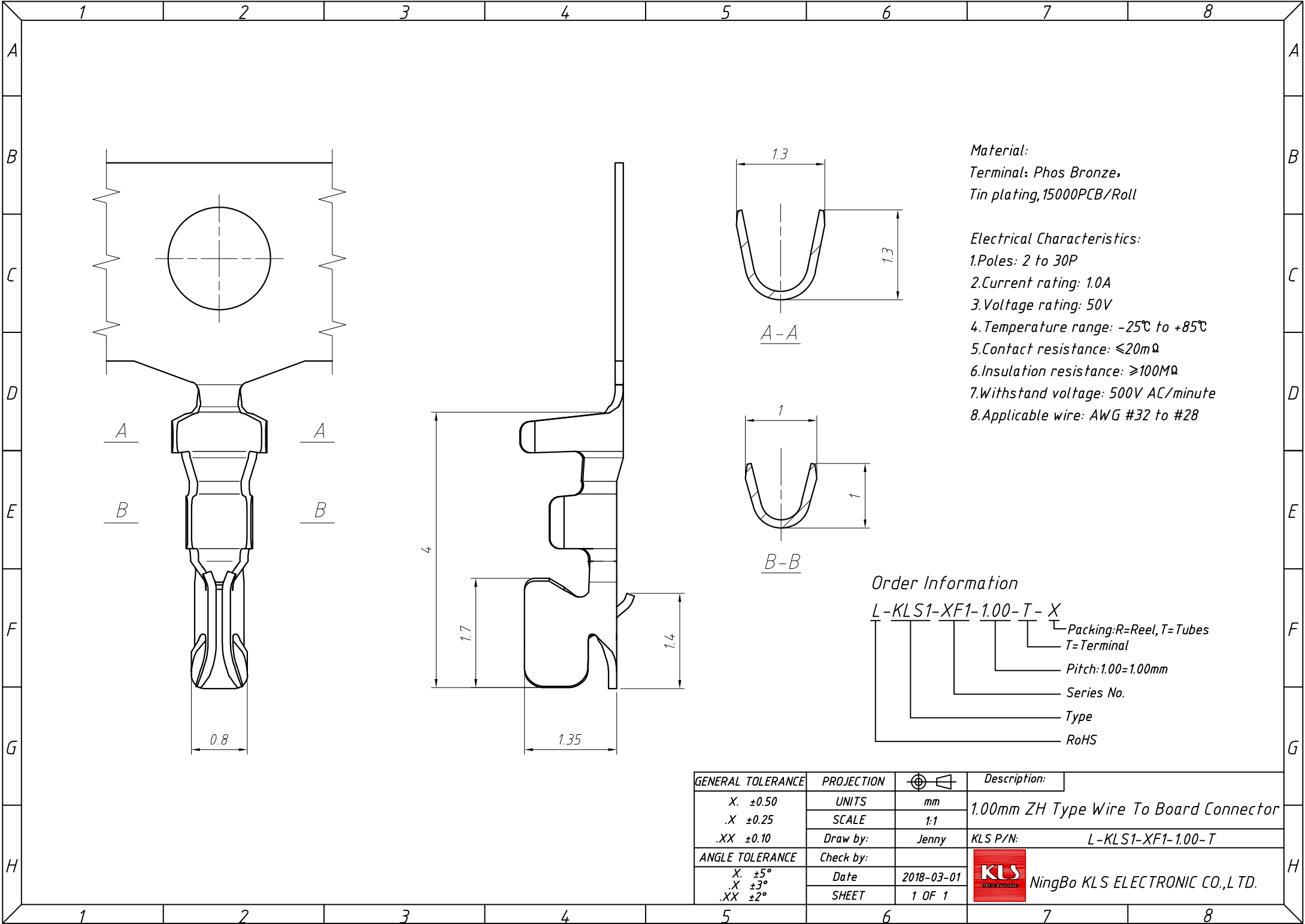


Order Information

L-KLS1-XF1-1.00-1-XX-H2



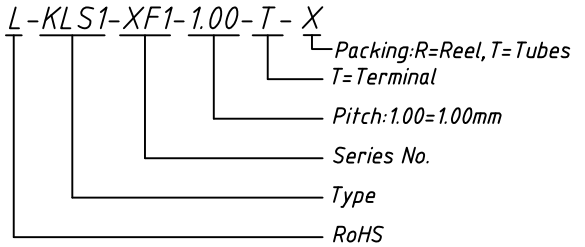
GENERAL TOLERANCE	PROJECTION		Description:
X. ± 0.50	UNITS	mm	1.00mm ZH Type Wire To Board Connector
.X ± 0.25	SCALE	1:1	
.XX ± 0.10	Draw by:	Jenny	
ANGLE TOLERANCE	Check by:		KLS P/N: L-KLS1-XF1-1.00-1-XX-H2
X. $\pm 5^\circ$	Date	2018-03-01	NingBo KLS ELECTRONIC CO.,L TD.
.X $\pm 3^\circ$	SHEET	1 OF 1	
.XX $\pm 2^\circ$			



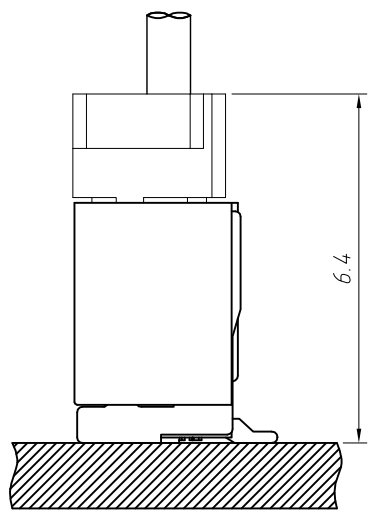
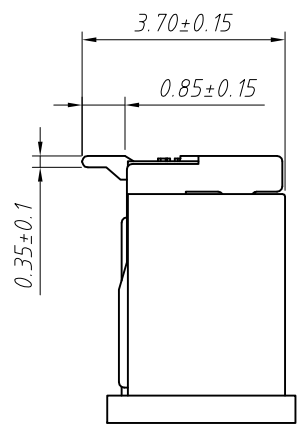
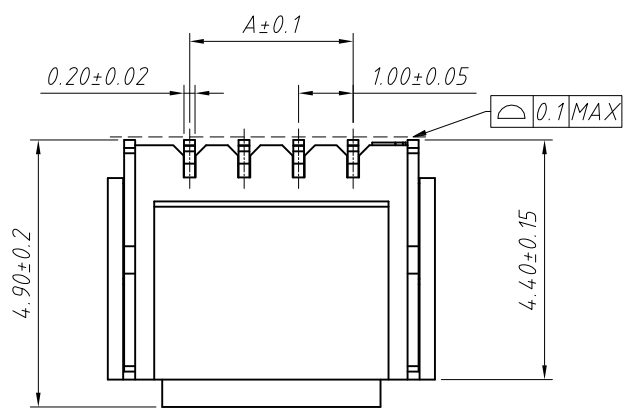
Material:
Terminal: Phos Bronze,
Tin plating, 15000PCB/Roll

- Electrical Characteristics:**
- 1.Poles: 2 to 30P
 - 2.Current rating: 1.0A
 - 3.Voltage rating: 50V
 - 4.Temperature range: -25°C to +85°C
 - 5.Contact resistance: $\leq 20m\Omega$
 - 6.Insulation resistance: $\geq 100M\Omega$
 - 7.Withstand voltage: 500V AC/minute
 - 8.Applicable wire: AWG #32 to #28

Order Information



GENERAL TOLERANCE	PROJECTION		Description:
X. ± 0.50	UNITS	mm	1.00mm ZH Type Wire To Board Connector
.X ± 0.25	SCALE	1:1	
.XX ± 0.10	Draw by:	Jenny	
ANGLE TOLERANCE	Check by:		KLS P/N: L-KLS1-XF1-1.00-T
X. $\pm 5^\circ$	Date	2018-03-01	NingBo KLS ELECTRONIC CO.,L TD.
.X $\pm 3^\circ$	SHEET	1 OF 1	
.XX $\pm 2^\circ$			

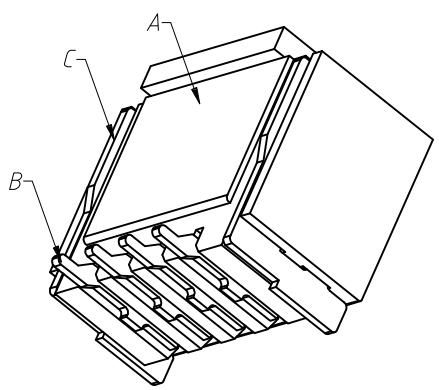
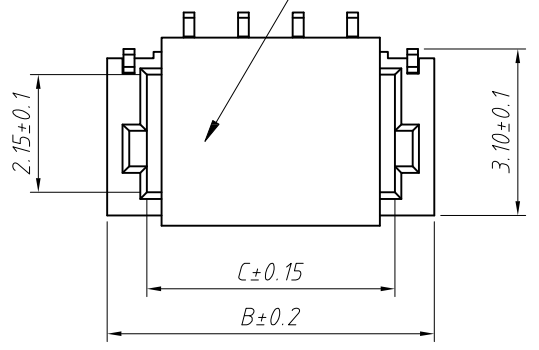


Assembly Layout

Material:
 Insulator: LCP UL 94 V-0, Beige
 Contacts: Phosphor Bronze, Tin Plated
 Solder Tab: Phosphor Bronze, Tin Plated

Electrical Specification:
 Poles: 02 to 20
 Contact resistance: $\leq 20m\Omega$
 Insulation resistance: $\geq 100M\Omega$
 Rated voltage: 50V AC DC
 Rated current: 0.5A AC DC
 Withstand Voltage: 500V AC/minute
 Temperature Range: $-25^{\circ}C \sim +105^{\circ}C$

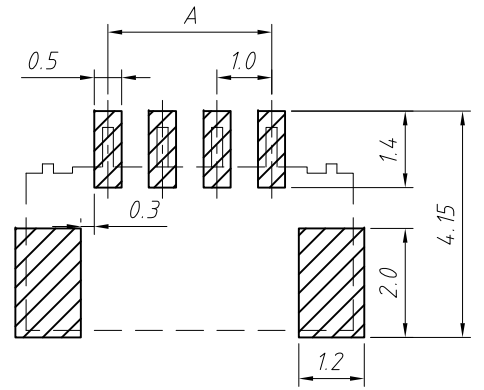
Suction cup installed in product center



Order Information

L-KLS1-XF1-1.00-1-XX-VM-X

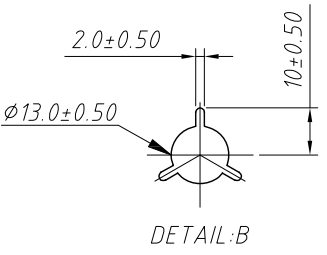
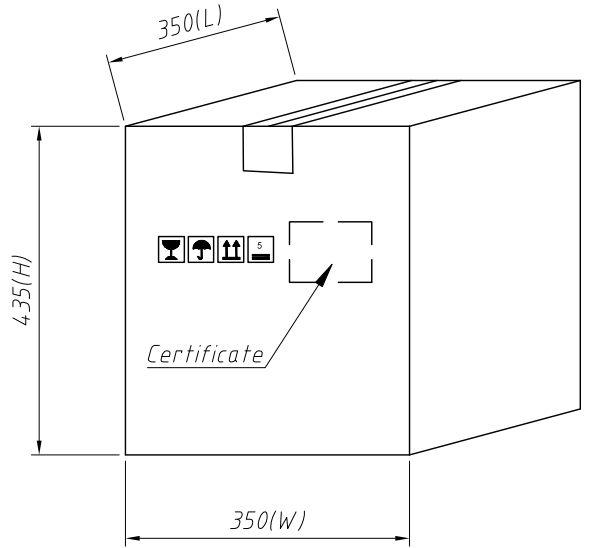
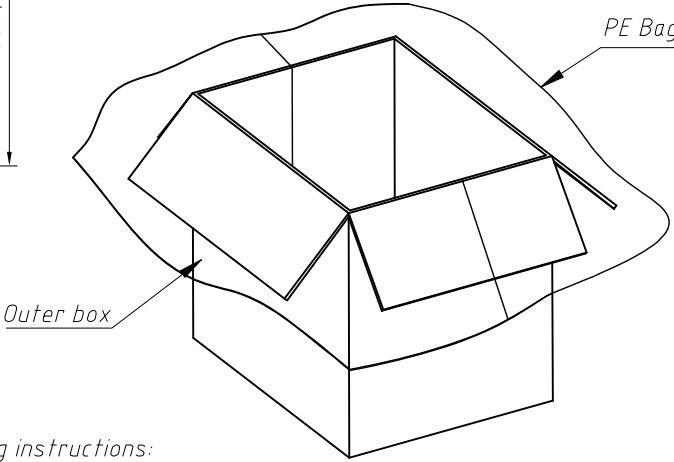
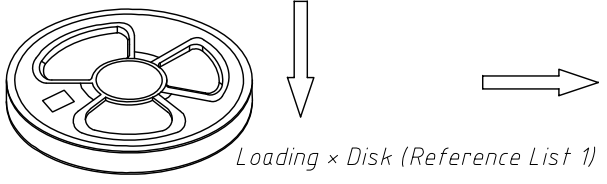
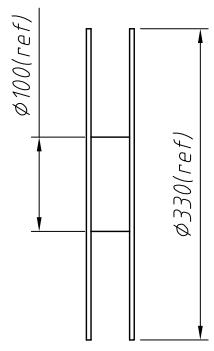
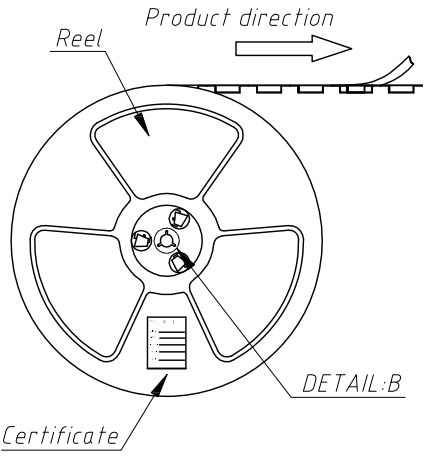
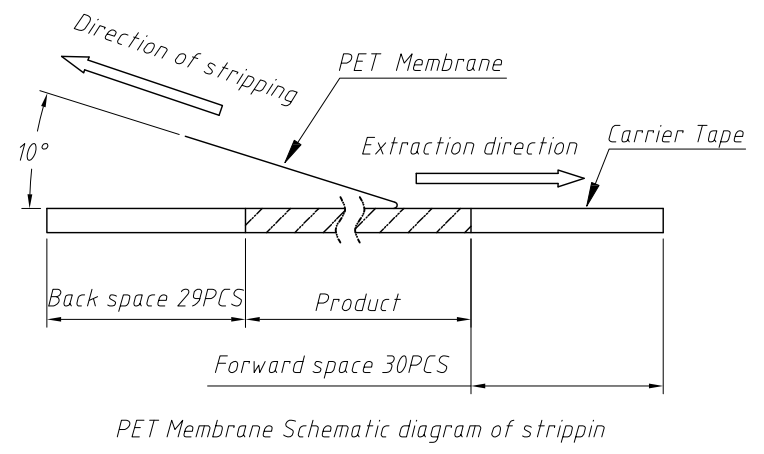
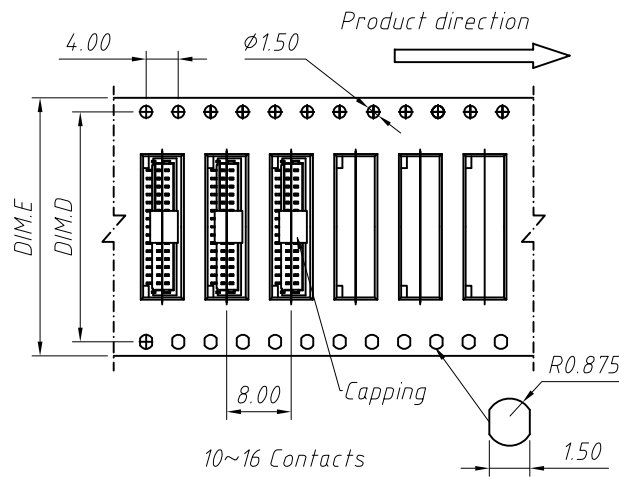
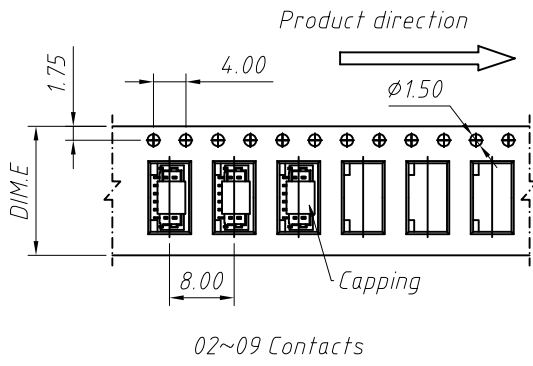
- RoHS
- Pitch: 1.00mm
- Pins: 1=Single layer
- Pin NO: 06~25
- SMT Straight Male pin
- Packing: R=Reel, T=Tubes



SUGGESTED PCB LAYOUT

Circuit	Dimensions(mm)			Circuit	Dimensions(mm)		
	A	B	C		A	B	C
02	1.00	4.00	2.50	10	9.00	12.00	10.50
03	2.00	5.00	3.50	11	10.00	13.00	11.50
04	3.00	6.00	4.50	12	11.00	14.00	12.50
05	4.00	7.00	5.50	13	12.00	15.00	13.50
06	5.00	8.00	6.50	14	13.00	16.00	14.50
07	6.00	9.00	7.50	15	14.00	17.00	15.50
08	7.00	10.00	8.50	16	15.00	18.00	16.50
09	8.00	11.00	9.50	20	19.00	22.00	20.50

GENERAL TOLERANCE	PROJECTION		Description:
X. ± 0.30	UNITS	mm	Pitch 1.00mm Vertical SMT Wafer
.X ± 0.20	SCALE	1:1	
.XX ± 0.10	Draw by:	Jenny	
ANGLE TOLERANCE	Check by:		KLS P/N: L-KLS1-XF1-1.00-1-XX-VM
X. $\pm 5^{\circ}$	Date	2018-03-01	NingBo KLS ELECTRONIC CO.,L TD.
.X $\pm 3^{\circ}$	SHEET	1 OF 1	
.XX $\pm 2^{\circ}$			



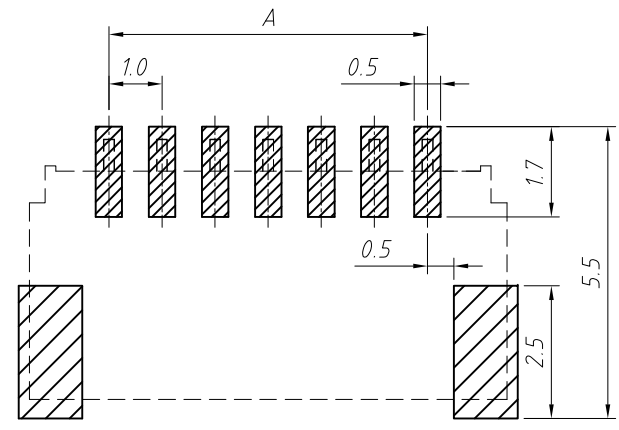
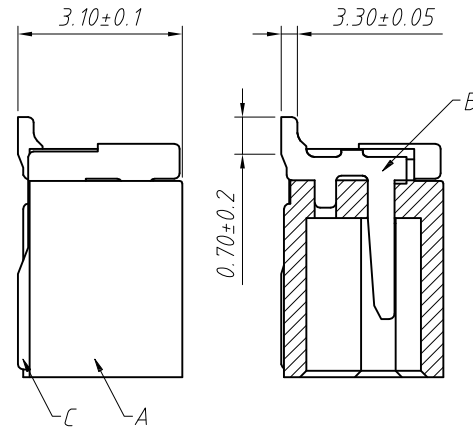
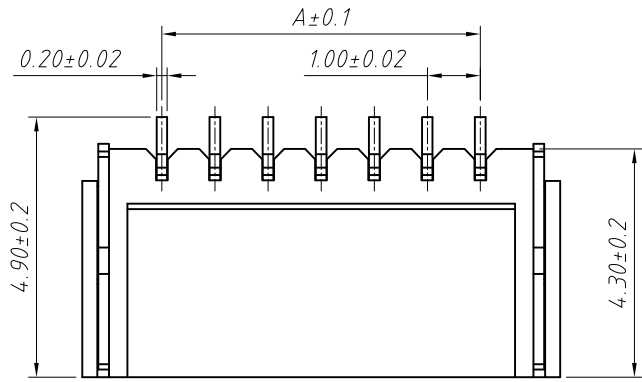
Packaging instructions:
 Pack the finished products into reels, each with 1500 PCS.
 The product will be packed by pasting a certificate on the reel.
 The reel is put into the outer box, and the outer box is fitted with one first.
 Large PE bags with qualified certificates affixed on the outer case.

Circuits	DIM.D	DIM.E	Q'ty/Reel	Packing Reel/Caron
02-05 PIN	--	16	1500 PCS	20/Reel
06-14 PIN	--	24	1500 PCS	15/Reel
15-18 PIN	28.4	32	1500 PCS	11/Reel

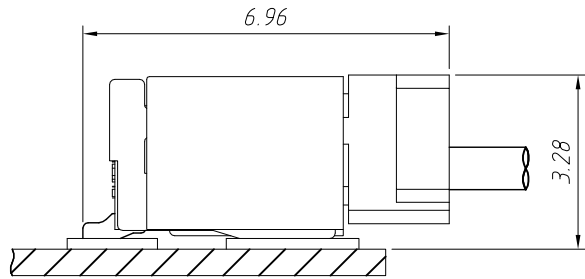
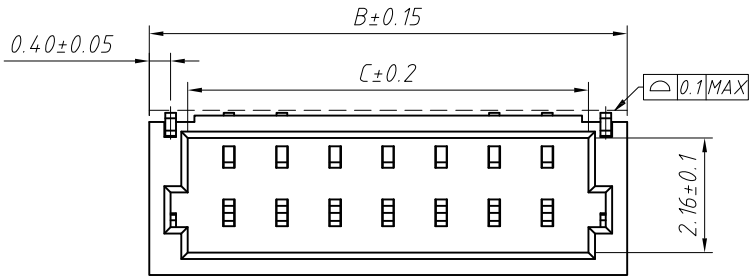
GENERAL TOLERANCE	PROJECTION		Description:
.X ± 0.30	UNITS	mm	Packaging Specification Ptich 1.00mm Vertical SMT
.X ± 0.20	SCALE	1:1	
.XX ± 0.10	Draw by:	Jenny	
ANGLE TOLERANCE	Check by:		KLS P/N: L-KLS1-XF1-1.00-1-XX-VM
.X $\pm 5^\circ$	Date	2018-03-01	NingBo KLS ELECTRONIC CO.,L TD.
.X $\pm 3^\circ$	SHEET	1 OF 1	
.XX $\pm 2^\circ$			

1 2 3 4 5 6 7 8

A B C D E F G H



Recommend PCB Layout



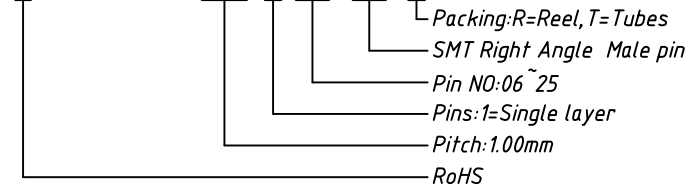
Assembly Layout

Material:
 Insulator: LCP UL 94V-0, Beige
 Contacts: Phosphor Bronze, Tin Plated
 Solder Tab: Phosphor Bronze, Tin Plated

Electrical Specification:
 Poles: 02 to 20
 Contact resistance: $\leq 20m\Omega$
 Insulation resistance: $\geq 100M\Omega$
 Rated voltage: 50V AC DC
 Rated current: 0.5A AC DC
 Withstand Voltage: 500V AC/minute
 Temperature Range: $-25^{\circ}C \sim +105^{\circ}C$

Order Information

L-KLS1-XF1-1.00-1-XX-RM-X

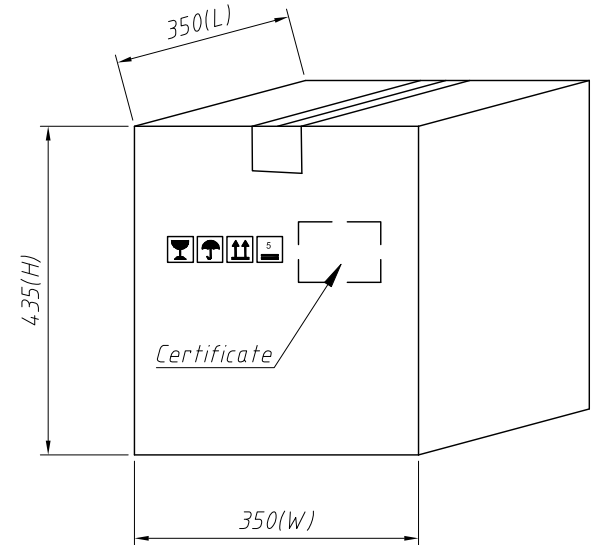
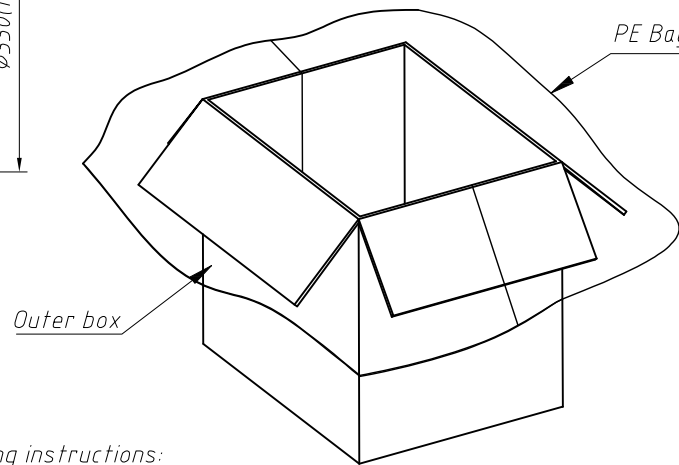
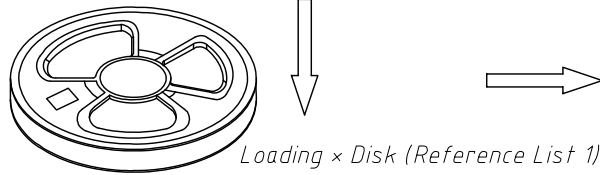
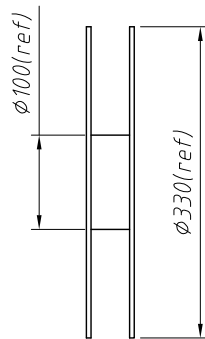
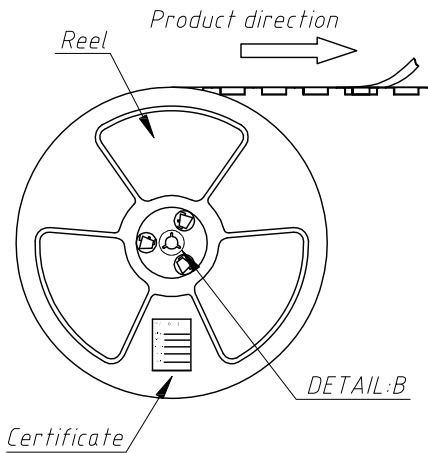
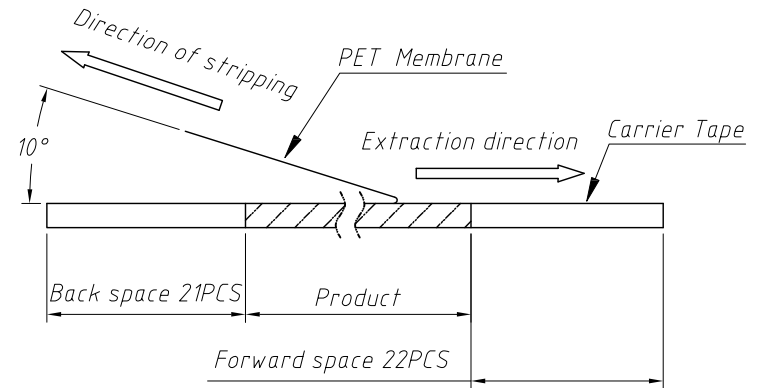
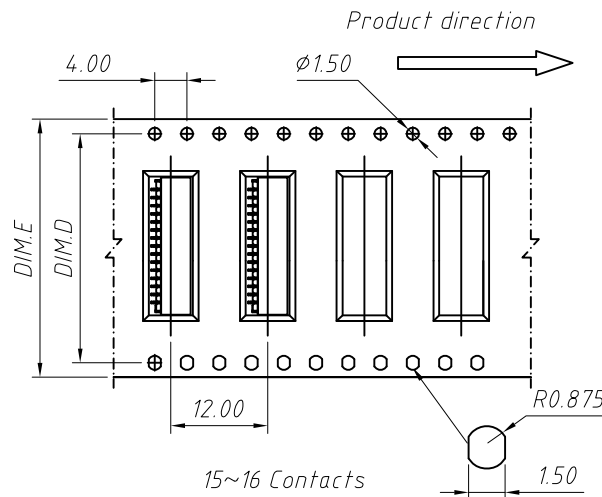
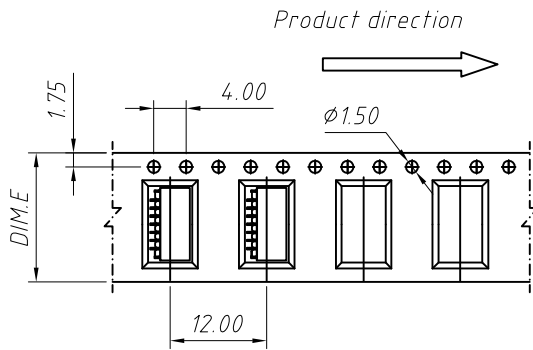


Circuit	Dimensions(mm)			Circuit	Dimensions(mm)		
	A	B	C		A	B	C
02	1.00	4.00	2.50	10	9.00	12.00	10.50
03	2.00	5.00	3.50	11	10.00	13.00	11.50
04	3.00	6.00	4.50	12	11.00	14.00	12.50
05	4.00	7.00	5.50	13	12.00	15.00	13.50
06	5.00	8.00	6.50	14	13.00	16.00	14.50
07	6.00	9.00	7.50	15	14.00	17.00	15.50
08	7.00	10.00	8.50	16	15.00	18.00	16.50
09	8.00	11.00	9.50	20	19.00	22.00	20.50

GENERAL TOLERANCE	PROJECTION		Description:
X. ± 0.30	UNITS	mm	Pitch 1.00mm Horizontal SMT Wafer
.X ± 0.20	SCALE	1:1	
.XX ± 0.10	Draw by:	Jenny	
ANGLE TOLERANCE	Check by:		KLS P/N: L-KLS1-XF1-1.00-1-XX-RM
X. $\pm 5^{\circ}$	Date	2018-03-01	NingBo KLS ELECTRONIC CO.,L TD.
.X $\pm 3^{\circ}$	SHEET	1 OF 1	
.XX $\pm 2^{\circ}$			

1 2 3 4 5 6 7 8

H



Packaging instructions:


Pack the finished products into reels, each with 1500 PCS.

The product will be packed by pasting a certificate on the reel.

The reel is put into the outer box, and the outer box is fitted with one first.

Large PE bags with qualified certificates affixed on the outer case.

Circuits	DIM.D	DIM.E	Q'ty/Reel	Packing Reel/Carton
02 PIN	--	12	2000 PCS	25/Reel
03-06 PIN	--	16	1500 PCS	20/Reel
07-14 PIN	--	24	1500 PCS	15/Reel
15-18 PIN	28.4	32	1500 PCS	11/Reel

GENERAL TOLERANCE	PROJECTION	Symbol	Description:
.X ±0.30	UNITS	mm	Packaging Specification PITCH 1.00mm Horizontal SMT
.X ±0.20	SCALE	1:1	
.XX ±0.10	Draw by:	Jenny	
ANGLE TOLERANCE	Check by:		KLS P/N: L-KLS1-XF1-1.00-1-XX-RM
.X ±5°	Date	2018-03-01	 NingBo KLS ELECTRONIC CO.,L TD.
.X ±3°	SHEET	1 OF 1	
.XX ±2°			