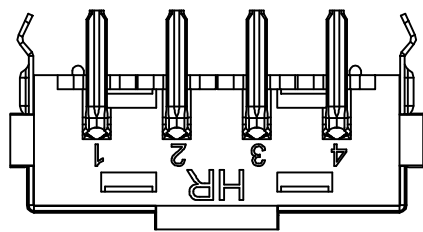
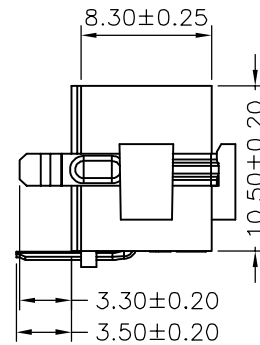
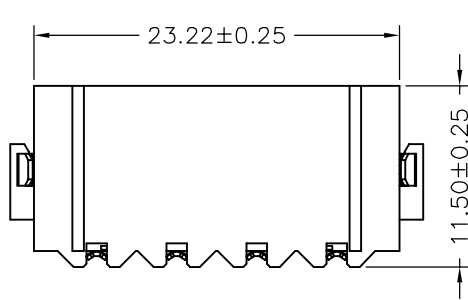
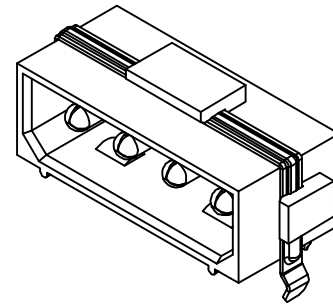


P.C.B. LAYOUT



SPECIFICATIONS

Current Rating: 10A AC,DC
 Voltage Rating: 250V AC,DC
 Temperature Range: $-25^{\circ}\text{C} \sim +85^{\circ}\text{C}$
 Contact Resistance: 10m Ω Max
 Insulation Resistance: 1000M Ω Min
 Withstanding Voltage: 1500V AC/minute
 Pin Material: Brass/Tin-plated
 Metal Band: Brass/Tin-plated
 Material: Nylon 6T,UL94V-0
 Color: Natural(Black)

				JOINT TECH ELECTRONIC IND. CO., LTD. JOY DAY INDUSTRIAL CO., LTD.	
		UNIT	SCALE	SHEET	TITLE:
		mm		1 of 1	
		DRAWN BY	APPROVED BY		P/N: C5080WR-04P 5.08mm PITCH 90° WAFER
		歐陽小強	董正一		
		2007.04.25	2007.04.25		
		GENERAL TOLERANCE			
		X. X±0.25	ANGLE±		DRAW NO.: C5080WR-04P
A0	NEW RELEASE	2007.04.25	X. XX±0.15		
REV.	DESCRIPTION	DATE	X. XXX±0.05		REV. A0