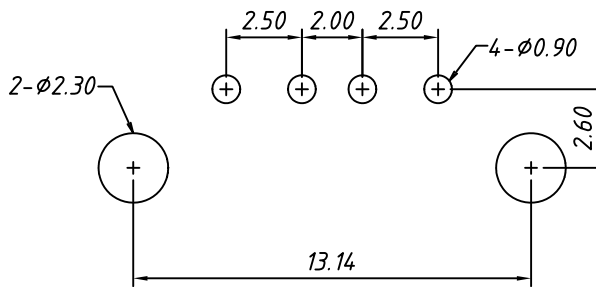
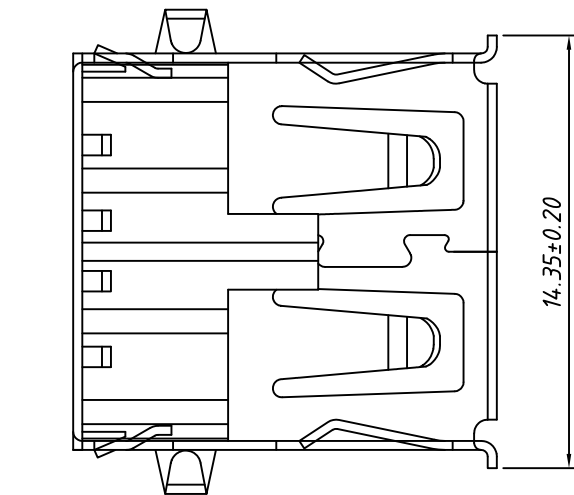


Material
 Housing:Hing Temperature Thermoplastic,
 UL 94 V-0 PBT,Black/White.
 Contact:Copper Alloy C2680.
 Shell:Copper Alloy C2680/SPCC.

Finish:
 Contact:Plated Gold In Mating Area;
 Tin On Solder Tails.
 Shell:Nickel Plating.

Electrical:
 Current Rating:1.5A/Contact Terminal.
 Voltage Rating:30V DC
 Contact Resistance:30mΩ Max.
 Dielectric Withstanding Voltage:
 500 V AC AT Sea Level.
 Insulation Resistance:1000MΩ Min.
 Connector Mate and Unmated Force
 Mate Force:3.75kgf Max.
 Unmated Force:1.02kgf Min.
 Terminal Retention:1.2kgf Min.



RECOMMENDED PCB LAYOUT
 TOLERANCE: ±0.05

Order Information

L-KLS1- 181A - B
 Color:W=White
 B=Black
 CONN USB 2.0
 RoHS

GENERAL TOLERANCE	ANGLE TOLERANCE	PROJECTION	Description:
X. ±0.60	X. ±5°	UNITS	CONN COM TYPE A USB Female R/A, Reverse L-KLS1-181A-X
.X ±0.38	.X ±3°	SHEET SIZE	
.XX ±0.25	.XX ±2°	KLS P/N:	

Draw by: Date	2018-03-01
Check by: Date	2018-03-01
SCALE	SHEET OF

KLS NingBo KLS ELECTRONIC CO.,LTD.