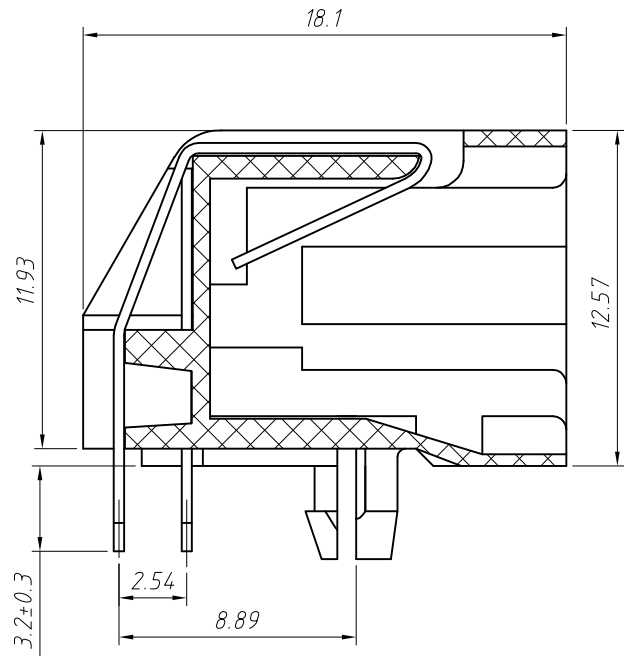
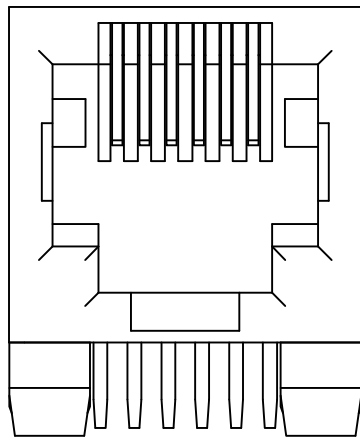
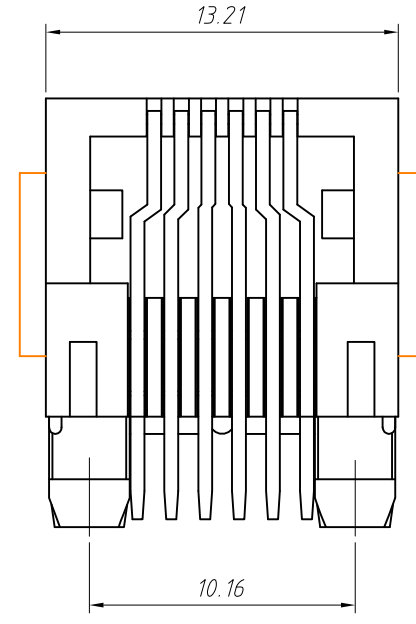


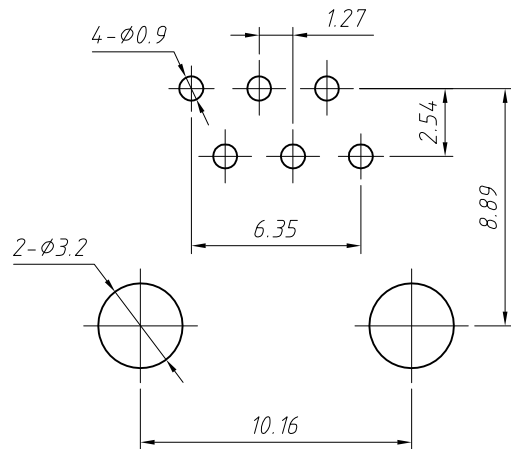
With Panel



SECTION A-A



Without Panel



PCB Layout

Material:
Housing: PBT+Glass Filled Polyester
Flammability Rating : UL94V-0
Contacts: Phosphor Bronze
Plating: Gold Plating

Electrical:
Voltage Rating: 125VAC
Current Rating: 1.5A
Contact Resistance: 30mΩ Max.
Insulation Resistance: 500MΩ Min.
Dielectric Strength: 1000VAC Rms
50Hz, 1 Min.
Durability: 600 cycles Min.
Operation Temperature: -40°C ~ +70°C

Order Information

L-KLS12-147-6P6C - W- 1- XX

RoHS
Contacts: 6P6C
Panel: W-With Panel
W/O-Without Panel
Color Code:
1-Black

Plating Code:
01-Fu" Gold Plating
02-3u" Gold Plating
03-6u" Gold Plating
04-15u" Gold Plating
05-30u" Gold Plating

GENERAL TOLERANCE	PROJECTION		Description:
.X ±0.30	UNITS	mm	RJ12-6P6C Modular jacks
.X ±0.25	SCALE	1:1	
.XX ±0.20	Draw by:	Jenny	
ANGLE TOLERANCE	Check by:	Daniel	KLS P/N: L-KLS12-147-6P6C-X-X-XX
.X ±3°	Date	2018-03-01	NingBo KLS ELECTRONIC CO.,LTD.
.X ±2°	SHEET	1 OF 1	
.XX ±1°			