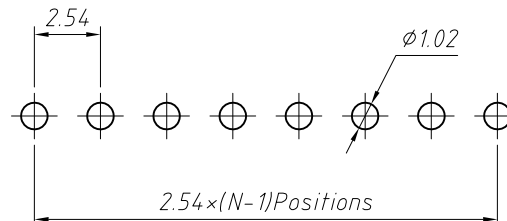
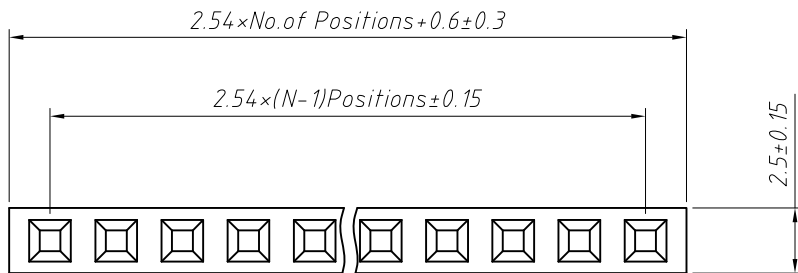


1 RoHS Compliance

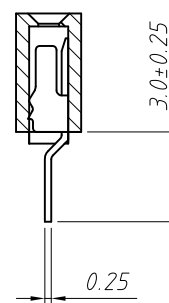
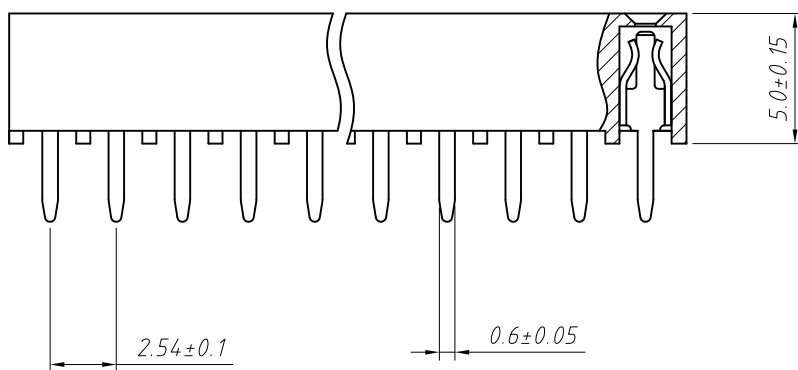


Recommended P.C.B Layout (Top Side)
(PCB BOARD TOLERANCE ± 0.05)

Material:
Standard: PBT/PA6T
Contact: Brass
Contact plating: Au or Sn Over Ni
Insulator: Polyester, UL 94V-0

Electrical Characteristics:
Rated Current: 3.0AMP
Contact Resistance: 20mΩ Max
Withstand Voltage: 1000V AC/DC
Insulator Resistance: 1000MΩ Min

Mechanical:
Operating Temperature: -40°C ~ +105°C
Max. Processing Temp: 230°C for 30-60 seconds
(260°C for 10 seconds)



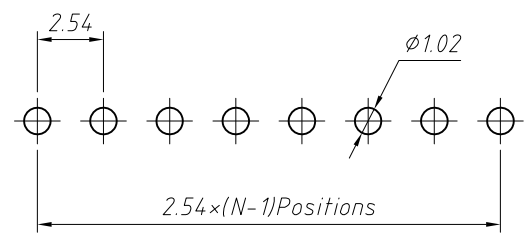
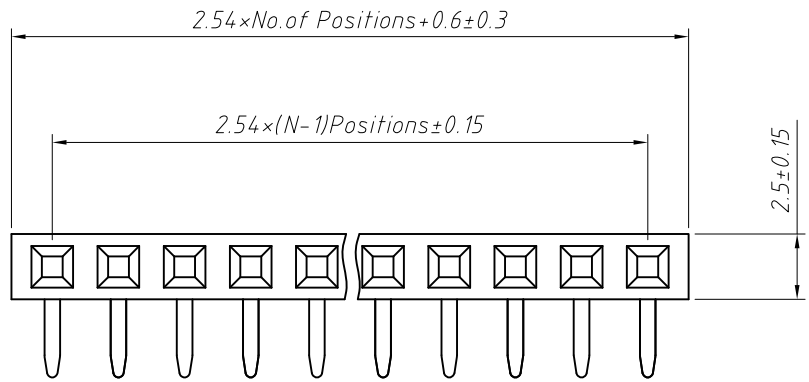
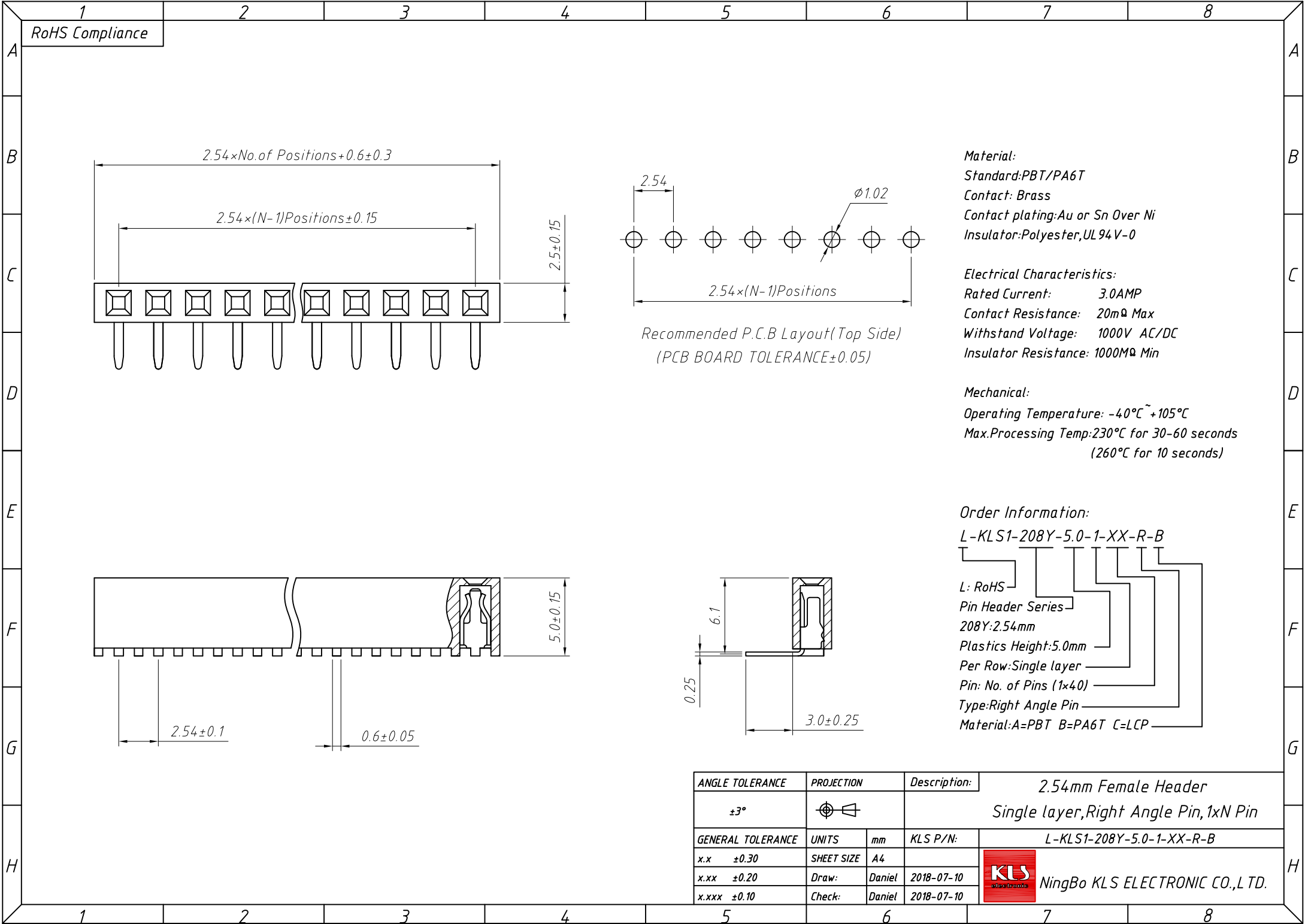
Order Information:

L-KLS1-208Y-5.0-1-XX-S-A

L: RoHS
Pin Header Series
208Y: 2.54mm
Plastics Height: 5.0mm
Per Row: Single layer
Pin: No. of Pins (1x40)
Type: Straight Pin
Material: A=PBT B=PA6T C=LCP

ANGLE TOLERANCE	PROJECTION	Description:	2.54mm Female Header	
±3°		Single layer, Straight Pin, 1xN Pin		
GENERAL TOLERANCE	UNITS	mm	KLS P/N:	L-KLS1-208Y-5.0-1-XX-S-A
x.x ±0.30	SHEET SIZE	A4		
x.xx ±0.20	Draw:	Daniel	2018-07-10	NingBo KLS ELECTRONIC CO.,L TD.
x.xxx ±0.10	Check:	Daniel	2018-07-10	

1
RoHS Compliance



Recommended P.C.B Layout (Top Side)
(PCB BOARD TOLERANCE±0.05)

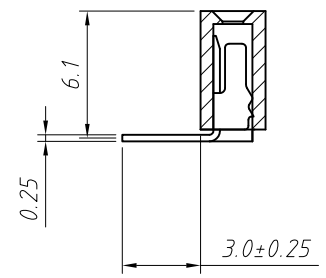
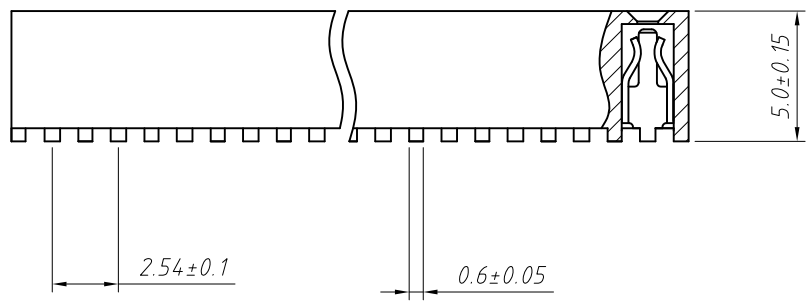
Material:
Standard:PBT/PA6T
Contact: Brass
Contact plating:Au or Sn Over Ni
Insulator:Polyester,UL 94V-0

Electrical Characteristics:
Rated Current: 3.0AMP
Contact Resistance: 20mΩ Max
Withstand Voltage: 1000V AC/DC
Insulator Resistance: 1000MΩ Min

Mechanical:
Operating Temperature: -40°C~+105°C
Max.Processing Temp:230°C for 30-60 seconds
(260°C for 10 seconds)

Order Information:
L-KLS1-208Y-5.0-1-XX-R-B

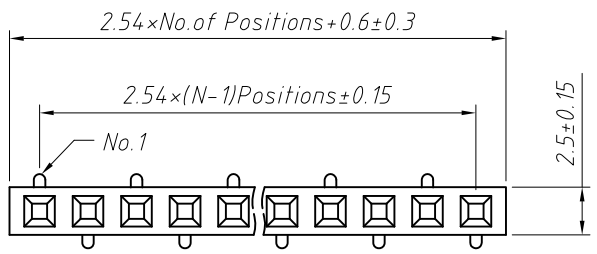
- L: RoHS
- Pin Header Series
- 208Y:2.54mm
- Plastics Height:5.0mm
- Per Row:Single layer
- Pin: No. of Pins (1x40)
- Type:Right Angle Pin
- Material:A=PBT B=PA6T C=LCP



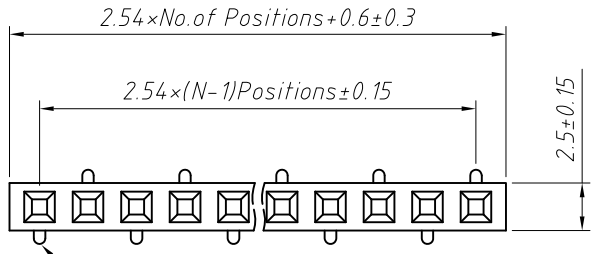
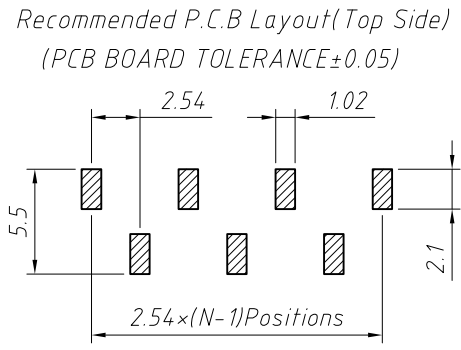
ANGLE TOLERANCE	PROJECTION	Description:	2.54mm Female Header	
±3°			Single layer,Right Angle Pin,1xN Pin	
GENERAL TOLERANCE	UNITS	mm	KLS P/N:	L-KLS1-208Y-5.0-1-XX-R-B
x.x ±0.30	SHEET SIZE	A4		
x.xx ±0.20	Draw:	Daniel	2018-07-10	
x.xxx ±0.10	Check:	Daniel	2018-07-10	

NingBo KLS ELECTRONIC CO.,L TD.

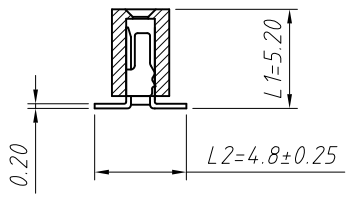
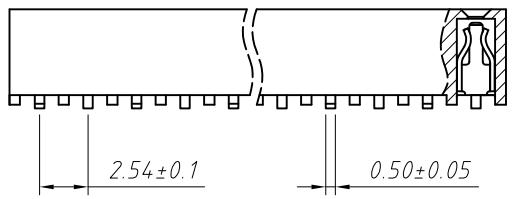
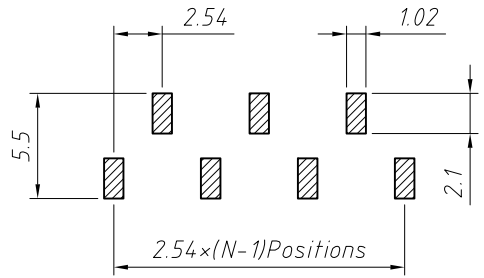
1
RoHS Compliance



T1 Type



T2 Type



Material:
Standard: PA6T
Contact: Brass
Contact plating: Au or Sn Over Ni
Insulator: Polyester, UL 94 V-0

Electrical Characteristics:
Rated Current: 3.0AMP
Contact Resistance: 20mΩ Max
Withstand Voltage: 1000V AC/DC
Insulator Resistance: 1000MΩ Min

Mechanical:
Operating Temperature: -40°C ~ +105°C
Max. Processing Temp: 230°C for 30-60 seconds
(260°C for 10 seconds)

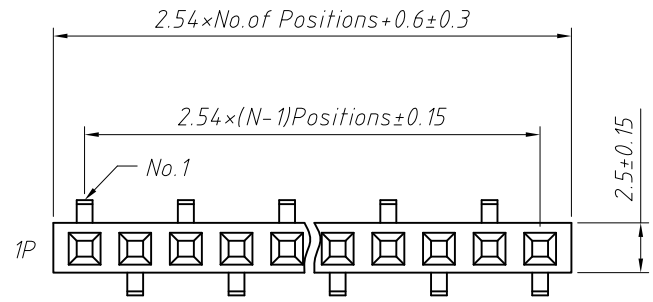
Order Information:
L-KLS1-208Y-5.0-1-XX-T1-L1xL2-N-B-R

L: RoHS
Pin Header Series
208Y: 2.54mm
Plastics Height: 5.0mm
Per Row: Single layer
Pin: No. of Pins (1x40)
SMT Pin: T1 Type, T2 Type
Size: L1xL2
Post: W=With Post N=Without Post
Material: A=PBT B=PA6T C=LCP
Packing:
A=Tray T=Tube M=Reel+Mylar
P=Tube+Cap R=Reel+Cap

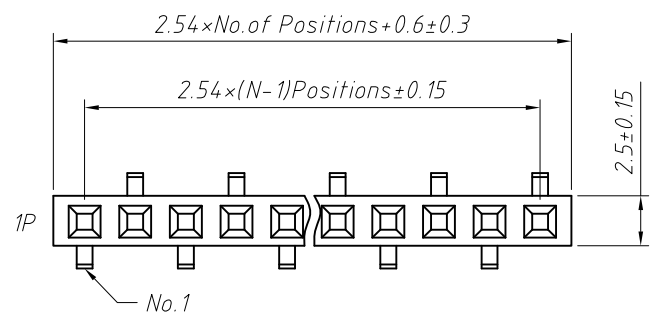
Dimension antitheses list (mm)			
ITEM	L1	L2	Plastic Height
Standard	5.20	4.80	5.00
Nonstandard	---	---	---

ANGLE TOLERANCE	PROJECTION	Description:	2.54mm Female Header Single layer, SMT, 1xN Pin	
±3°				
GENERAL TOLERANCE	UNITS	mm	KLS P/N:	L-KLS1-208Y-5.0-1-XX-T1-L1xL2-N-B-R
x.x ±0.30	SHEET SIZE	A4		NingBo KLS ELECTRONIC CO.,L TD.
x.xx ±0.20	Draw:	Daniel	2018-07-10	
x.xxx ±0.10	Check:	Daniel	2018-07-10	

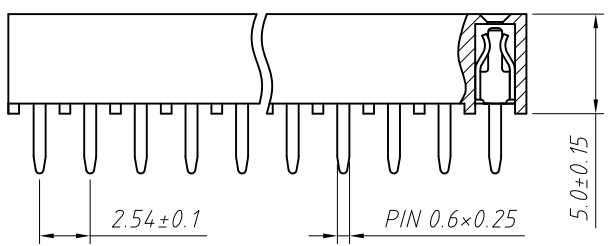
1
RoHS Compliance



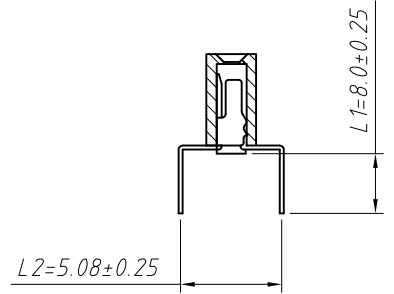
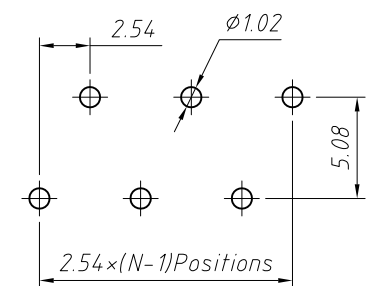
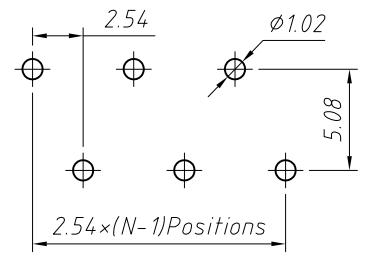
W1 Type



W2 Type



Recommended P.C.B Layout (Top Side)
(PCB BOARD TOLERANCE±0.05)



Material:
Standard:PA6T
Contact: Brass
Contact plating: Au or Sn Over Ni
Insulator: Polyester, UL94V-0

Electrical Characteristics:
Rated Current: 3.0AMP
Contact Resistance: 20mΩ Max
Withstand Voltage: 1000V AC/DC
Insulator Resistance: 1000MΩ Min

Mechanical:
Operating Temperature: -40°C~+105°C
Max.Processing Temp: 230°C for 30-60 seconds
(260°C for 10 seconds)

Order Information:

L-KLS1-208Y-5.0-1-XX-W1-L1xL2-B-A

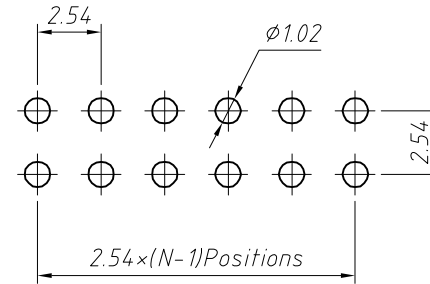
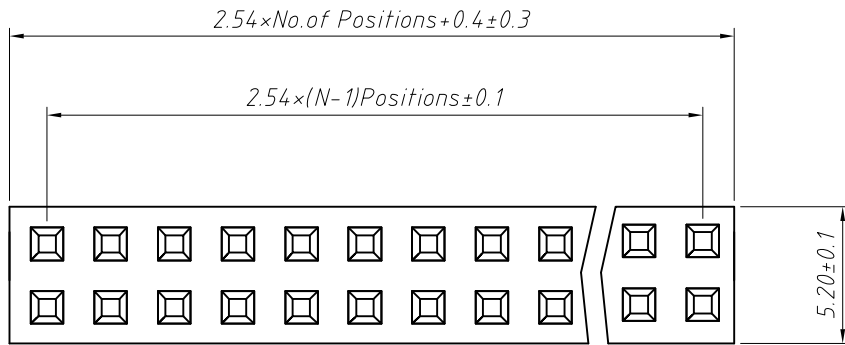
- L: RoHS
- Pin Header Series
- 208Y: 2.54mm
- Plastics Height: 5.0mm
- Per Row: Single layer
- Pin: No. of Pins (1x40)
- Bottom Entry: W1 Type, W2 Type
- Size: L1xL2
- Material: A=PBT B=PA6T C=LCP
- Packing: A=Tray T=Tube

Dimension antitheses list (mm)			
ITEM	L1	L2	Plastic Height
Standard	8.00	5.08	5.00
Nonstandard	---	---	---

ANGLE TOLERANCE	PROJECTION	Description:	2.54mm Female Header	
±3°			Single layer, Bottom Entry, 1xN Pin	
GENERAL TOLERANCE	UNITS	mm	KLS P/N:	L-KLS1-208Y-5.0-1-XX-W1-L1xL2-B-A
x.x ±0.30	SHEET SIZE	A4		
x.xx ±0.20	Draw:	Daniel	2018-07-10	
x.xxx ±0.10	Check:	Daniel	2018-07-10	

NingBo KLS ELECTRONIC CO.,L TD.

1 RoHS Compliance



Recommended P.C.B Layout (Top Side)
(PCB BOARD TOLERANCE ± 0.05)

Material:
Standard: PBT/PA6T
Contact: Brass
Plating: Au or Sn Over 50u" Ni
Insulator: Polyester, UL 94V-0

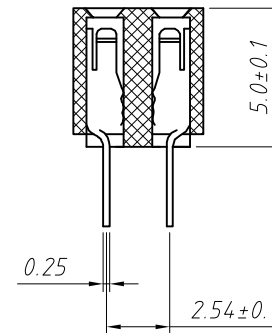
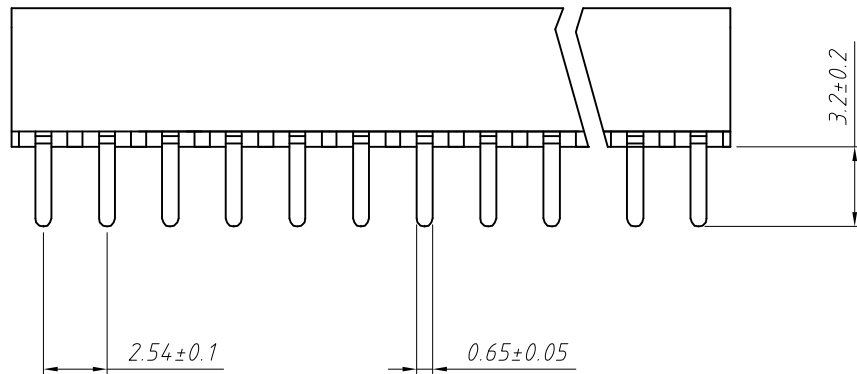
Electrical Characteristics:
Rated Current: 3.0AMP
Contact Resistance: 20mΩ Max
Withstand Voltage: 1000V AC/DC
Insulator Resistance: 1000MΩ Min

Mechanical:
Operating Temperature: -40°C ~ +105°C
Max. Processing Temp: 180°C for 30-60 seconds
(200°C for 10 seconds)

Order Information:

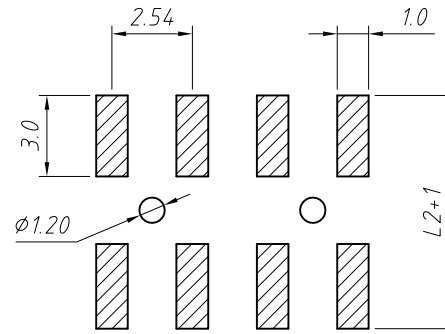
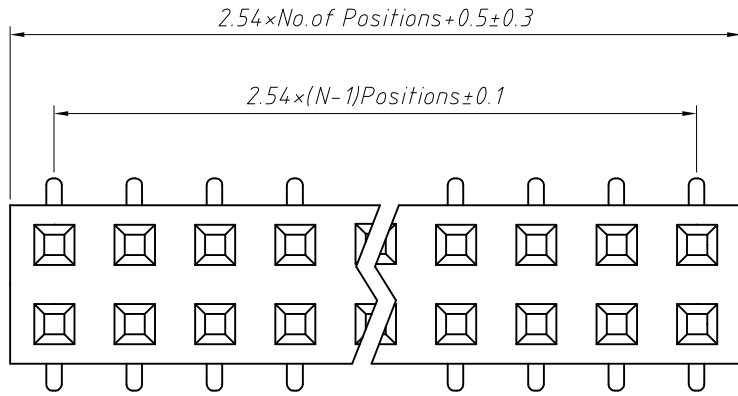
L-KLS1-208Y-5.0-2-XX-S-A

L: RoHS
Pin Header Series
208Y: 2.54mm
Plastics Height: 5.0mm
Per Row: Double layer
Pin: No. of Pins (02 ~ 80)
Type: Straight Pin
Material: A=PBT B=PA6T C=LCP



ANGLE TOLERANCE	PROJECTION	Description:	2.54mm Female Header		
±3°		Double layer, Straight Pin, 2xN Pin			
GENERAL TOLERANCE	UNITS	mm	KLS P/N:	L-KLS1-208Y-5.0-2-XX-S-A	
x.x ±0.30	SHEET SIZE	A4	NingBo KLS ELECTRONIC CO.,L TD.		
x.xx ±0.20	Draw:	Daniel			2018-07-10
x.xxx ±0.10	Check:	Daniel			2018-07-10

1 RoHS Compliance

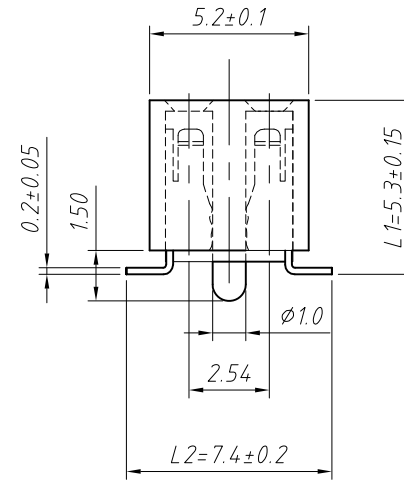
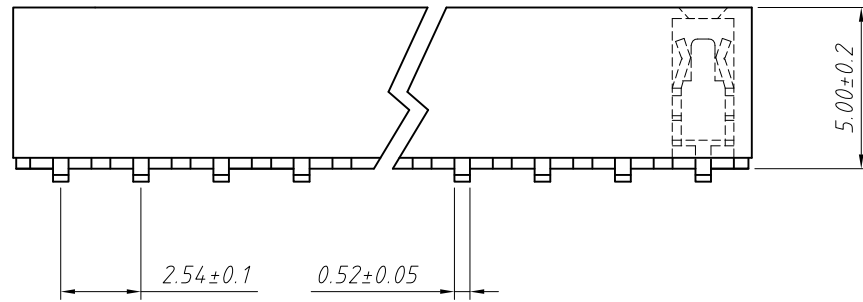


Recommended P.C.B Layout (Top Side)
(PCB BOARD TOLERANCE ± 0.05)

Material:
Standard: PA6T
Contact: Brass
Plating: Au or Sn Over 50u" Ni
Insulator: Polyester, UL 94V-0

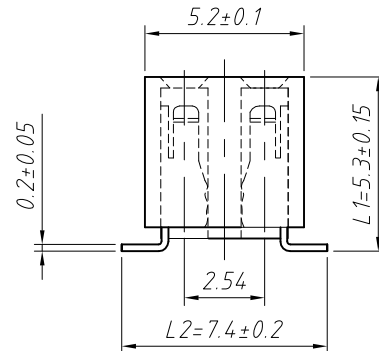
Electrical Characteristics:
Rated Current: 3.0AMP
Contact Resistance: 20mΩ Max
Withstand Voltage: 1000V AC/DC
Insulator Resistance: 1000MΩ Min

Mechanical:
Operating Temperature: -40°C ~ +105°C
Max. Processing Temp: 240°C for 30-60 seconds
(260°C for 10 seconds)



T=Without Post

T3=With Post



Order Information:

L-KLS1-208Y-5.0-2-XX-T-L1xL2-B-R

L: RoHS
Pin Header Series
208Y: 2.54mm
Plastics Height: 5.0mm
Per Row: Double layer
Pin: No. of Pins (02 ~ 80)
SMT: T=Without Post, T3=With Post
Size: L1xL2
Material: A=PBT B=PA6T C=LCP
Packing:
A=Tray T=Tube M=Reel+Mylar
P=Tube+Cap R=Reel+Cap

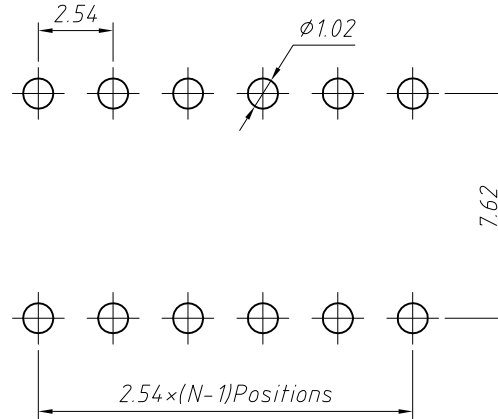
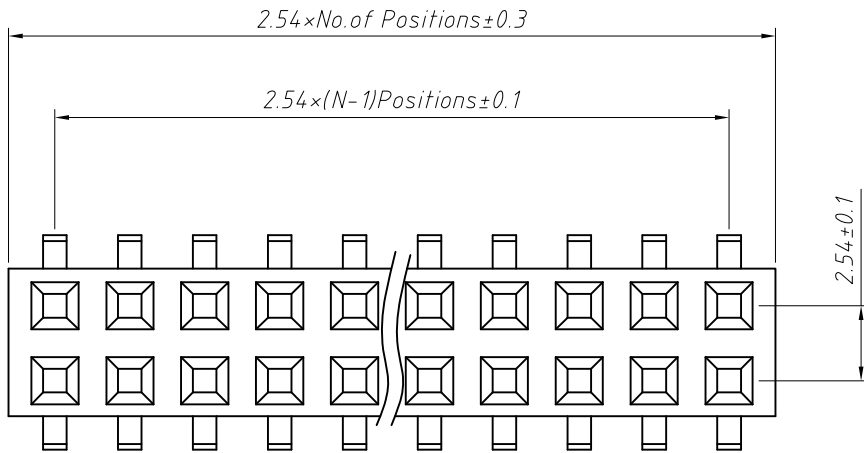
Dimension antitheses list (mm)			
ITEM	L1	L2	Plastic Height
Standard	5.30	7.40	5.00
Nonstandard	---	---	---

ANGLE TOLERANCE	PROJECTION	Description:
±3°		2.54mm Female Header Double layer, SMT, 2xN Pin
GENERAL TOLERANCE	UNITS	mm
x.x ±0.30	SHEET SIZE	A4
x.xx ±0.20	Draw:	Daniel 2018-07-10
x.xxx ±0.10	Check:	Daniel 2018-07-10



NingBo KLS ELECTRONIC CO.,L TD.

1 RoHS Compliance

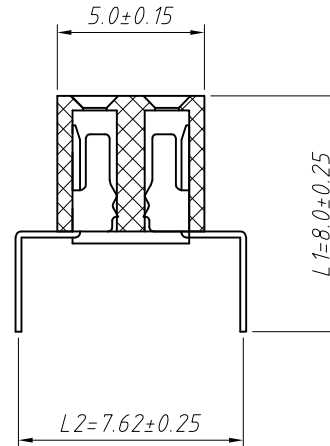
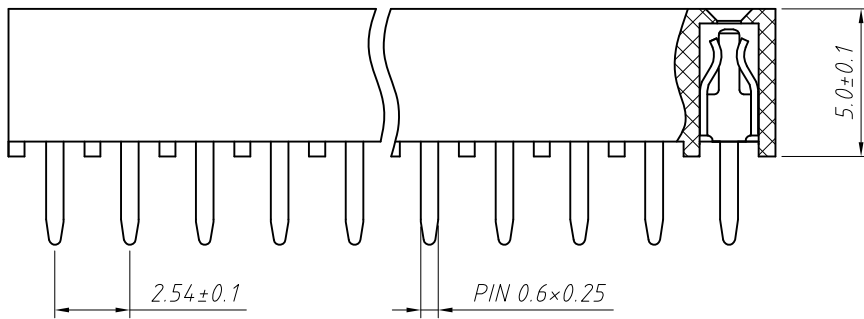


Recommended P.C.B Layout (Top Side)
(PCB BOARD TOLERANCE ± 0.05)

Material:
Standard: PA6T
Contact: Brass
Plating: Au or Sn Over 50u" Ni
Insulator: Polyester, UL 94 V-0

Electrical Characteristics:
Rated Current: 3AMP
Contact Resistance: 20mΩ Max
Withstand Voltage: 1000V AC/DC
Insulator Resistance: 1000MΩ Min

Mechanical:
Operating Temperature: -40°C ~ +105°C
Max. Processing Temp: 180°C for 30-60 seconds
(200°C for 10 seconds)



Order Information:
L-KLS1-208Y-5.0-2-XX-W-L1xL2-B-A

- L: RoHS
- Pin Header Series
- 208Y: 2.54mm
- Plastics Height: 5.0mm
- Per Row: Double layer
- Pin: No. of Pins (02 ~ 80)
- Type: Bottom Entry
- Size: L1xL2
- Material: A=PBT B=PA6T C=LCP
- Packing: A=Tray T=Tube

Dimension antitheses list (mm)			
ITEM	L1	L2	Plastic Height
Standard	8.00	7.62	5.00
Nonstandard	---	---	---

ANGLE TOLERANCE	PROJECTION	Description:
±3°		2.54mm Female Header Double layer, Straight Pin, 2xN Pin
GENERAL TOLERANCE	UNITS	mm
x.x ±0.30	SHEET SIZE	A4
x.xx ±0.20	Draw:	Daniel 2018-07-10
x.xxx ±0.10	Check:	Daniel 2018-07-10



NingBo KLS ELECTRONIC CO., L TD.