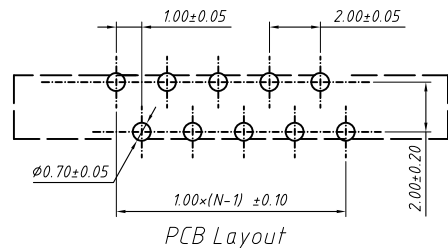


Proper Cable



**Material**  
 Housing: LCP UL94V-0  
 Lock: PA46, UL94V-0  
 Plug spring: Phosphor Bronze, Gold/Tin

**Electrical**  
 Voltage rating: 50 V  
 Current Rating: 0.5 A  
 Withstanding Voltage: 500 V  
 Insulation resistance: 800MΩ.Min.  
 Contact resistance: 20 mΩ.Max.

**Mechanical**  
 Temp. Range: -25 °C ~ +85 °C

**Order Information**

L-KLS1- 1240E - XX -S-A-T

RoHS

Series No.

No. of pins(02~35 pins)

S-Straight Pin

A-Anti-needle

Pack: T-Tube

GENERAL TOLERANCE		ANGLE TOLERANCE		PROJECTION		Description:	
X.	±0.15	X.	±5°	UNITS	mm	CONN FFC 1.00mm, Anti-needle, THR, 180°, with ZIF L-KLS1-1240E-XX-S-A-T	
.X	±0.03	.X	±3°	SHEET SIZE	A4		
.XX	±0.05	.XX	±2°	KLS P/N:			

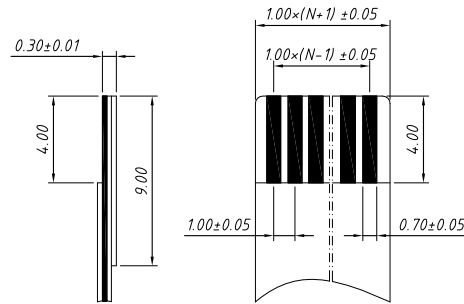
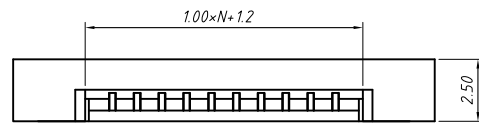
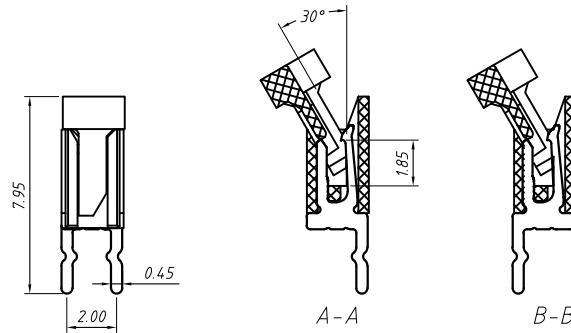
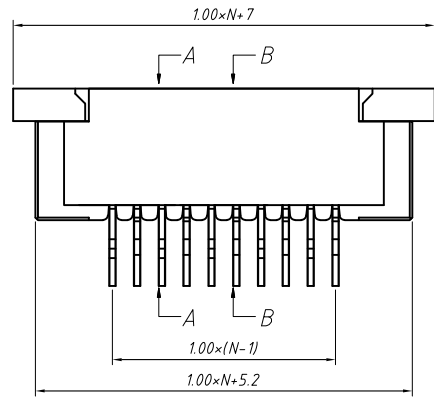
Draw by: Date 2018-03-10

Check by: Date 2018-03-10

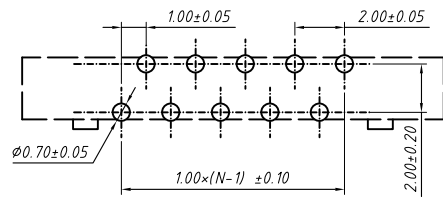
SCALE SHEET OF



NingBo KLS ELECTRONIC CO.,LTD.



Proper Cable



PCB Layout

**Material**  
Housing: LCP UL94V-0  
Lock: PA46, UL94V-0  
Plug spring: Phosphor Bronze, Gold/Tin

**Electrical**  
Voltage rating: 50 V  
Current Rating: 0.5 A  
Withstanding Voltage: 500 V  
Insulation resistance: 800MΩ.Min.  
Contact resistance: 20 mΩ.Max.

**Mechanical**  
Temp. Range: -25 °C ~ +85 °C

**Order Information**

L-KLS1- 1240E - XX -S-P-T

RoHS  
Series No.

No. of pins (02 ~ 35 pins)  
S-Straight Pin  
P-Positive needle  
Pack: T-Tube

GENERAL TOLERANCE	ANGLE TOLERANCE	PROJECTION	Description:
X. ±0.15	X. ±5°	UNITS	CONN FFC 1.00mm,
.X ±0.03	.X ±3°	SHEET SIZE	Positive needle, THR, 180°, with ZIF
.XX ±0.05	.XX ±2°	KLS P/N:	L-KLS1-1240E-XX-S-P-T

Draw by: Date	2018-03-10
Check by: Date	2018-03-10
SCALE	SHEET OF



NingBo KLS ELECTRONIC CO.,LTD.