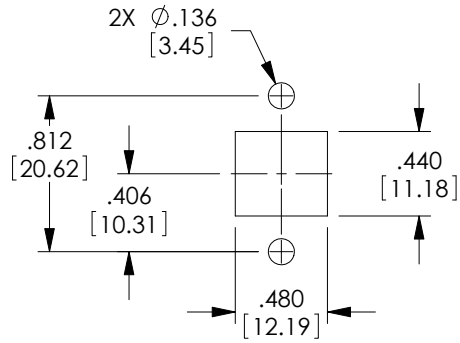
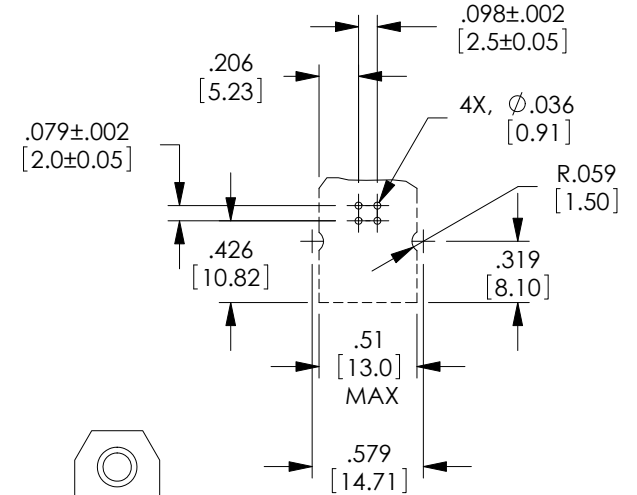
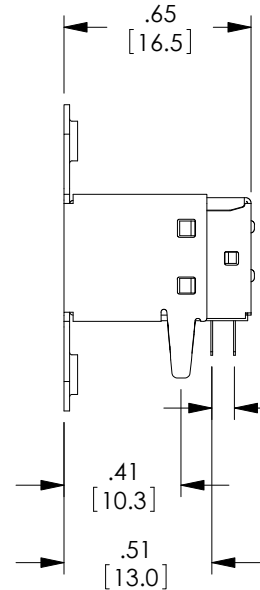
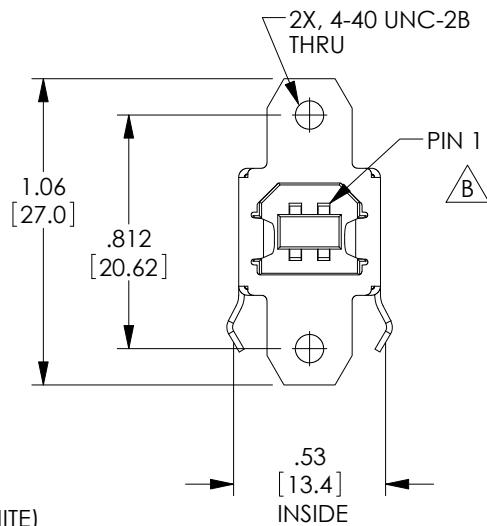
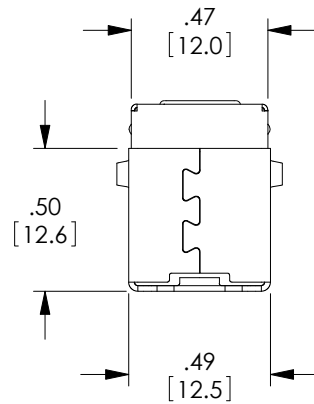


THE INFORMATION CONTAINED IN THIS DRAWING IS THE SOLE PROPERTY OF L-COM, INC. ANY REPRODUCTION IN PART OR WHOLE WITHOUT THE WRITTEN PERMISSION OF L-COM, INC. IS PROHIBITED.

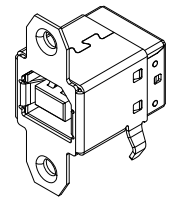
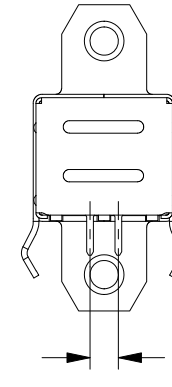
REVISIONS			
REV	DESCRIPTION	DATE	APPROVED
A	INITIAL RELEASE	12/16/11	D.GRIFFIN
B	ECN 6627: REVISED PIN 1 POSITION	1/16/13	D.FRISIELLO



RECOMMENDED  
PANEL CUTOUT



RECOMMENDED  
PCB CUTOUT



NOTES:

MATERIAL:  
CONTACTS: BRASS  
INSULATOR: PBT, UL94V-0 RATED (WHITE)  
SHELL: BRASS

FINISH:  
CONTACT: 30µ INCH SELECTIVE GOLD  
SHELL: NICKEL

ELECTRICAL CHARACTERISTICS:  
CONTACT CURRENT RATING: 1.5 AMPERES.  
DIELECTRIC WITHSTANDING VOLTAGE: AC 500V R.M.S.  
INSULATION RESISTANCE: 1000 MEGOHMS MINIMUM  
CONTACT RESISTANCE: 30 MILLIOHMS MAXIMUM  
OPERATING TEMPERATURE: -55°C +85°C.

ALL DIMENSIONS ARE FOR REFERENCE ONLY.

COMPONENT SHALL BE PACKAGED IN QUANTITY OF 10 PER BAG  
IN ACCORDANCE WITH L-COM SPECIFICATION PS-0031.

RoHS Compliant ✓

UNLESS OTHERWISE SPECIFIED, DIMENSIONS ARE IN INCHES [mm] OVERALL CABLE LENGTH TOLERANCE: ≤12 [305] = +1 [25] / -0 >12 [305] ≤60 [1524] = +2 [51] / -0 >60 [1524] ≤120 [3048] = +4 [102] / -0 >120 [3048] ≤300 [7620] = +6 [152] / -0 >300 [7620] = +3% / -0% ALL OTHER DIMENSIONAL TOLERANCES: .X = ± .2 .XX = ± .02 .XXX = ±.005	APPROVALS DRAWN BY D.FRISIELLO CHECKED BY D.PARHAM APPROVED BY S.SMITH	DATE 11/30/11 11/30/11 11/30/11		45 BEECHWOOD DRIVE NORTH ANDOVER, MA 01845	
	CONFIGURATION DETAILS OF UNDIMENSIONED FEATURES MAY VARY			CATEGORY <b>USB</b>	
	PROJECTION 	COLOR VARIATIONS MAY OCCUR	SIZE <b>A</b>	FSCM NO. <b>43321</b>	DWG. NO. <b>UC-B-PMT</b>
	SCALE: NONE			CAD FILE: UC-B-PMT.SLDDRW	SHEET 1 OF 1