

INDUCTORS

Radial Shielded Power Inductors FSB Series

Features:

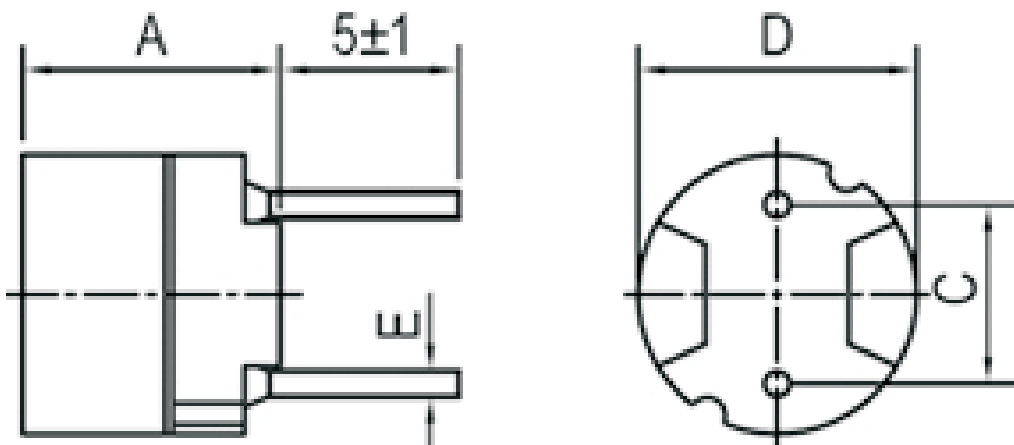
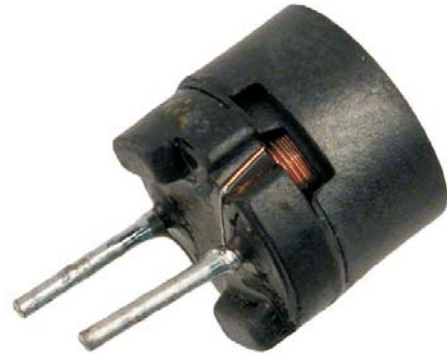
- *No inductive interference
- *RoHS compliant.

Applications

- *Video cameras
- *Portable VCRs
- *Audio equipments
- *Other circuits of consideration against radiation

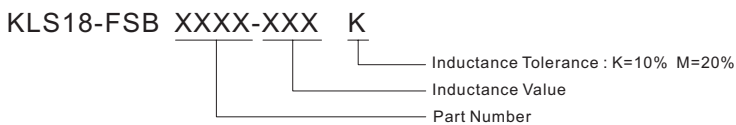
Test equipment:

- *L: HP4284A Precision LCR meter @1kHz 0.25V
- *Q: HP4285A Precision LCR meter.
- *DCR : Millilil-ohm meter
- *SRF : HM9461 L-SRF meter or equivalent.



P/N	D Max.	A Max.	C	E±0.05
FSB0606	6.5	6.5	4.0±0.5	0.55
FSB0807	8.3	7.5	5.0±0.5	0.65
FSB1014	11.0	14	5.0±1.0	0.80

ORDER INFORMATION



INDUCTORS

Radial Shielded Power Inductors FSB Series

XIX

PART NO.	L (uH) @1kHz	TESTING FREQ.(MHZ)	DCR (Ω) MAX	Rated current (mA) Max.
FSB0606-220L	22	2.52MHz	0.13	960
FSB0606-270L	27	2.52MHz	0.18	870
FSB0606-330L	33	2.52MHz	0.21	780
FSB0606-390L	39	2.52MHz	0.26	720
FSB0606-470L	47	2.52MHz	0.29	660
FSB0606-560K	56	2.52MHz	0.33	600
FSB0606-680K	68	2.52MHz	0.36	550
FSB0606-820K	82	2.52MHz	0.39	500
FSB0606-101K	100	1KHz	0.54	450
FSB0606-121K	120	1KHz	0.62	410
FSB0606-151K	150	1KHz	0.72	370
FSB0606-181K	180	1KHz	0.88	340
FSB0606-221K	220	1KHz	0.99	300
FSB0606-271K	270	1KHz	1.52	270
FSB0606-331K	330	1KHz	1.69	250
FSB0606-391K	390	1KHz	1.85	230
FSB0606-471K	470	1KHz	2.85	210
FSB0606-561K	560	1KHz	3.21	190
FSB0606-681K	680	1KHz	3.60	170
FSB0606-821K	820	1KHz	4.87	160
FSB0606-102K	1000	1KHz	5.65	140

INDUCTORS

Radial Shielded Power Inductors FSB Series

XIX

PART NO.	L (μH) @1kHz	TESTING FREQ.(MHZ)	DCR (Ω) MAX	Rated current (mA) Max.
FSB0807-220L	22	2.52MHz	0.08	1600
FSB0807-270L	27	2.52MHz	0.10	1400
FSB0807-330L	33	2.52MHz	0.14	1300
FSB0807-390L	39	2.52MHz	0.15	1200
FSB0807-470L	47	2.52MHz	0.17	1100
FSB0807-560K	56	2.52MHz	0.19	990
FSB0807-680K	68	2.52MHz	0.21	890
FSB0807-820K	82	2.52MHz	0.27	810
FSB0807-101K	100	1KHz	0.32	740
FSB0807-121K	120	1KHz	0.36	670
FSB0807-151K	150	1KHz	0.51	600
FSB0807-181K	180	1KHz	0.57	550
FSB0807-221K	220	1KHz	0.76	500
FSB0807-271K	270	1KHz	0.86	450
FSB0807-331K	330	1KHz	0.97	410
FSB0807-391K	390	1KHz	1.28	370
FSB0807-471K	470	1KHz	1.44	340
FSB0807-561K	560	1KHz	1.61	310
FSB0807-681K	680	1KHz	2.07	280
FSB0807-821K	820	1KHz	2.33	260
FSB0807-102K	1000	1KHz	2.72	230
FSB0807-122K	1200	1KHz	3.98	210
FSB0807-152K	1500	1KHz	4.50	190
FSB0807-182K	1800	1KHz	6.81	170
FSB0807-222K	2200	1KHz	7.56	160
FSB0807-272K	2700	1KHz	8.54	140
FSB0807-332K	3300	1KHz	9.74	130
FSB0807-392K	3900	1KHz	12.9	120
FSB0807-472K	4700	1KHz	14.7	110
FSB0807-562K	5600	1KHz	20.4	99
FSB0807-682K	6800	1KHz	23.0	89
FSB0807-822K	8200	1KHz	30.6	81
FSB0807-103K	10000	1KHz	35.0	74

INDUCTORS

Radial Shielded Power Inductors FSB Series



PART NO.	L (mH) @1kHz	Q (Min.)	TESTING FREQ.(MHZ)	DCR (Ω) MAX	Rated current (mA) Max.
FSB1014-122K	1.2	50	252 kHz	1.2	200
FSB1014-152K	1.5	50	252 kHz	1.5	200
FSB1014-182K	1.8	50	252 kHz	1.6	200
FSB1014-222K	2.2	50	252 kHz	1.8	200
FSB1014-272K	2.7	40	252 kHz	1.9	200
FSB1014-332K	3.3	40	252 kHz	2.3	200
FSB1014-392K	3.9	40	252 kHz	2.5	200
FSB1014-472K	4.7	40	252 kHz	3.7	140
FSB1014-502K	5.0	40	252 kHz	3.8	140
FSB1014-562K	5.6	40	252 kHz	4.0	140
FSB1014-682K	6.8	40	252 kHz	4.2	140
FSB1014-822K	8.2	40	252 kHz	5.3	140
FSB1014-103K	10	100	79.6 kHz	7.3	100
FSB1014-123K	12	100	79.6 kHz	8.3	100
FSB1014-153K	15	100	79.6 kHz	11.0	90
FSB1014-183K	18	100	79.6 kHz	13.6	75
FSB1014-223K	22	100	79.6 kHz	15.4	75
FSB1014-273K	27	100	79.6 kHz	17.9	75
FSB1014-333K	33	100	79.6 kHz	23.3	60
FSB1014-393K	39	100	79.6 kHz	25.9	60
FSB1014-473K	47	80	79.6 kHz	30.4	60
FSB1014-503K	50	80	79.6 kHz	37.8	50
FSB1014-563K	56	80	79.6 kHz	39.1	50
FSB1014-683K	68	50	79.6 kHz	40	50
FSB1014-823K	82	50	79.6 kHz	47	40
FSB1014-104K	100	120	25.2 kHz	50	40
FSB1014-124K	120	100	25.2 kHz	91	30
FSB1014-154K	150	90	25.2 kHz	140	20
FSB1014-184K	180	90	25.2 kHz	164	20
FSB1014-224K	220	90	25.2 kHz	182	20
FSB1014-274K	270	90	25.2 kHz	200	20
FSB1014-334K	330	80	25.2 kHz	275	15
FSB1014-394K	390	80	25.2 kHz	300	15
FSB1014-474K	470	80	25.2 kHz	345	15
FSB1014-564K	560	60	25.2 kHz	520	8.4
FSB1014-684K	680	60	25.2 kHz	590	8.4
FSB1014-824K	820	50	25.2 kHz	675	8.4
FSB1014-105K	1000	50	25.2 kHz	770	8.4
FSB1014-125K	1200	50	25.2 kHz	845	8.4