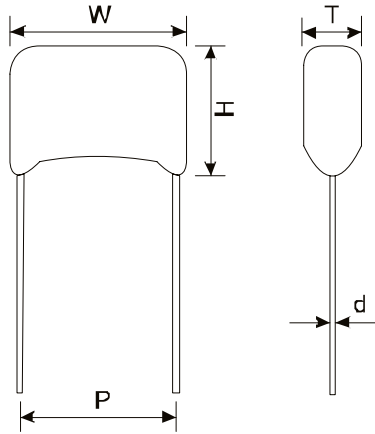


## Film Capacitors Series

### Metallized Polypropylene Film Capacitor Type: CBB21



#### Construction

Dielectric Polypropylene Film  
Electrodes Aluminum Metalization  
Winding non-inductive type  
Leads Tinned Wire  
Outer coating Flame retarding epoxy resin

#### Features

Very low loss at high frequency, suitable for higher current  
Very small inherent temperature rise  
Suitable for S-correction of color TVs which require small size and excellent performance  
High insulation resistance, excellent self-healing properties  
Widely used in DC, pulse, high frequency and large current circuits

#### Specifications

Reference Standard: GB 10190 (IEC60384-16)  
Rated Voltage: 200Vdc, 250Vdc, 400Vdc, 630Vdc  
Rated temperature: +85°C  
Operating Temperature Range: -40°C~+85°C  
Capacitance Range: 0.01µF~3.3µF  
Capacitance Tolerance : ±5%(J); ±10%(K); ±20%(M);  
Dissipation Factor: ≤0.001 (20°C, 1KHz)  
Insulation Resistance: R≥25000MΩ, C<sub>R</sub>≤0.33µF (20°C, 1min) R≥7500s, C<sub>R</sub>>0.33µF  
Voltage Proof: 2U<sub>R</sub> (5s)

## ORDER INFORMATION

Product No.:	KLS10 - CBB21 - XXX	X	XX - P10		
Pos.No.	Product Name:	CAPACITANCE	TOL.	Rated Voltage	Pitch
	Metallized Polypropylene Film Capacitor	IN 3DIGITS 332=0.0033uF 104= 0.1uF 474= 0.47uF 105= 1uF	K= ± 10% J= ± 5%	100=100VDC 250=250VDC	P10=10mm P15=15mm

## Metallized Polypropylene Film Capacitor Type: CBB21

Cap. (uF) Size unit:m/m

R. V.	50/100VDC					250VDC					400VDC					630VDC				
	W	H	T	P	d	W	H	T	P	d	W	H	T	P	d	W	H	T	P	d
Size	Max	Max	Max	1	0.05	Max	Max	Max	1	0.05	Max	Max	Max	1	0.05	Max	Max	Max	1	0.05
0.0068											11	9	6	7.5	0.6	13	10	6	10	0.6
0.01						11	9	6	7.5	0.6	11	9	6	7.5	0.6	13	12	7	10	0.6
0.015						11	10	6	7.5	0.6	11	9	6	7.5	0.6	13	12	8	10	0.6
0.022	11	10	6	7.5	0.6	13	10	6	10	0.6	13	10	6	10	0.6	13	14	9	10	0.6
0.027	11	10	6	7.5	0.6	13	10	6	10	0.6	13	10	6	10	0.6	13	14	9	10	0.6
0.033	11	10	6	7.5	0.6	13	10	6	10	0.6	13	11	7	10	0.6	19	14	8	15	0.8
0.047	13	11	6	10	0.6	13	10	6	10	0.6	13	13	8	10	0.6	19	15	9	15	0.8
0.068	13	11	6	10	0.6	13	11	6	10	0.6	19	13	7	15	0.8	19	16	10	15	0.8
0.1	13	11	7	10	0.6	19	11	7	15	0.8	19	14	8	15	0.8	24	18	11	20	20
0.15	19	12	7	15	0.8	19	12	7	15	0.8	19	16	9	15	0.8	24	19	12	20	20
0.22	19	12	7	15	0.8	19	13	7	15	0.8	24	15	9	20	0.8	31	19	12	27.5	27.5
0.33	19	12	8	15	0.8	19	15	8	15	0.8	24	18	11	20	0.8	31	22	15	27.5	27.5
0.47	19	14	8	15	0.8	24	14	8	20	0.8	31	19	12	27.5	0.8	31	24	15	27.5	27.5
0.82	19	16	9	15	0.8	24	16	10	20	0.8	31	21	14	27.5	0.8	35	29	16	32.5	1
1	24	18	11	20	0.8	31	17	10	27.5	0.8	31	25	16	27.5	0.8	42	31	18	37.5	1
1.5	31	18	11	27.5	0.8	31	19	12	27.5	0.8	35	26	18	32.5	1	42	35	22	37.5	1
2.2	31	19	13	27.5	0.8	31	22	15	27.5	0.8	42	30	18	37.5	1	42	40	26	37.5	1
3.3	31	22	15	27.5	0.8	31	26	17	27.5	0.8	42	38	22	37.5	1					
4.7	35	24	14	32.5	1	35	28	20	32.5	1										
6.8	42	30	17	37.5	1	42	33	19	37.5	1										
10	42	33	19	37.5	1	42	38	22	37.5	1										
0.68											17.5	14	7.5	15	0.7					



• The above dimensions are for reference only. The final dimensions are subject to our specifications.

## ORDER INFORMATION

Product No.:	KLS10 - CBB21 - XXX	X	XX - P10
Pos.No.	Product Name:	CAPACITANCE	TOL.
	Metallized Polypropylene Film Capacitor	IN 3DIGITS	K= ± 10%
		332=0.0033uF	J= ± 5%
		104= 0.1uF	Rated Voltage
		474= 0.47uF	100=100VDC
		105= 1uF	250=250VDC
			Pitch
			P10=10mm
			P15=15mm